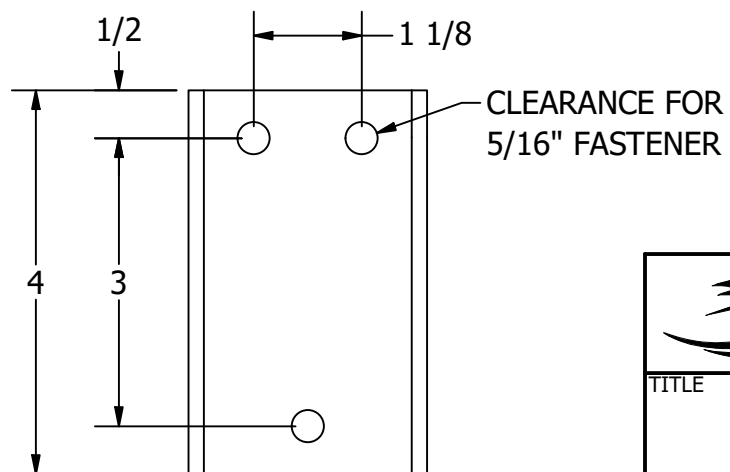
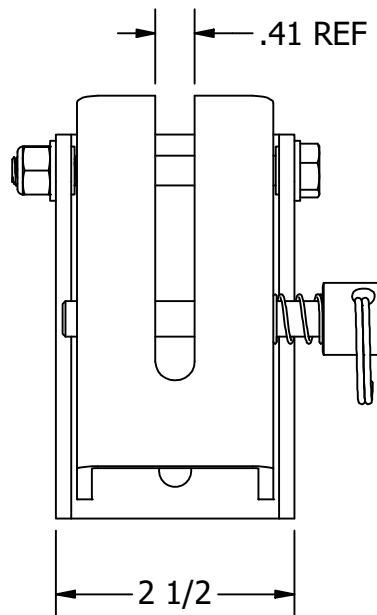
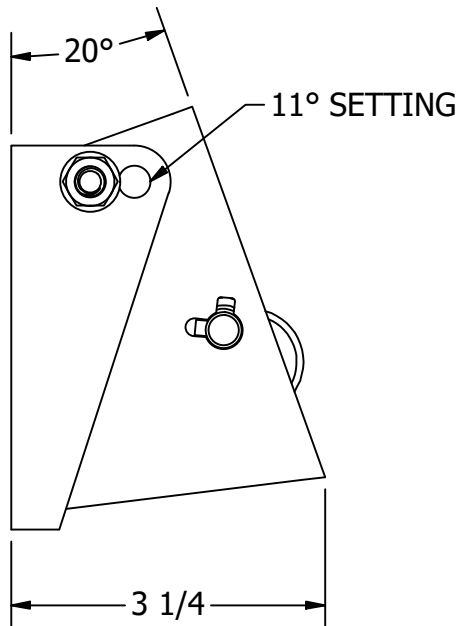


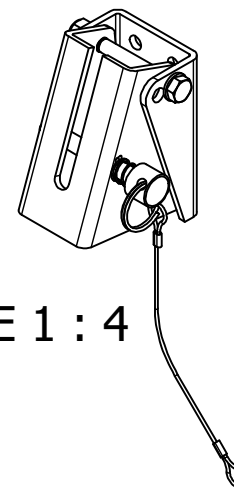
NOTES:

1. FITS AM1303S.


FOR REFERENCE ONLY



BRACKET VIEW



SCALE 1 : 4

		WHITE WATER MARINE HARDWARE	
		TITLE BREAK AWAY DIVE LADDER BRACKET PART NUMBER: AMB2-BA	
SIZE A		DWG NO WWMH-AMB2-BA CC	REV 0
SCALE 1 : 2	MATERIAL	SHEET 1 OF 1	