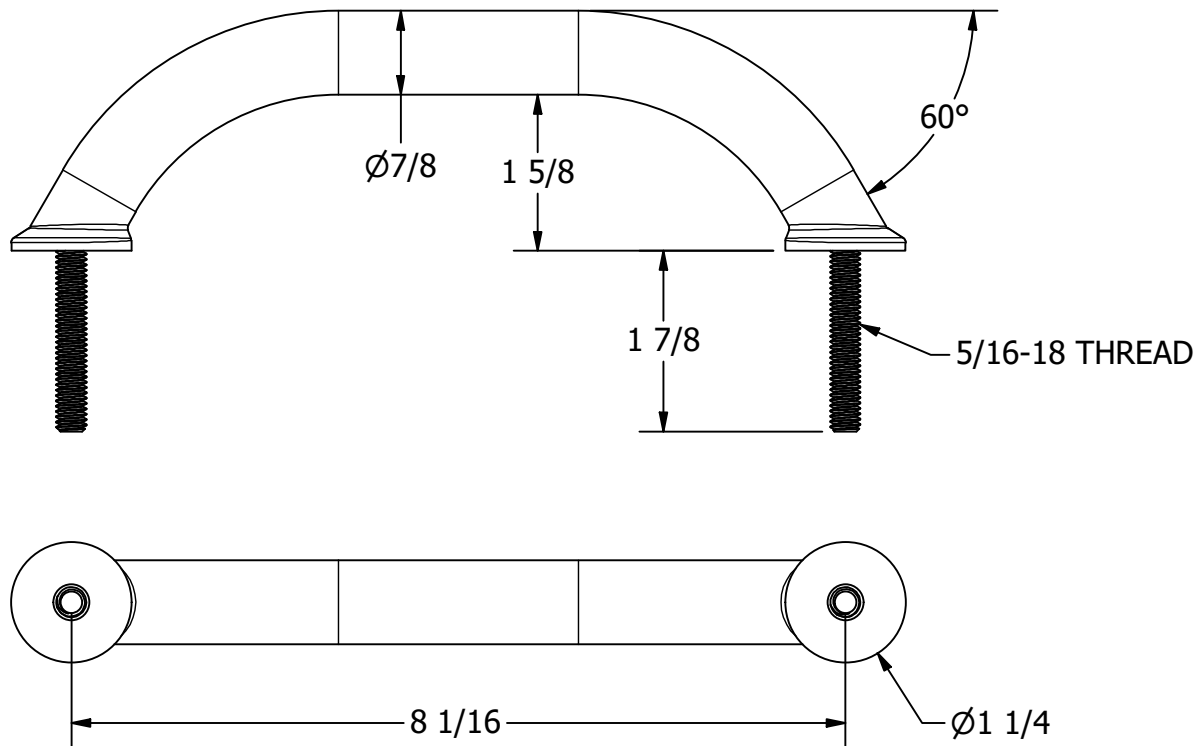


# FOR REFERENCE ONLY



|   |                                    |   |  |
|---|------------------------------------|---|--|
|  |                                    | <b>WHITE WATER</b><br>MARINE HARDWARE                                     |  |
|   |                                    | TITLE<br><b>316 SS ALT ANGLED GRAB RAIL W/ STUD</b><br>PART NUMBER: 7904S |  |
| SIZE<br><b>A</b>  | DWG NO<br><b>WWMH-7904S CC</b>     | REV<br><b>0</b>   |  |
| SCALE<br><b>1 : 2</b>   | MATERIAL<br><b>Stainless Steel</b> | SHEET <b>1</b> OF <b>1</b>  |  |