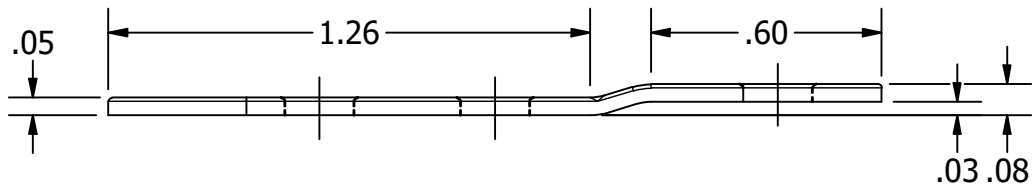
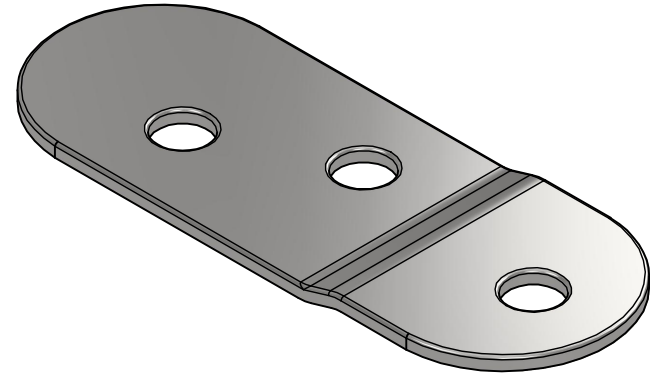
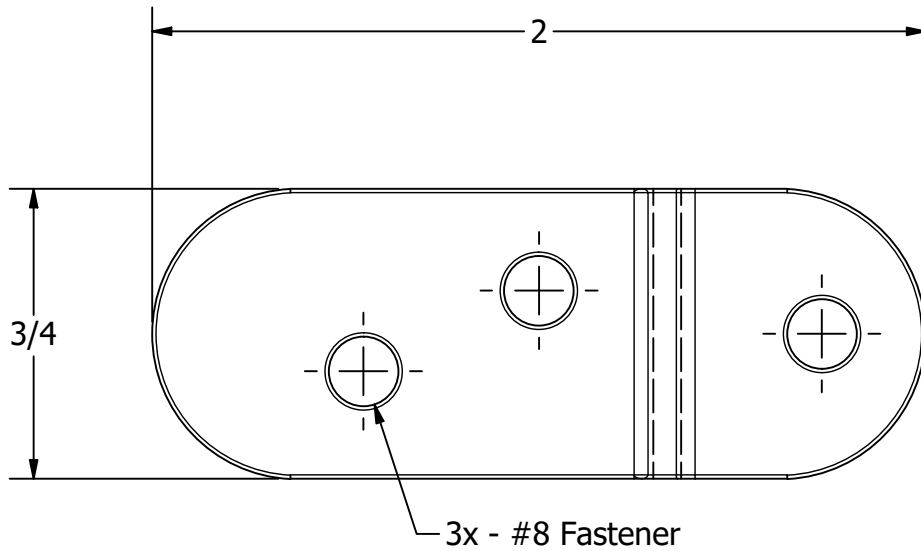


FOR REFERENCE ONLY



UNLESS OTHERWISE SPECIFIED:
 BREAK ALL SHARP EDGES
 DIMENSIONS ARE IN INCHES
 TOLERANCES:
 FRACTIONAL: $\pm 1/16$
 DECIMAL: X.X $\pm .05$
 X.XX $\pm .01$
 X.XXX $\pm .005$
 ANGULAR: $\pm 1^\circ$
 FINISH: 120Ra

PROPRIETARY AND CONFIDENTIAL
 THE INFORMATION CONTAINED IN THIS
 DRAWING IS THE SOLE PROPERTY OF WHITE
 WATER MARINE HARDWARE. ANY REPRODUCTION
 IN PART OR AS A WHOLE WITHOUT WRITTEN
 PERMISSION IS PROHIBITED.



WHITE WATER
 MARINE HARDWARE

TITLE			
316 SS Upholstery Clip, 2 x 3/4"			
PART NUMBER: 50300S-316			
SIZE	DRAWING NO.		REV
A	WWMH-50300S-316 CC		0
SCALE	DRAWN	DATE	SHEET 1 OF 1
2 : 1	JVT	4/28/2023	