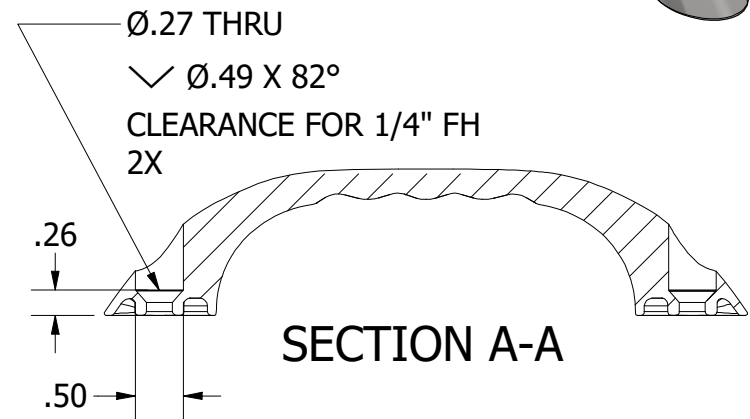
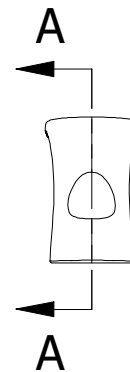
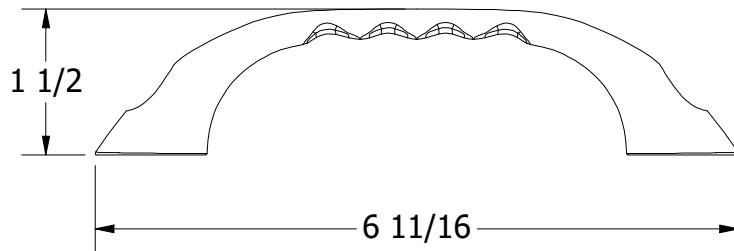
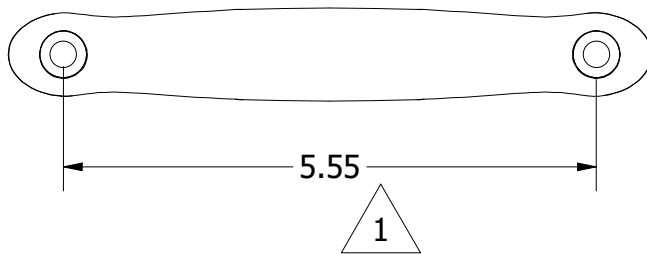


NOTES:

1. MATERIAL: 316 STAINLESS STEEL
2. FINISH: HIGH POLISH

| REVISION HISTORY | | |
|------------------|--|----------|
| REV | DESCRIPTION | DATE |
| 1 | 5.55" WAS 5-1/2", MINOR PROFILE CORRECTIONS, ECN1054 | 12/15/25 |



UNLESS OTHERWISE SPECIFIED:
 BREAK ALL SHARP EDGES
 DIMENSIONS ARE IN INCHES
 TOLERANCES:
 FRACTIONAL: $\pm 1/16$
 DECIMAL: $X.X \pm .05$
 $X.XX \pm .01$
 $X.XXX \pm .005$
 ANGULAR: $\pm 1^\circ$
 FINISH: 120Ra



WHITE WATER
 MARINE HARDWARE

TITLE
TOP MOUNTED GRAB RAIL
PART NUMBER: 7921S

PROPRIETARY AND CONFIDENTIAL
 THE INFORMATION CONTAINED IN THIS
 DRAWING IS THE SOLE PROPERTY OF WHITE
 WATER MARINE HARDWARE. ANY REPRODUCTION
 IN PART OR AS A WHOLE WITHOUT WRITTEN
 PERMISSION IS PROHIBITED.

| | | |
|-----------------------|----------------------------------|----------------------------|
| SIZE A | DRAWING NO. WWMH-7921S | REV 1 |
| SCALE 1 : 2 | DRAWN RC | DATE 8/6/2024 |
| | | SHEET 1 OF 1 |