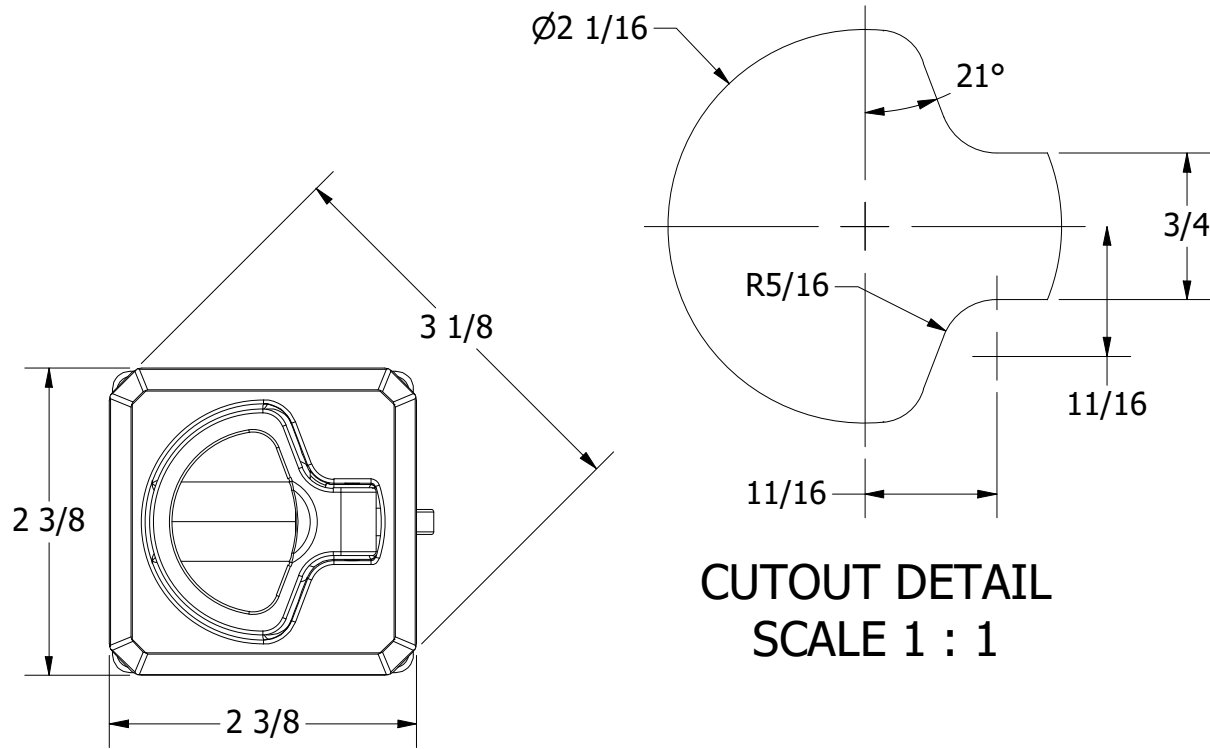
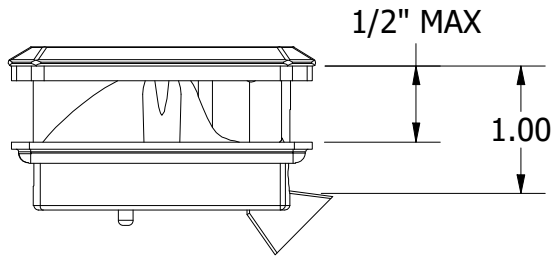
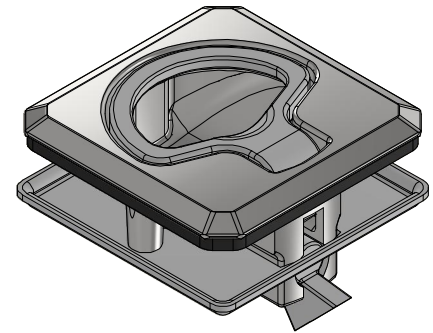



NOTES:

1. SIMILAR TO 7116S



CUTOUT DETAIL  
SCALE 1 : 1



		<b>WHITE WATER</b> MARINE HARDWARE	
		TITLE <b>SQUARE SLAM LATCH</b> PART NUMBER: 7117S (RD176)	
SIZE	DRAWING NO.		REV
A	WWMH-7117S		0
SCALE	DRAWN	DATE	SHEET 1 OF 1
2 : 3	KSR	10/25/2023	

**PROPRIETARY AND CONFIDENTIAL**  
 THE INFORMATION CONTAINED IN THIS  
 DRAWING IS THE SOLE PROPERTY OF WHITE  
 WATER MARINE HARDWARE. ANY REPRODUCTION  
 IN PART OR AS A WHOLE WITHOUT WRITTEN  
 PERMISSION IS PROHIBITED.