



WHITE WATER

MARINE HARDWARE

White Water Marine Hardware



Products Built to Last

Established 1982

Catalog No. 33.5

Catalog No. 33.5



WHITE WATER

MARINE HARDWARE

www.whitewatermh.com

Manufacturing excellence for over 40 years

Follow Us!



@whitewatermh



@whitewater_mh



@whitewater_mh



@whitewatermh



@whitewatermh



WHITE WATER

MARINE HARDWARE



White Water Marine Hardware has been in the business of innovative product design and manufacturing for over 40 years. We began as an OEM supplier for boat manufacturers and later saw the opportunity to provide manufacturing support to other OEMs and marine hardware distributors.

We own and operate three factories which enables us to provide our customers with competitive pricing and top quality stainless steel marine hardware.

These brands specify White Water Marine Hardware as original components on their boats



ABOUT US



GREAT PEOPLE PROVIDING QUALITY PARTS AND SERVICE

White Water Marine Hardware has two distribution centers in the USA. Strategically located on both the East and West Coast, this network allows us flexibility in responding to customer needs through:

- Minimized time differences (Pacific Time vs. Eastern Time)
- Shorter transit times and reduced freight costs
- Combined order fulfillment procedures aimed at better inventory flow

We take great pride in our ability to understand and respond to our customers' needs. White Water Marine Hardware delivers exceptional products and unmatched service. We meet our customers' expectations for consistent quality, on-time delivery and truly competitive pricing time and time again.

Thank you very much for considering White Water Marine Hardware for your hardware needs.



California | West Coast Office

14716 Central Avenue
Chino, CA. 91710
Tel: (909) 393-6100



Florida | East Coast Office

13663 Automobile Boulevard
Clearwater, FL. 33762
Tel: (727) 572-8871

MANUFACTURING CAPABILITIES

White Water Marine Hardware owns and operates several manufacturing facilities overseas. Our manufacturing capabilities include:

- Precision Casting in 316 Stainless Steel
- Metal Fabrication
- CNC Machining
- Plastic Injection Molding
- Welding
- Polish, Passivation, and other types of metal finishing

MATERIAL STANDARDS

FABRICATION

The marine industry standard for fabricated items is 304 Stainless. 316 Stainless is available upon request.

CASTING

The marine industry standard for cast items is 316 Stainless. 316L Stainless is available upon request.

PRICING

Prices are effective through December 30th of the calendar year. New pricing will be available by October before the new year and will be effective January 1st.

CREDIT

Customers may apply for an open line of credit by filling out the necessary forms and pending approval. Alternatively, orders may be shipped COD or paid by credit card to avoid delay.

White Water reserves the right to revoke or change credit terms contingent upon the customer's payment history. Notice will be provided to the customer of any changes in credit terms.

INVENTORY / LEAD TIME

White Water Marine Hardware will maintain certain inventory levels for our standard product line and custom products requested by the customer on White Water Marine Hardware's Custom Stock Agreement form. These products will ship either from our California or Florida warehouse location with a 1 - 5 business day lead time.

All products excluded from our standard inventory and the Custom Stock Agreement form may require up to a 60 - 90 business day lead time depending on item availability.

CUSTOM ORDERS

Custom parts are available provided minimum quantity requirements and sufficient lead time is provided. All custom orders are non-refundable. Custom orders require a deposit to begin manufacturing.

FREIGHT POLICY

All shipments are F.O.B. either our California or Florida Warehouse. Always inspect your incoming order for any damages or shortages and report any issues to White Water Marine Hardware within 30 days of receipt.

3RD PARTY DROP SHIP POLICY

Our drop ship program is free of handling charges. Shipping and freight charges do apply.

In order to increase efficiency and avoid losses, delays, damages, and billing issues, we will use our preferred shipping carriers and the shipping/freight charges will be added prepaid onto your invoice. Services offered are UPS, USPS, and LTL carriers. This only affects customers who request third party billing, freight collect customers are not affected.

RETAIL PACKAGING

Retailers and Distributors may purchase items in retail display packaging. Please let your sales representative know if your account will require retail display packaging and we will mark your account accordingly in our system.

Standard display packaging may consist of injection molded shells with logo inserts, shells with logo cardboard backing, and poly bags with card headers.

WARRANTY AND RETURNS

WARRANTY:

White Water Marine Hardware warrants to the original purchaser that the hardware will be free from defects in material or workmanship, under normal use and service, for (1) year after the purchase date if used under normal circumstances and provided any defect(s) are not the result of: (i) installation method; (ii) customer or third-party abuse or misuse; (iii) failure to adhere to Seller's instructions; (iv) wear or deterioration due to environmental conditions except as otherwise may be specifically stated in Seller's product literature; (v) an accident; (vi) lack of proper maintenance; (vii) unauthorized repair(s), alteration(s), or modification(s); and (viii) any other causes not arising out of defects in material or workmanship. Buyer shall give written notice to Seller within 20 days of the discovery of any alleged defect within such one (1) year period.

Under this warranty, White Water Marine Hardware's obligations are limited to repair of the product at one of White Water Marine Hardware's plants, or replacement of the product at White Water Marine Hardware's discretion and at White Water Marine Hardware's expense. Any expenses involved in the removal, re-installation, or transportation of the products are not covered by this warranty.

This document contains White Water Marine Hardware's only express warranty of the product. This warranty is expressly made in lieu of any other incidental or consequential costs, expenses or damages. This warranty gives the purchaser specific legal rights, and the purchaser may also have other rights which vary from state to state.

RETURNS AND EXCHANGES:

All returns must have prior authorization and must be requested within 30 days of original purchase.

Returns are handled on a case-by-case basis, some returns may be subject to a 20% restocking fee.

A Return Merchandise Authorization (RMA) number issued by White Water and a copy of the original invoice must accompany all returns. Returned items must be unused, in original packaging, with no visible damage.

Shipping costs are non-refundable with exceptions for defective or damaged product. The buyer is responsible for the return shipping costs/fees. Refunds are limited to cost of item only.

The acceptance by White Water Marine Hardware of any product(s) that a customer has returned shall not be deemed an admission of the defect/damage of said product or violation of the warranty.

DAMAGE OR LOSS DURING TRANSIT:

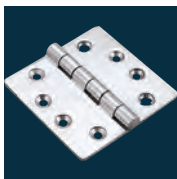
It is the responsibility of the carrier for damages or loss of product while in transit. In the case of such a damage or shortage, please take the following steps:

1. Please note the damage or loss with the carrier by the carrier's claims line or online form.
For LTL shipments please note it on the Bill of Lading.
2. Take photo documentation for the claims process.
3. Note which items and quantities are affected.

Please send the documentations list above to White Water Marine Hardware within 3 business days of receipt for us to assist in the claims process.

PRODUCTS, CONTENT, AND SPECIFICATIONS

We reserve the right to improve items contained within this catalog without prior notification. Although we strive to ensure that product information within our catalog is correct, typographical errors may occur and provide you with inaccurate or incomplete information. Similarly, all features, content, specifications, of products described within this catalog are subject to change at any time without notice. Certain weights, measures and descriptions are approximate and are provided for your convenience purpose only.



I-IV ABOUT US

4-8 ROD HOLDERS

Stainless Steel Rod Holders
Rod Holders with Caps
Outrigger Pole Holders

9-15 ANCHORING AND MOORING

Anchor Rollers and Wheel Replacements
Anchor Swivels and Chain Stoppers
Deck Pipes
Hawse Pipes
Mooring Bitts

16-33 BOARDING LADDERS & STEP HARDWARE

Telescoping Ladders
Transom Ladders
Sliding Ladders
Under Platform Mounts
Dive Ladders
Replacement Gudgeons

34-43 CLEATS, CHOCKS, LIFTING EYE, SKI TOWS

Herreshoff and Mooring Cleats
Skene, Bow, Angled Chocks
Lifting Eyes and Slings
Bow and Stern Eyes
Ski Tows
Pad Eyes

44-51 CANVAS TOP FITTINGS AND ACCESSORIES

Jaw Slides
Top Caps / Outside Eye Ends
Top Inserts / Inside Eye Ends
Deck Hinges
Toggle and Quick Release Pins
Black Knobs with Set Screws
Eye Straps
Cover Support Poles

52-60 GRAB RAILS AND RAIL FITTINGS

Rail Bases
Tees, Elbows, and Connectors
Handrail Stanchions
Stanchion Poles and Bases
Grab Rails

61-80 DOOR & CABINET HARDWARE, AND BRACKETS

Hinges
Door Holders, Hooks, Barrel Bolts, Catches, Hasps
Handles and Pulls

81-85 LATCHES

Cabinet Latches
Slam Latches
Compression Latches

86-88 STEERING WHEELS

Destroyer Wheels
Sport Wheels


89-91 VENTILATION

Cowl Vents and Deck Plates
 Midget, Louvered, Slotted Vents


92-104 PLUMBING

Deck Fills
 Tank Vents
 Exhausts
 Thru-Hulls
 Drainage


105-115 DECK HATCHES

Low Profile Deck Hatches
 Friction Hinge Low Profile Deck Hatches
 Deck Hatch Options
 Deck Hatch Accessories


**116-125 STAINLESS FORMED PORTLIGHTS
 (Fully Customizable)**

Opening Formed Portlights
 Fixed Formed Portlights
 Portlight Options
 Portlight Accessories


126-131 STAINLESS STAMPED AND ECONOMY PORTLIGHTS

Opening Stamped Portlights
 Opening Economy Portlights
 Fixed Stamped Portlights


132-134 WINDOWS

Stainless Windows
 Automatic Sliding Windows
 Automatic Opening Windows


135-136 COMPANIONWAY DOORS

Sliding Companionway Doors
 Hinged Companionway Doors
 Sliding Companionway Hatch


137-143 SALON DOORS

Flush Salon Doors
 Curved Salon Doors
 Swing Salon Doors


144-154 MISCELLANEOUS HARDWARE

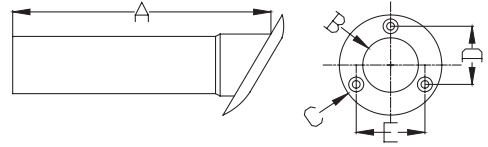
Boat Hooks and Clips
 Outboard Motor Brackets
 Pelican Hooks
 Drink Holders
 Lights
 Antenna Mounts
 Flag Pole and Flag Pole Holders
 Trim Rings
 Swim Platform Brackets

153-157 INDEX
158 CALIFORNIA PROPOSITION 65 OVERVIEW

Heavy Duty Rod Holder



- Sold by Each
- Round Flange
- 316 Stainless Steel Cast Flange
- 304 Stainless Steel Tube
- Fastener 1/4" FH
- White PE Liner
- CA Prop 65*



PART NO.	ANGLE	A	B	C	D	E
53320S	30°	9-1/4"	1-5/8"	4"	2-3/8"	2-3/4"
53321S	15°	9"	1-5/8"	4"	2-3/8"	2-3/4"
53322S	0°	8"	1-5/8"	4"	2-3/8"	2-3/4"

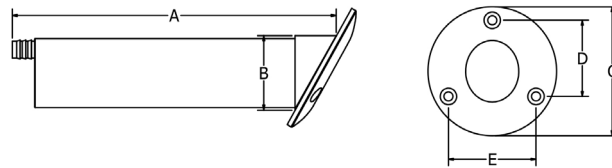
Heavy Duty Rod Holder with Closed Drain



- Sold by Each
- Round Flange
- Closed Bottom with 1/2" Drain Tail
- 316 Stainless Steel Cast Flange
- 304 Stainless Steel Tube
- Fastener 1/4" FH
- White PE Liner
- CA Prop 65*



PART NO.	ANGLE	A	B	C	D	E
53320SC	30°	9-3/4"	2-1/4"	3-7/8"	2-5/16"	2-11/16"
53321SC	15°	9-3/8"	2-1/4"	3-7/8"	2-5/16"	2-11/16"
53322SC	0°	8-3/4"	2-3/16"	3-7/8"	2-5/16"	2-11/16"

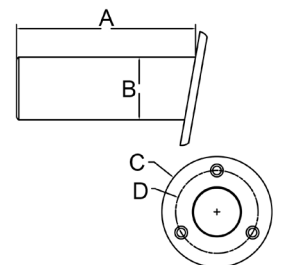


10° Aluminum Rod Holder



- Sold by Each
- Round Flange
- Aluminum Body
- CA Prop 65*

PART NO.	ANGLE	A	B	C	D
53331AL	10°	5-1/2"	1-7/8"	3-1/2"	2-5/8"



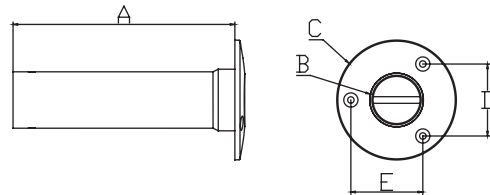
 * **WARNING:** Cancer and Reproductive Harm - www.P65warnings.ca.gov - See page 158 to learn more about California Proposition 65

Round Flange Rod Holder with White Liner

- Sold by Each
- Round Flange
- 316 Stainless Steel Cast Flange
- 304 Stainless Steel Tube
- Fastener 1/4" FH
- White PE Liner
- CA Prop 65*



PART NO.	ANGLE	A	B	C	D	E
53314S	0°	8-1/16"	1-5/8"	3-17/32"	2-3/8"	2-1/16"

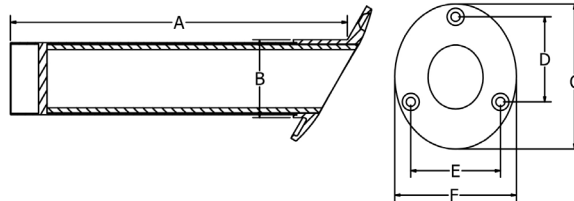


Rod Holder with White Liner

- Sold by Each
- Oval Flange
- 316 Stainless Steel Cast Flange
- 304 Stainless Steel Tube
- Fastener 1/4" FH
- White PE Liner
- CA Prop 65*



PART NO.	ANGLE	A	B	C	D	E	F
53315S	30°	9-1/2"	2-1/4"	4-1/4"	2-1/2"	2-5/8"	3-9/16"
53316S	15°	8-1/16"	2-1/4"	4-3/4"	2-5/8"	2-5/8"	3-11/16"
53317S	0°	9-1/2"	2-3/16"	4-1/4"	2-1/2"	2-5/8"	3-9/16"

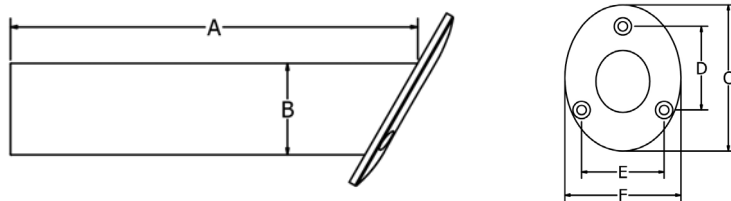


Rod Holder with Black Liner

- Sold by Each
- Oval Flange
- 316 Stainless Steel Cast Flange
- 304 Stainless Steel Tube
- Fastener 1/4" FH
- Black PE Liner
- CA Prop 65*



PART NO.	ANGLE	A	B	C	D	E	F
56135SP	30°	9"	2"	4-1/4"	2-7/16"	2-3/8"	3-3/8"
56135SP15	15°	9-1/8"	2"	4-1/4"	2-7/16"	2-3/8"	3-3/8"
56135SP00	0°	9"	2"	4-1/4"	2-7/16"	2-3/8"	3-3/8"



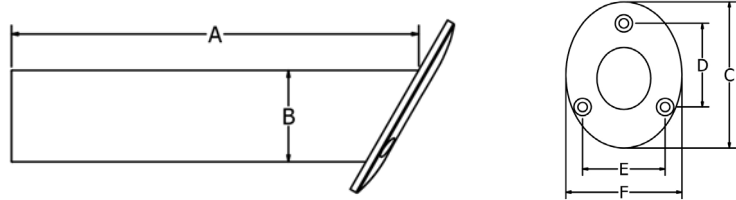
 * **WARNING:** Cancer and Reproductive Harm - www.P65warnings.ca.gov - See page 158 to learn more about California Proposition 65

Rod Holder with Black Liner and Cap



- Sold by Each
- Oval Flange
- 316 Stainless Steel Cast Flange
- 304 Stainless Steel Tube
- Fastener 1/4" FH
- Black PE liner with Cap
- CA Prop 65*

PART NO.	ANGLE	A	B	C	D	E	F
56136SP	30°	9"	1-5/8"	4-1/4"	2-1/2"	2-3/8"	3-1/2"
56136SPC	Replacement PVC cap only for 56136SP						

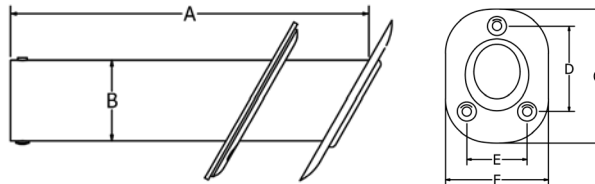


Light Duty Rod Holder



- Sold by Each
- Oblong Flange
- 304 Stainless Steel Stamped Flange
- 304 Stainless Steel Tube
- Fastener 1/4" FH
- 30° Angle
- Black PVC Liner
- CA Prop 65*

PART NO.	ANGLE	FLANGE SIZE	A	B	C	D	E	F
57738S	30°	3-1/2" x 4-9/16"	9"	2"	4-5/8"	2-15/16"	2-1/8"	3-5/8"
57738S00	0°	3-1/2" x 4-9/16"	9"	2"	4-5/8"	2-15/16"	2-1/8"	3-5/8"

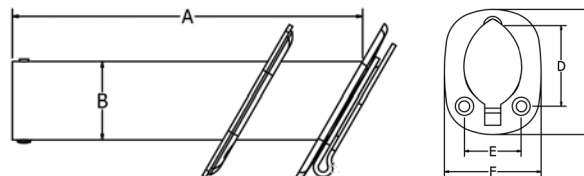


Light Duty Rod Holder with Cap



- Sold by Each
- Oblong Flange
- 304 Stainless Steel Stamped Flange
- 304 Stainless Steel Tube
- Fastener 1/4" FH
- Black PVC Liner with Cap
- CA Prop 65*

PART NO.	ANGLE	FLANGE SIZE	A	B	C	D	E	F
57739S	30°	3-1/16" x 4-9/16"	9"	2"	4-1/2"	3"	2-1/8"	3-1/2"
57739S00	0°	3-1/16" x 4-9/16"	8-1/4"	2"	4-9/16"	2-15/16"	2-1/8"	3-9/16"



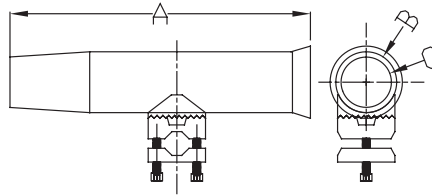
 * WARNING: Cancer and Reproductive Harm - www.P65warnings.ca.gov - See page 158 to learn more about California Proposition 65

Tapered Clamp-On Adjustable Rod Holder



- Sold by Each
- 316 Stainless Steel Clamp
- 304 Stainless Steel Tube
- Fastener 1/4"
- White PVC Liner
- Versatile Design Allows a Full 360° Adjustment
- For 3/4"—1-1/4" Tube
- CA Prop 65*

PART NO.	A	B	C
53300SL	9-3/4"	2-1/4"	1-5/8"

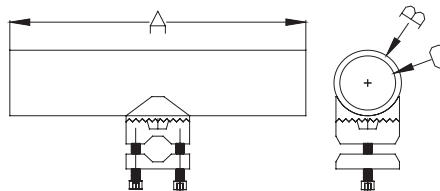


Economy Clamp-On Rod Holder



- Sold by Each
- 316 Stainless Steel Clamp
- 304 Stainless Steel Tube
- Fastener 1/4" FH
- Black PVC Liner
- Versatile Design Allows a Full 360° Adjustment
- For 7/8"—1" Tube
- CA Prop 65*

PART NO.	A	B	C
53301SS	9-1/4"	2-1/4"	1-5/8"

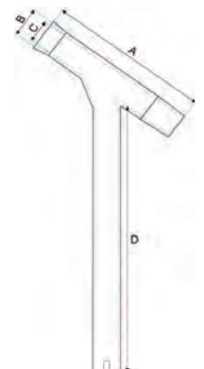


Outrigger Rod Holder with White Powder Coating



- Sold by Each
- 304 Stainless Steel
- White Powder Coating
- CA Prop 65*

PART NO.	A	B	C	D
53308S-W	10"	2-1/8"	1-3/4"	17"



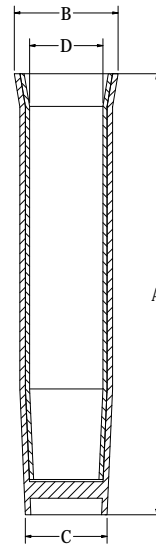
 * WARNING: Cancer and Reproductive Harm - www.P65warnings.ca.gov - See page 158 to learn more about California Proposition 65

Aluminum Weld-On Rod Holder



- Sold by Each
- Aluminum
- White Powder Coating
- CA Prop 65*

PART NO.	A	B	C	D
53303AL	10"	2-3/8"	1-7/8"	1-11/16"

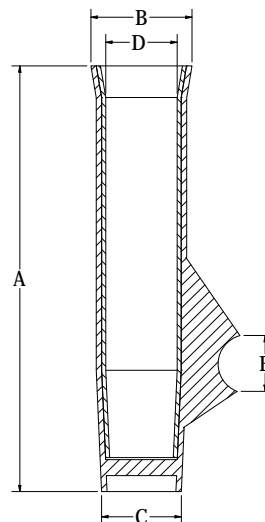


Aluminum Weld-On Rod Holder with Blade



- Sold by Each
- Aluminum
- White Powder Coating
- CA Prop 65*

PART NO.	A	B	C	D	E
53304AL	10"	2-3/8"	1-7/8"	1-11/16"	1-5/16"

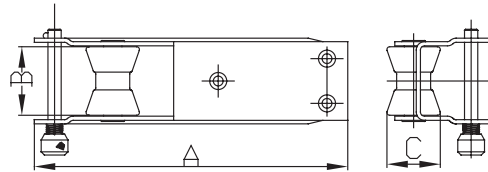


Anchor Roller



- Sold by Each
- 304 Stainless Steel Stamped
- Fastener 5/16" FH
- CA Prop 65*

PART NO.	THICKNESS	FINISH	A	B	C
ARSST-01	5/32"	Polished	7"	2"	1-1/2"

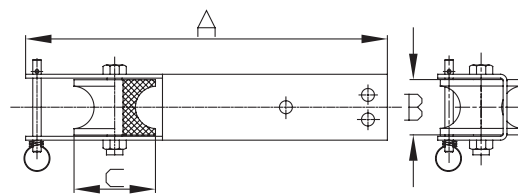


Long Fairlead Anchor Roller



- Sold by Each
- 304 Stainless Steel Stamped
- Fastener 3/8" FH
- CA Prop 65*

PART NO.	THICKNESS	FINISH	A	B	C
ARSW-03	5/32"	Satin	11"	1-3/4"	2-1/2"
AR7552S	1/8"	Polished	11"	1-3/4"	2-1/2"

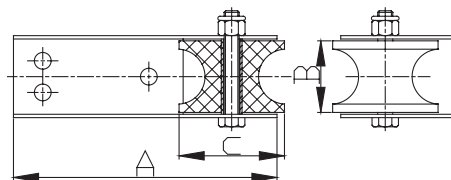


Small Fairlead Anchor Roller



- Sold by Each
- 304 Stainless Steel Stamped
- Fastener 3/8" FH
- CA Prop 65*

PART NO.	THICKNESS	FINISH	A	B	C
ARSW-02	5/32"	Satin	6-1/4"	1-3/4"	2-1/2"
AR7550S	5/64"	Polished	6-1/4"	1-3/4"	2-1/2"

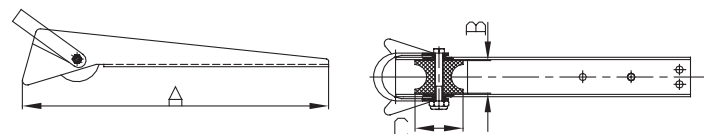


Small Anchor Roller



- Sold by Each
- 304 Stainless Steel Stamped
- Fastener 3/8" FH
- CA Prop 65*

PART NO.	THICKNESS	FINISH	A	B	C
AR7557S	1/8"	Satin	15-1/4"	1-3/4"	2-1/2"

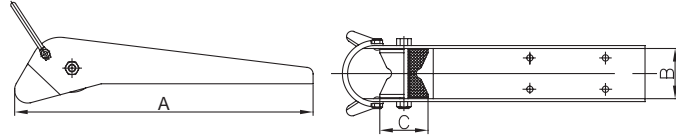


Medium Anchor Roller



- Sold by Each
- 304 Stainless Steel Stamped
- Fastener 5/16" Hex Head
- CA Prop 65*

PART NO.	THICKNESS	FINISH	A	B	C
ARWU-04	3/16"	Satin	18"	3"	3"

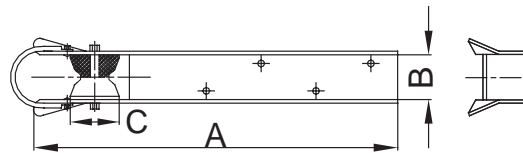


Narrow Anchor Roller



- Sold by Each
- 304 Stainless Steel Stamped
- Fastener 3/8" FH
- CA Prop 65*

PART NO.	THICKNESS	FINISH	A	B	C
ARWC-01	3/16"	Satin	19-7/8"	2-1/2"	2-3/4"
ARWC-01HP	3/16"	Polished	19-7/8"	2-1/2"	2-3/4"

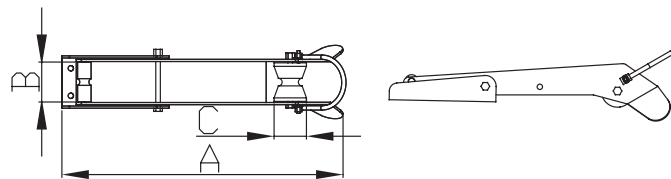


Pivoting Anchor Roller



- Sold by Each
- 304 Stainless Steel Stamped
- Fastener 3/8" FH
- CA Prop 65*

PART NO.	THICKNESS	FINISH	A	B	C
AR7561S	1/8"	Polished	20-1/2"	3"	2-3/8"

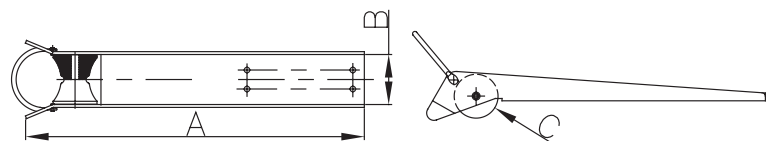


Long Platform Anchor Roller



- Sold by Each
- 304 Stainless Steel Stamped
- Fastener 3/8" FH
- CA Prop 65*

PART NO.	THICKNESS	FINISH	A	B	C
ARWU-03	3/16"	Satin	23-3/8"	3-3/8"	3"

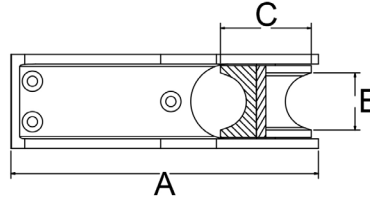


Cast Anchor Roller with Stainless Roller Wheel

- Sold by Each
- 316 Stainless Steel Cast
- CA Prop 65*



PART NO.	FINISH	A	B	C	FASTENER
ARCS-01	Polished	7-3/4"	1-3/8"	2-5/16"	1/4" FH

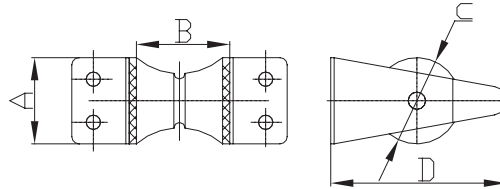


Platform Anchor Roller

- Sold by Each
- 304 Stainless Steel Stamped
- CA Prop 65*



PART NO.	FINISH	A	B	C	D	FASTENER
ARSW-04	Satin	3"	1-3/4"	2-1/2"	6"	3/8" FH
ARSW-05	Satin	3"	3-3/8"	3"	6"	7/16" FH
ARSW-06	Satin	5-1/2"	3-3/8"	3"	4"	7/16" FH



Replacement Wheels for Anchor Rollers

- Sold by Each
- Injection Molded Delrin
- CA Prop 65*



1210U



7560U



7550U



7551U-A



7558U



7564U

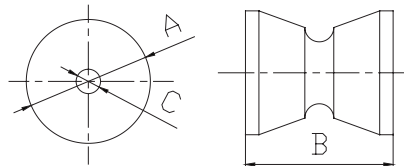


7551U-B



7557U

PART NO.	A	B	C	ANCHOR MODEL
7551U-B	1"	2-7/8"	3/8"	Aft/Small roller for AR7561S
7557U	2"	2-3/8"	1/2"	
7551U-A	2-3/8"	2-7/8"	3/8"	Forward/Big roller for AR7561S
7550U	2-1/2"	1-5/8"	7/16"	AR7550S, ARSW-02, AR7552S ARSW-03, AR7557S, ARSW-04
7560U	2-5/8"	2-3/8"	1/2"	ARWC-01HP
7558U	2-7/8"	2-7/8"	5/8"	ARWU-04
7564U	3"	3-3/8"	1/2"	ARWU-03, ARSW-05, ARSW-06
1210U	4"	4"	5/8"	

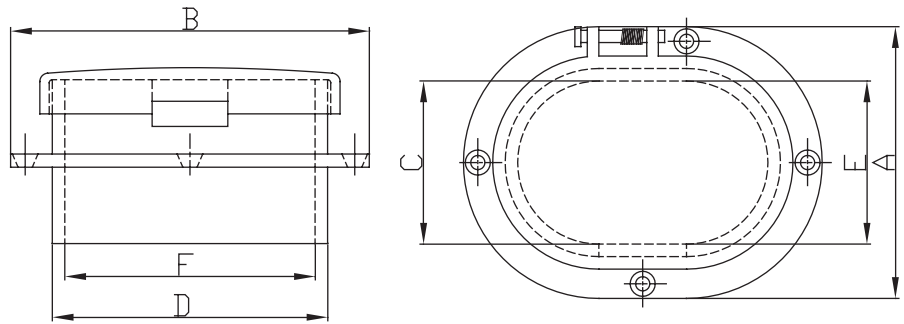


Spring Hinged Deck Pipe — Oval

- Sold by Each
- 316 Stainless Steel Cast
- Fastener #10 FH
- CA Prop 65*



PART NO.	A	B	C	D	E	F
AS7510S	4-1/16"	5-5/8"	2-3/4"	4-1/8"	2-7/16"	3-3/4"

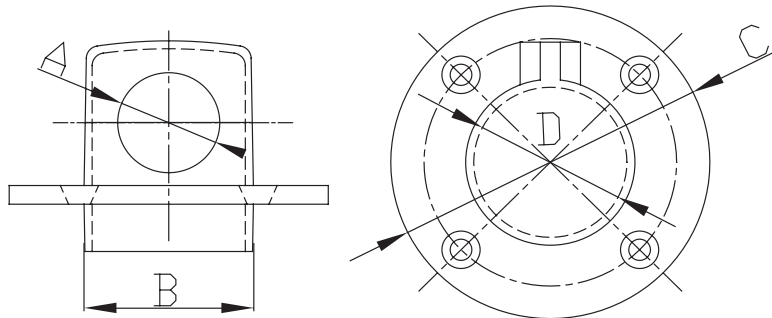


Spring Hinged Deck Pipe — Round

- Sold by Each
- 316 Stainless Steel Cast
- Fastener #10 FH
- CA Prop 65*



PART NO.	A	B	C	D
AS7520S	1"	1-3/4"	3-1/8"	1-1/2"

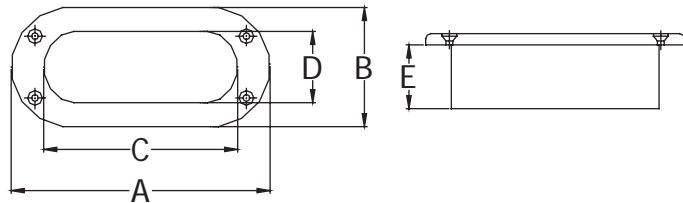


Oval Hawse Pipe



- Sold by Each
- 316 Stainless Steel Cast
- Fastener #8 FH
- CA Prop 65*

PART NO.	A	B	C	D	E
6200S	5-1/2"	2-1/2"	3-3/4"	1-1/2"	7/8"

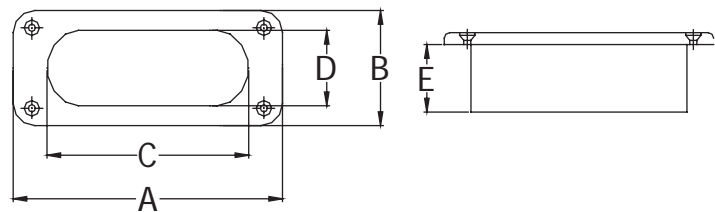


Rectangular Hawse Pipe



- Sold by Each
- 316 Stainless Steel Cast
- Fastener #10 FH
- CA Prop 65*

PART NO.	A	B	C	D	E
6202S	6"	3-1/4"	4"	2"	1-1/8"

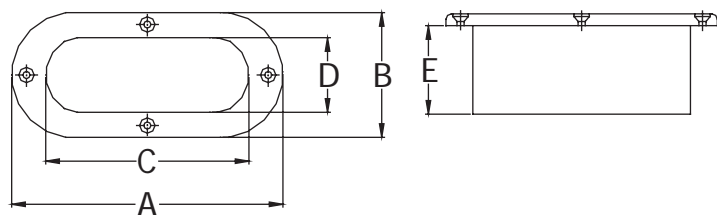


Oval Hawse Pipe



- Sold by Each
- 316 Stainless Steel Cast
- Fastener 1/4" FH
- CA Prop 65*

PART NO.	A	B	C	D	E
6204S	7"	4"	4-1/2"	1-1/2"	2-1/8"

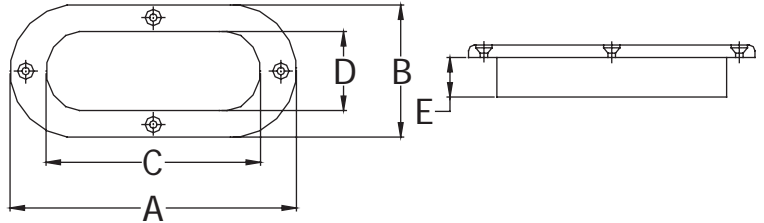


Oval Hawse Pipe



- Sold by Each
- 316 Stainless Steel Cast
- Fastener 1/4" FH
- CA Prop 65*

PART NO.	A	B	C	D	E
6206S	9-3/8"	5-1/4"	7"	3"	1"

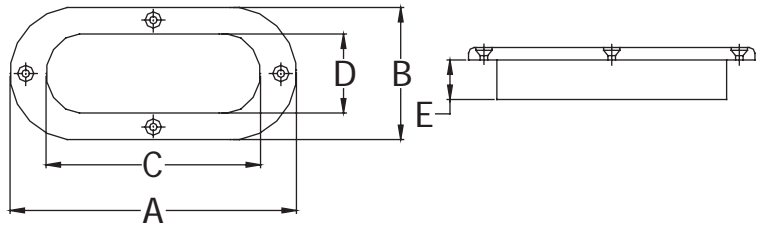


Oval Hawse Pipe with Hidden Fasteners



- Sold by Each
- 316 Stainless Steel Cast
- Stud 1/4"-20, 1-5/16" Stud Length
- CA Prop 65*

PART NO.	A	B	C	D	E
6214S	6-1/8"	4-1/8"	4-1/16"	2-1/8"	1-5/16"

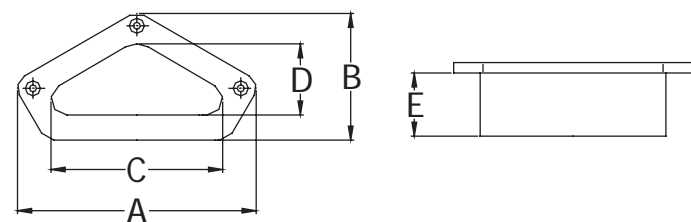


Triangular Hawse Pipe



- Sold by Each
- 316 Stainless Steel Cast
- Fastener #10 FH
- CA Prop 65*

PART NO.	A	B	C	D	E
6208S	8"	5"	5"	3"	2"

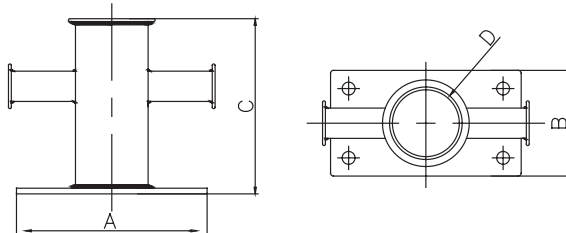


Mooring Bitt



- Sold by Each
- 304 Stainless Steel Formed
- Fastener 1/2" FH
- CA Prop 65*
- Max load is 750lbs

PART NO.	A	B	C	D
7566S	8"	4-1/2"	6-3/16"	3"

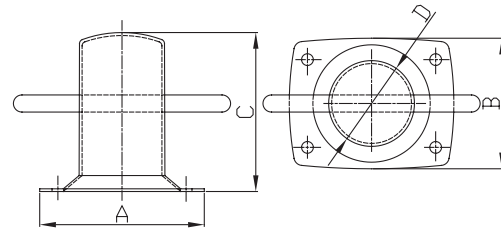


Small Mooring Bitt



- Sold by Each
- 304 Stainless Steel Formed
- Fastener 5/16" FH
- CA Prop 65*

PART NO.	A	B	C	D
7565S	4-13/16"	3-13/16"	4-3/4"	2-1/2"

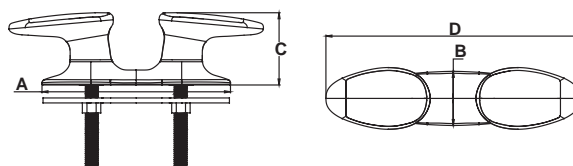


Horn Bollard



- Sold by Each
- 316 Stainless Steel Cast
- Stud-to-Stud Length: 3-1/2"
- CA Prop 65*

PART NO.	A	B	C	D	FASTENER
7568S	7- 3/8"	2-1/8"	2-13/16"	10"	1/2"-13



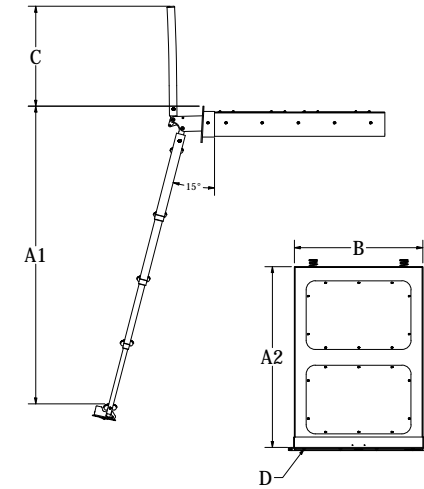
Stainless Steel Mailbox Ladder with Integrated Grab Handles

US Patento No. 11,673,629 B1

- Sold by Each
- 316 Stainless Steel
- Patented link design allows ladder to be easily deployed
- All-in-one mailbox ladder with built-in latch
- Handles are integrated into the design, staying hidden until deployed
- Flush Face Plate
- CA Prop 65*



PART NO.	STEP NO.	A DEPLOYED	A STOWED	B	C	D
B00355MHD-316	5	49-3/8"	30"	21-1/4"	16-1/2"	1/4" FH

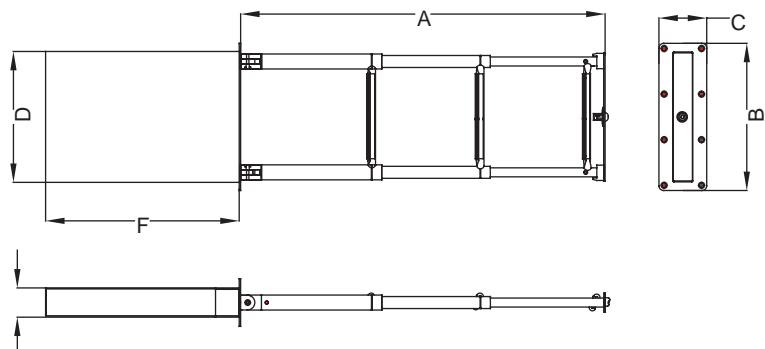


Mailbox Ladder

- Sold by Each
- 304 Stainless Steel Tubing
- CA Prop 65*



PART NO.	STEP NO.	A DEPLOYED	B	C	D	E	F
B00301MBN	3	35-3/8"	12-1/4"	4"	11-1/8"	2-7/16"	16-1/16"



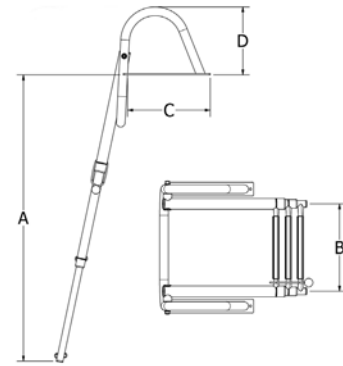
* WARNING: Cancer and Reproductive Harm - www.P65warnings.ca.gov - See page 158 to learn more about California Proposition 65

Over Platform Ladder with Grab Rails



- Sold by Each
- 304 Stainless Steel
- Large grab handles for easy boarding
- Folds onto swim platform for easy stowing
- Bungee cord securing strap included
- Nylon bushing between ladder segments for anti-rattling
- CA Prop 65*

PART NO.	STEP NO.	A DEPLOYED	A STOWED	B	C	D
B00301RG	3	32-7/8"	14-1/2"	10"	9-1/2"	7-3/4"

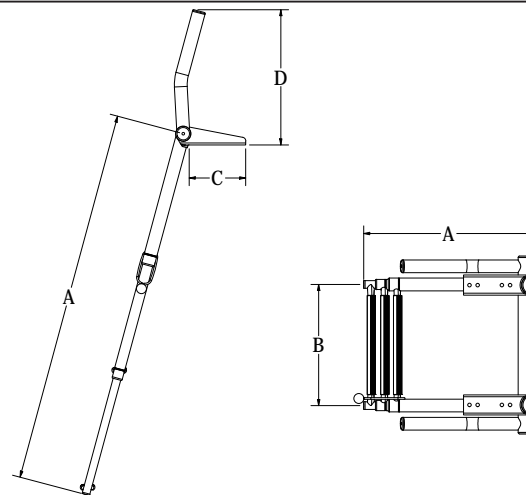


Telescoping Over Platform Ladder with Fold-Out Grab Rail



- Sold by Each
- 316 Stainless Steel Tubing
- CA Prop 65*

PART NO.	STEP NO.	A (DEPLOYED)	A (STOWED)	B	C	D	FASTENER
B00301RFG	3	36-5/8"	16-1/2"	11-7/8"	5-1/2"	13-1/4"	5/16"



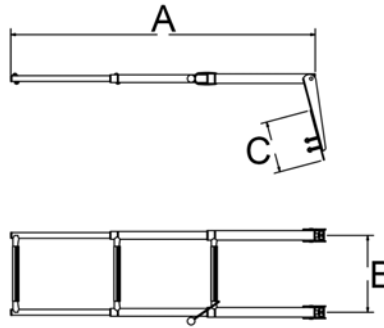
* WARNING: Cancer and Reproductive Harm - www.P65warnings.ca.gov - See page 158 to learn more about California Proposition 65

Over Platform Telescoping Ladder with Sliding Gudgeons

- Sold by Each
- 304 Stainless Steel Tubing
- Ladder Folds Onto Swim Platform For Easy Stowing
- Bungee Cord Securing Strap Included
- Nylon Bushing in between Ladder Segments for Anti-Rattling
- CA Prop 65*



PART NO.	STEP NO.	A	A	B	C
		DEPLOYED	STOWED		
B00301SLT	3	39-5/8"	16-7/8"	10"	6-11/16"

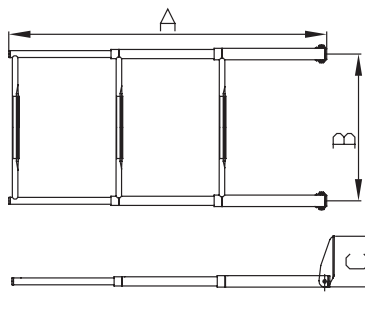


Wide Telescoping Ladder

- Sold by Each
- 304 Stainless Steel Tubing
- Ladder Folds Onto Swim Platform For Easy Stowing
- Bungee Cord Securing Strap Included
- Nylon Bushing in between Ladder Segments for Anti-Rattling
- CA Prop 65*



PART NO.	STEP NO.	A	A	B	C
		DEPLOYED	STOWED		
B00301WH	3	35"	14-3/4"	16"	7"
B00351WH	4	44-1/8"	16-1/4"	16"	6-1/2"

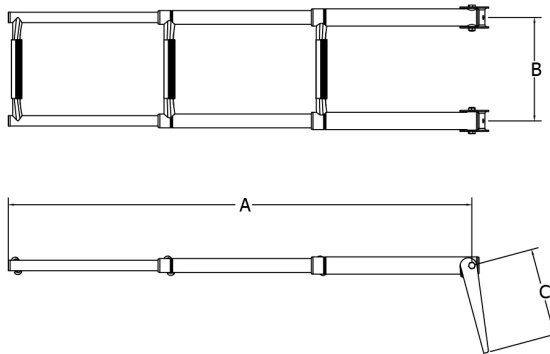


Narrow Telescoping Over Platform Ladder



- Sold by Each
- 304 Stainless Steel Tubing
- Bungee Cord Securing Strap Included
- Nylon Bushing for Anti-Rattle
- CA Prop 65*

PART NO.	STEP NO.	A DEPLOYED	A STOWED	B	C	FASTENER
B00301NRW	3	33-5/8"	14"	7-1/2"	6-3/8"	1/4"

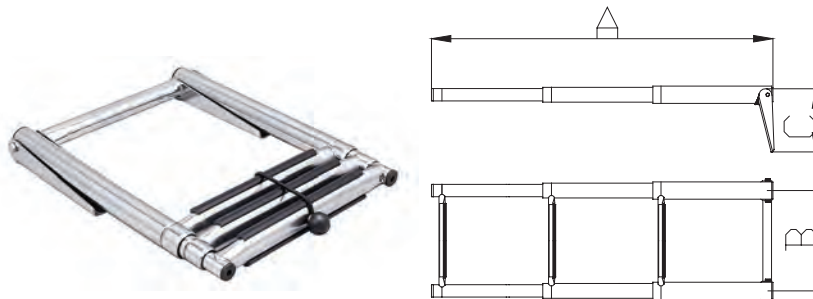


Over Platform Telescoping Ladder with Handle Bar



- Sold by Each
- 304 Stainless Steel Tubing
- Handle Bar for Easier Reboarding
- Nylon Bushing in between Ladder Segments for Anti-Rattling
- Bungee Cord Securing Strap Included
- CA Prop 65*

PART NO.	STEP NO.	A DEPLOYED	A STOWED	B	C	FASTENER
B00301CHA	3	35"	14-1/2"	10"	7"	1/4" FH
B00351CHA	4	45-1/2"	15-1/2"	10"	6-1/2"	5/16" FH



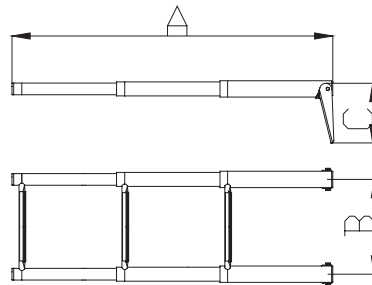
* **WARNING:** Cancer and Reproductive Harm - www.P65warnings.ca.gov - See page 158 to learn more about California Proposition 65

Over Platform Telescoping Ladder

- Sold by Each
- 304 Stainless Steel Tubing
- Ladder Folds Onto Swim Platform For Easy Stowing
- Bungee Cord Securing Strap Included
- Nylon Bushing in between Ladder Segments for Anti-Rattling
- CA Prop 65*

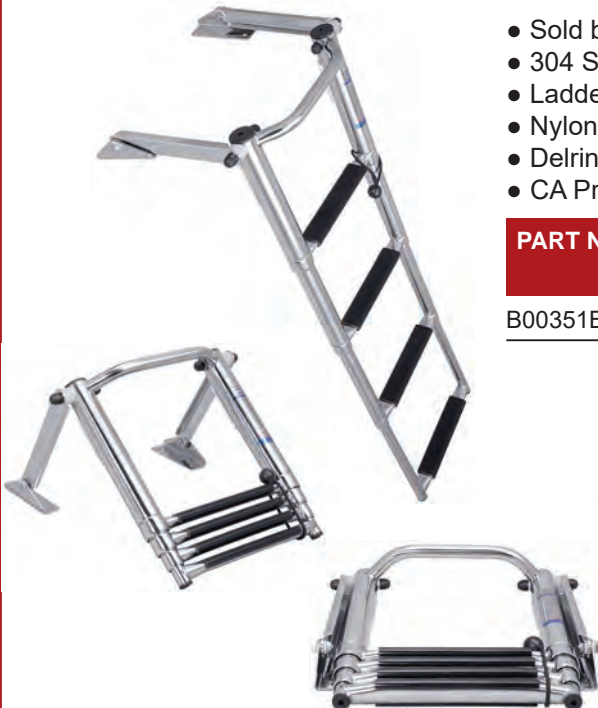


PART NO.	STEP NO.	A DEPLOYED	A STOWED	B	C	FASTENER
B00311R	2	23-1/2"	13-1/2"	10"	5-3/4"	1/4" FH
B00301R	3	34-5/8"	14-1/2"	10"	7"	1/4" FH
B00351R	4	45-1/2"	15-1/2"	10"	6-1/2"	5/16" FH
B00351R-8	4	45-1/2"	15-1/2"	10"	8"	1/4" FH
B00355R	5	55-7/8"	17-1/4"	10"	6-1/2"	5/16" FH

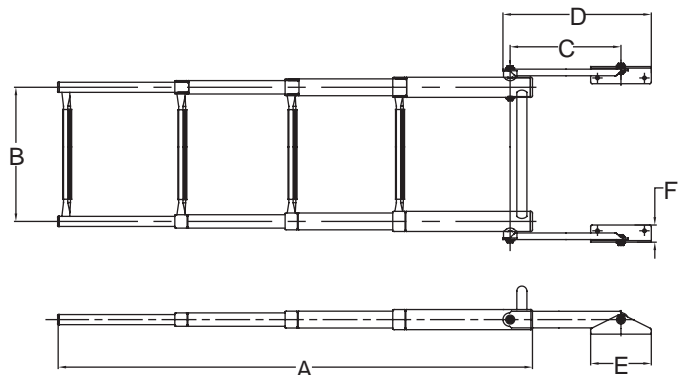


Fold Out Over Platform Telescoping Ladder with Grab Rail

- Sold by Each
- 304 Stainless Steel Tubing
- Ladder Designed to Accommodate Folding into Storage Locker
- Nylon Bushing in between Ladder Segments for Anti-Rattling
- Delrin Bumper
- CA Prop 65*



PART NO.	STEP NO.	A DEPLOYED	A STOWED	B	C	D	E	F
B00351BGR	4	31-1/2"	12-5/8"	10"	9-1/2"	11-3/4"	4-1/2"	1-5/16"



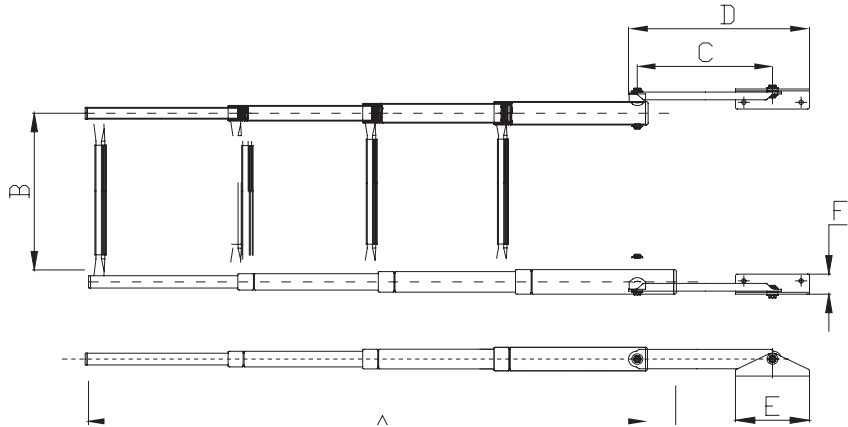
 * WARNING: Cancer and Reproductive Harm - www.P65warnings.ca.gov - See page 158 to learn more about California Proposition 65

Fold Out Over Platform Telescoping Ladder



- Sold by Each
- 304 Stainless Steel Tubing
- Ladder Designed to Accommodate Folding into Storage Locker
- Nylon Bushing in between Ladder Segments for Anti-Rattling
- Delrin Bumper
- CA Prop 65*

PART NO.	STEP NO.	A DEPLOYED	A STOWED	B	C	D	E	F
B00351BBD	4	31-1/2"	12-5/8"	10"	9-1/2"	11-3/4"	4-1/2"	1-5/16"

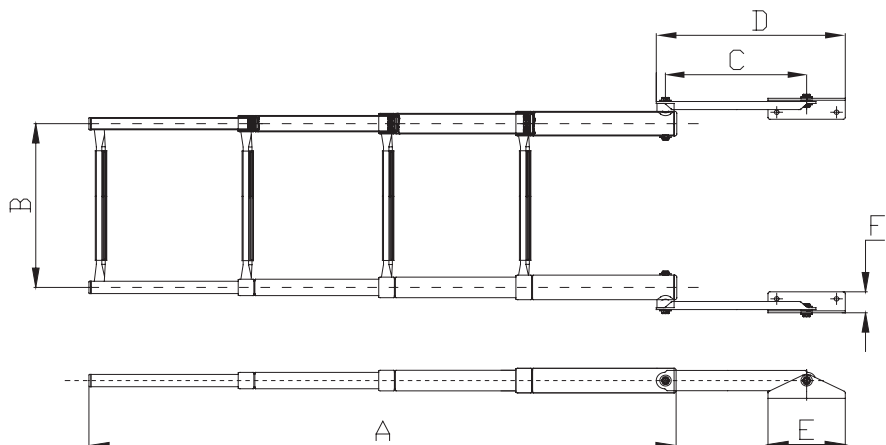


Fold Out Over Platform Telescoping Ladder with Welded Bumper



- Sold by Each
- 304 Stainless Steel Tubing
- Ladder Designed to Accommodate Folding into a Storage Locker
- Nylon Bushing in between Ladder Segments for Anti-Rattling
- Welded Metal Bumper
- CA Prop 65*

PART NO.	STEP NO.	A DEPLOYED	A STOWED	B	C	D	E	F
B00351WWD	4	44-1/4"	16-1/4"	13"	9-1/2"	12-3/8"	4-1/2"	1-1/4"



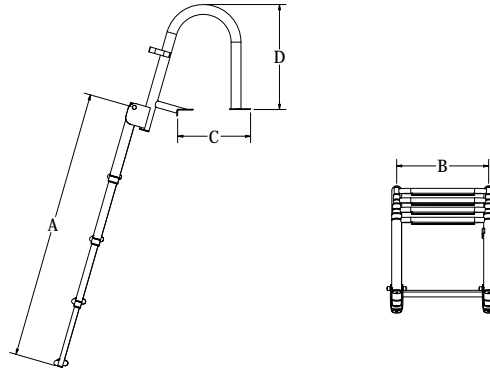
 * **WARNING:** Cancer and Reproductive Harm - www.P65warnings.ca.gov - See page 158 to learn more about California Proposition 65

Pontoon Ladder Wide Step

- Sold by Each
- 304 Stainless Steel Tubing
- CA Prop 65*



PART NO.	STEP NO.	A DEPLOYED	A STOWED	B	C	D	FASTENER
B00351PL-WS	4	41-1/8"	15-1/2"	14"	11-1/8"	15-7/8"	1/4"

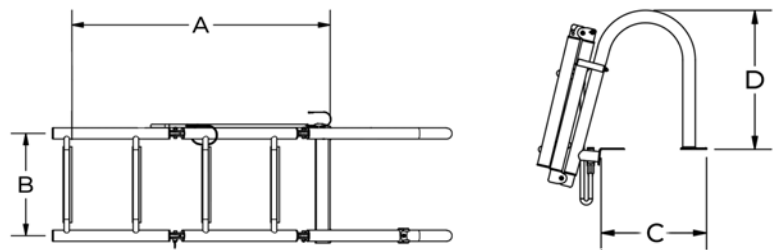


Easy Reboarding Wide Pontoon Ladder

- Sold by Each
- 304 Stainless Steel Tubing
- CA Prop 65*
- Retrieval Strap Included



PART NO.	STEP NO.	A DEPLOYED	A STOWED	B	C	D	FASTENER
B00351PL-ERL	4	35-3/8"	16-3/4"	14"	12-3/4"	16-7/8"	1/4"



Ladder Retrieval Pull-Up Strap

- Sold by Each
- Made for B00351PL-ERL
- CA Prop 65*



PART NO.	RELAXED	EXTENDED
B00300-LRTS	31"	45"

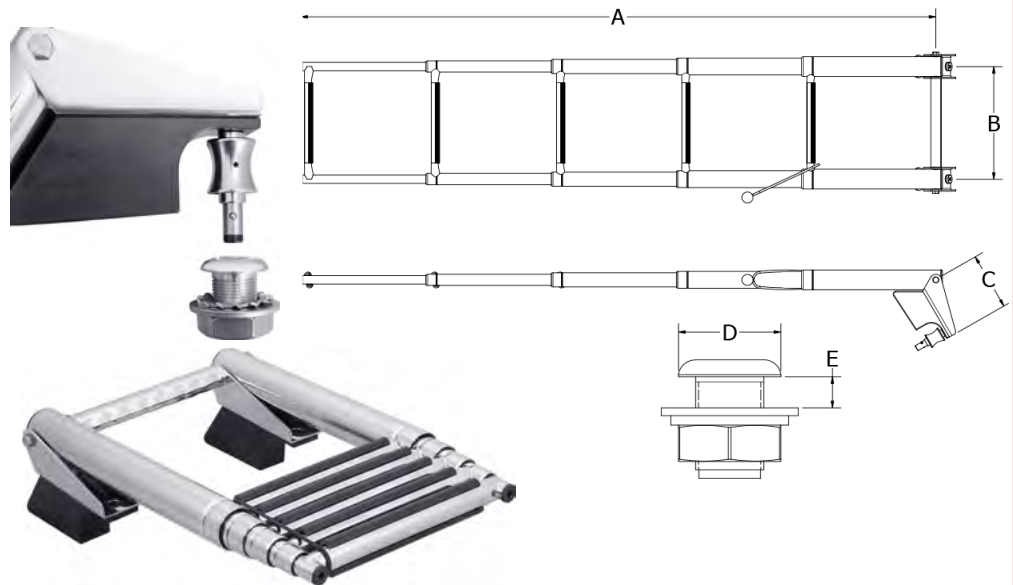
 * WARNING: Cancer and Reproductive Harm - www.P65warnings.ca.gov - See page 158 to learn more about California Proposition 65

Over Platform Removable Bow Ladder



- Sold by Each
- 304 Stainless Steel Tubing
- Small mounting footprint
- Ladder securely mounts onto bow and can be removed for convenient storage
- Bungee cord securing strap included
- Nylon bushing in between ladder segments for anti-rattling
- Built to ABYC H-41 requirements
- CA Prop 65*

PART NO.	STEPS	A	A	B	C	D	E
		DEPLOYED	STOWED				
B00351RBW	4	45-5/8"	15-3/8"	10"	5"	1-1/2"	1" MAX
B00355RBW	5	56"	16-7/8"	10"	5"	1-1/2"	1" MAX

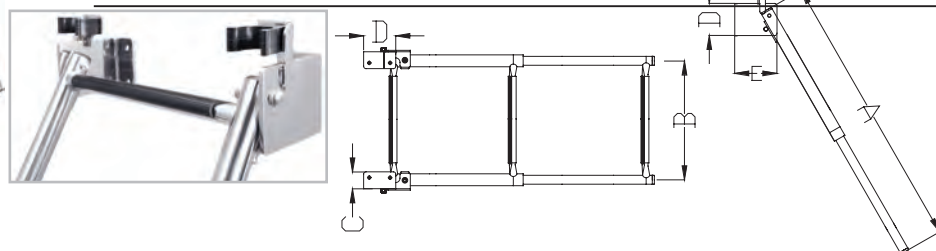


Transom Fold Out Ladder



- Sold by Each
- 304 Stainless Steel Tubing
- Fastener 1/4" FH
- Ladder Folds Up and Stows into the Plastic Holding Clips
- CA Prop 65*

PART NO.	STEP NO.	A	A	B	C	D	E
		DEPLOYED	STOWED				
B00363	3	23"	13-1/4"	10"	1-3/8"	2-5/8"	3-1/2"
B00364	4	34"	14-1/2"	10"	1-3/8"	2-5/8"	3-1/2"



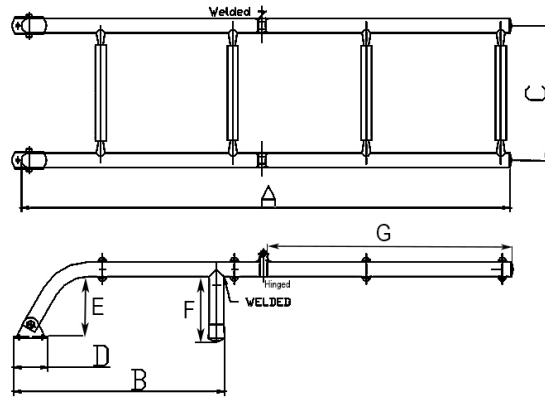
 * **WARNING:** Cancer and Reproductive Harm - www.P65warnings.ca.gov - See page 158 to learn more about California Proposition 65

Transom Folding Ladder

- Sold by Each
- 304 Stainless Steel Tubing
- 316 Stainless Steel Cast Hinges
- Fastener 1/4"
- Ladder Folds Up For Easy Stowing
- CA Prop 65*



PART NO.	STEP NO.	A	B	C	D	E	F	G
B00361	4	33-1/2"	14-7/8"	9-1/4"	2-3/8"	4-1/4"	4-5/8"	17"
B00361-L9	4	33-1/2"	14-7/8"	9-1/4"	2-3/8"	4-1/4"	9-1/2"	17"

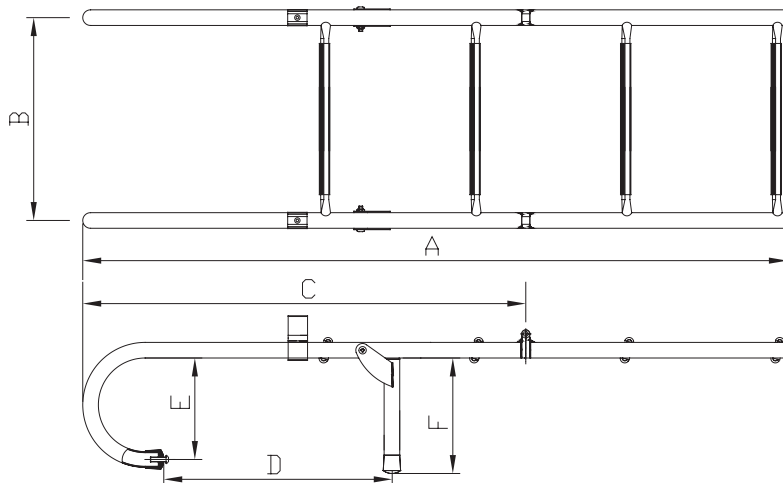


Gunwale Mount Ladder

- Sold by Each
- 304 Stainless Steel Tubing
- Ladder Folds Up for Easy Stowing
- Mount on the Gunwale and Remove for Storage
- CA Prop 65*



PART NO.	STEP NO.	A	B	C	D	E	F
B00365	4	45-1/4"	13"	28-1/2"	14-7/8"	7-1/8"	7-1/2"
B00367	5	55-1/2"	13"	37-3/4"	18-7/8"	7-3/8"	7-1/2"



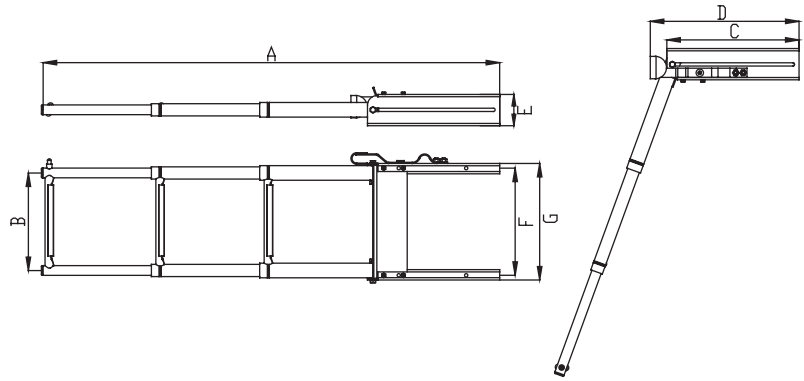
 * WARNING: Cancer and Reproductive Harm - www.P65warnings.ca.gov - See page 158 to learn more about California Proposition 65

Under Platform Ladder, Spring Loaded, Quick Release Latch



- Sold by Each
- Both Options: 304 Stainless Steel Tubing or 316 Stainless Steel Tubing
- Fastener 1/4" FH
- Spring Loaded Ladder for Easy Deployment and Stowing
- Nylon Bushing in between Ladder Segments for Anti-Rattling
- CA Prop 65*

PART NO.	STEP NO.	A	A	B	C	D	E	F	G	
		DEPLOYED STOWED								
B00311USL	2	23-7/16"	15-5/8"	10"	13-1/2"	14-1/8"	3-7/32"	10-7/8"	12"	
B00311USL-316	2	316 Stainless Version of B00311USL								
B00301USL	3	34-3/4"	14-27/32"	10"	14-3/8"	15-1/4"	3-7/32"	10-7/8"	12"	
B00301USL-316	3	316 Stainless Version of B00301USL								
B00351USL	4	45-1/4"	16-1/4"	10"	15"	16-5/8"	3-7/32"	10-7/8"	12"	
B00351USL-316	4	316 Stainless Version of B00351USL								

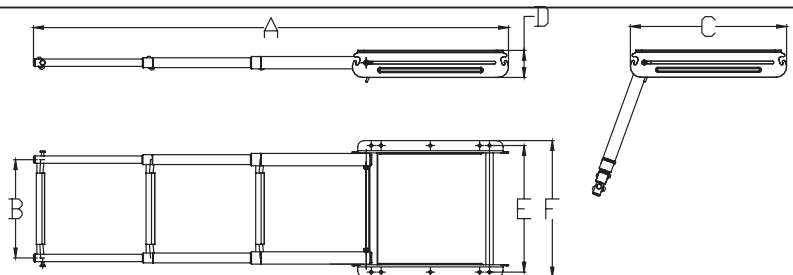


Under Platform Ladder, Spring Loaded



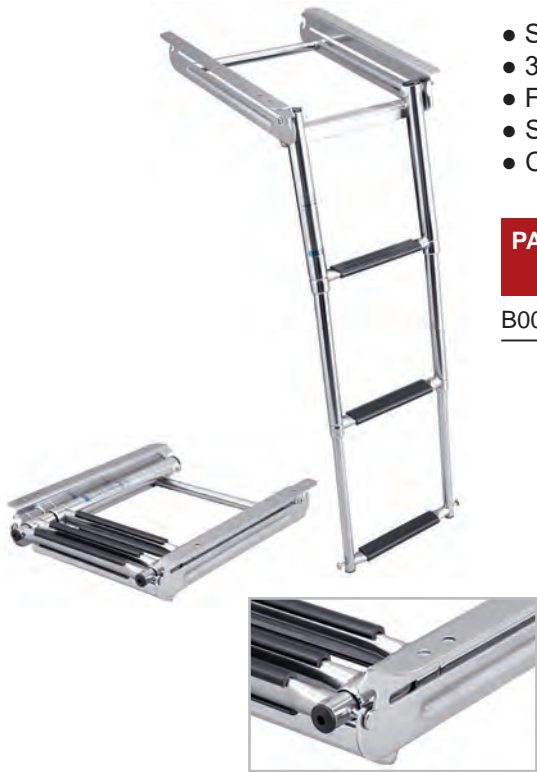
- Sold by Each
- 304 Stainless Steel Tubing
- Fastener 1/4" FH
- Spring Loaded Ladder for Easy Deployment and Stowing
- CA Prop 65*

PART NO.	STEP NO.	A	A	B	C	D	E	F	
		DEPLOYED STOWED							
B00301UHK	3	34-3/16	16-1/3	10	15-7/8	2-3/4	10	11-9/16	
B00301UHK-316		316 Stainless Version of B00301UHK							



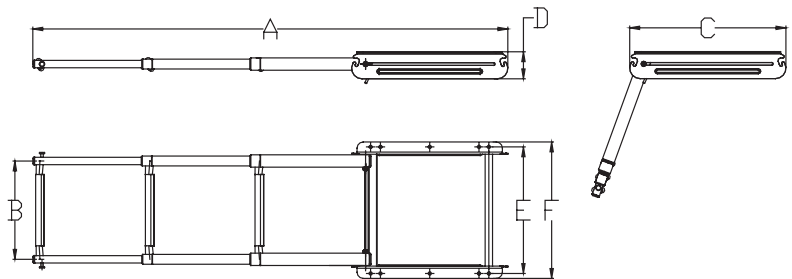
* WARNING: Cancer and Reproductive Harm - www.P65warnings.ca.gov - See page 158 to learn more about California Proposition 65

Under Platform Ladder, Spring Loaded, Wide Mount



- Sold by Each
- 304 Stainless Steel Tubing
- Fastener 1/4" FH
- Spring Loaded Ladder for Easy Deployment and Stowing
- CA Prop 65*

PART NO.	STEP NO.	A		B	C	D	E	F
		DEPLOYED	STOWED					
B00301UHK-WH	3	48.19	16.30	10.00	15.85	2.75	12.88	13.88

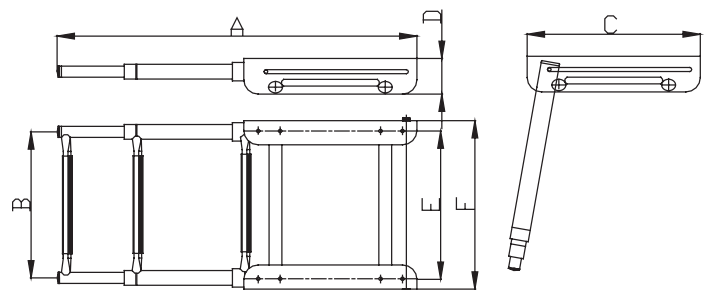


Under Platform Ladder, Rubber Latch



- Sold by Each
- 304 Stainless Steel Tubing
- Fastener 1/4" FH
- Ladder Stores Neatly Into Its Frame
- Rubber Strap Secures The Ladder In Place
- Nylon Bushing in between Ladder Segments for Anti-Rattling
- CA Prop 65*

PART NO.	STEP NO.	A		B	C	D	E	F
		DEPLOYED	STOWED					
B00301UPM	3	35-1/4"	15-3/4"	10"	14-1/4"	3"	10-1/8"	11-1/2"
B00351UPM	4	46-1/8"	16-1/4"	10"	15"	3-1/4"	10-3/8"	12"



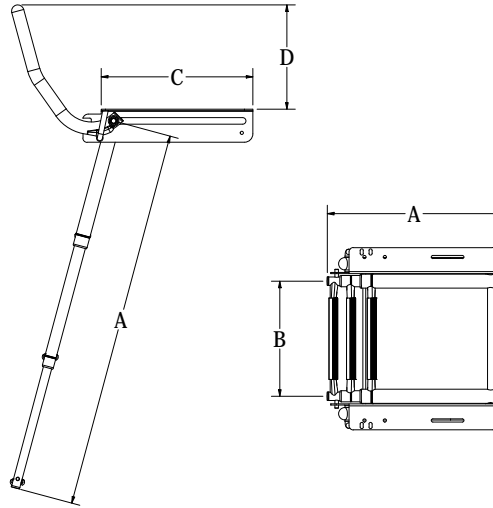
 * WARNING: Cancer and Reproductive Harm - www.P65warnings.ca.gov - See page 158 to learn more about California Proposition 65

Under Platform Ladder with Grab Rails

- Sold by Each
- 316 Stainless Steel Tubing
- CA Prop 65*



PART NO.	STEP NO.	A	A	B	C	D	FASTENER
		DEPLOYED STOWED					
B00301UFG	3	33-7/8"	15-1/2"	10-1/4"	13-1/2"	9-1/4"	1/4"

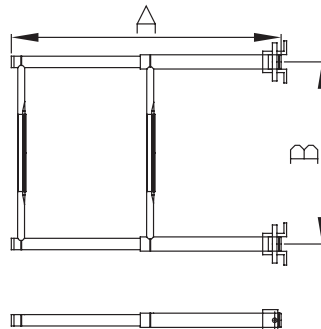


Under Platform Telescoping Ladder

- Sold by Each
- 304 Stainless Steel Tubing
- Ladder Slides Into The Bracket For Stowing
- Bungee Cord Securing Strap Included
- Nylon Bushing in between Ladder Segments for Anti-Rattling
- CA Prop 65*



PART NO.	STEP NO.	A	A	B	FASTENER
		DEPLOYED STOWED			
B00331	2	23-1/2"	13-1/2"	10"	#10 FH
B00331-BKT	Replacement bracket and straps for B00331				1/4" FH
B00330	3	35"	14-1/2"	10"	#10 FH
B00330-BKT	Replacement bracket and straps for B00330				1/4" FH

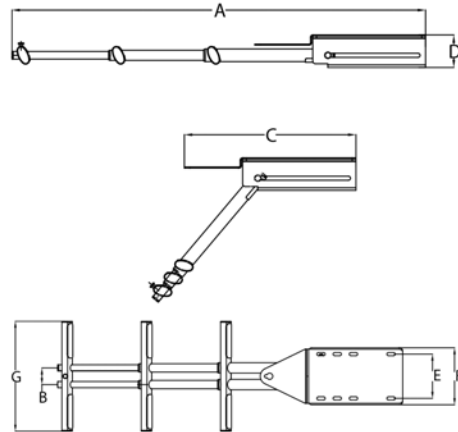


Under Platform Dive Ladder

- Sold by Each
- 316 Stainless Steel Tubing
- Spring Loaded Ladder for Easy Deployment and Stowing
- CA Prop 65*



PART NO.	STEP NO.	A	A	B	C	D	E	F	G
		DEPLOYED STOWED							
AM1303UPM-316	3	41-13/16"	17-1/8"	2"	17-1/8"	3-1/4"	5-5/16"	6-1/2"	13-3/16"



Removable Dive Door Ladder



- Sold by Each
- 316 Stainless Steel Tubing
- CA Prop 65*

PART NO.	A	A	B	C	D	E
	DEPLOYED STOWED					
AM1504MB-316	44"	19-11/16"	14-7/8"	10-11/32"	3-3/8"	12-3/8"



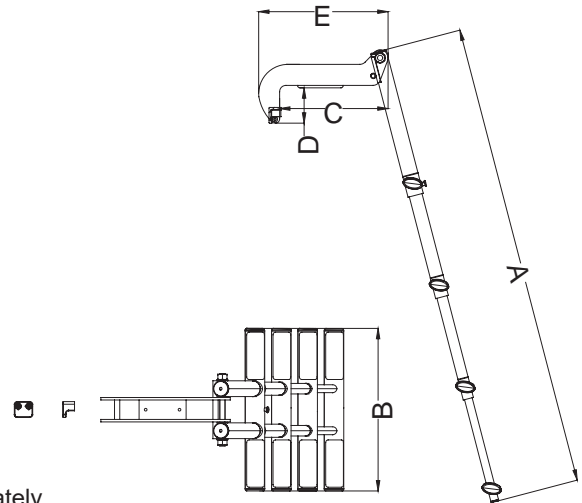
AMB9



AMB10



*AMB9 & AMB10 Sold Separately



Removable Dive Door Ladder



- Sold by Each
- 316 Stainless Steel Tubing
- CA Prop 65*

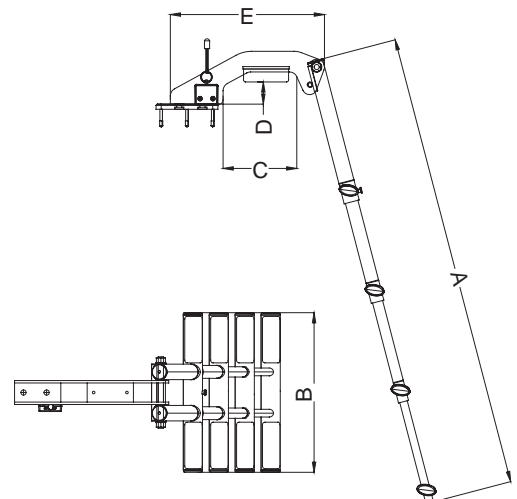
PART NO.	A	A	B	C	D	E	F	G
	DEPLOYED STOWED							
AM1504PL	44"	19-11/16"	14-7/8"	7-5/32"	2-1/8"	14-15/16"	6"	4"



AMB7

AMB8

AMB7 & AMB8 Sold Separately



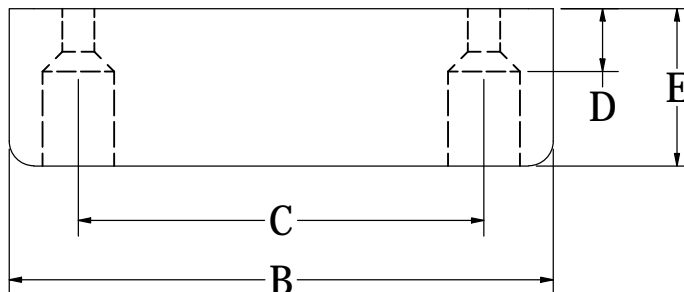
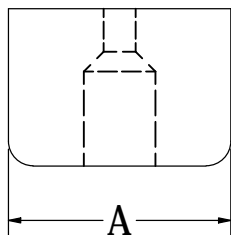
 * **WARNING:** Cancer and Reproductive Harm - www.P65warnings.ca.gov - See page 158 to learn more about California Proposition 65

Delrin Spacer Blocks



- Sold by Each
- Durable Black Delrin
- CA Prop 65*
- Fits AM1504MB, AM1504MB-316, & AM1504PL

PART NO.	A	B	C	D	E
AM-SB050	1-3/4"	4-3/8"	3-1/4"	7/16"	1/2"
AM-SB125	1-3/4"	4-3/8"	3-1/4"	1/2"	1-1/4"
AM-SB138	1-3/4"	4-3/8"	3-1/4"	7/16"	1-3/8"



Mount Plate for Dive Ladder



AMB7

AMB8

- Sold by Each
- 316 Stainless Steel Cast
- For dive ladders AM1504PL and AM1504PL-316 only
- CA Prop 65*

PART NO.	TYPE	OD
AMB7	Stud Mount	4" x 6"
AMB8	Top Mount	4" x 6"



AMB7

AMB8

Mount Block for Dive Ladders

AMB9



AMB10



- Sold by Each
- 316 Stainless Steel Cast
- For dive ladder AM1504MB-316 only
- CA Prop 65*

PART NO.	TYPE	OD
AMB9	Wide Mount	5" x 1-1/2"
AMB10	Narrow Mount	1-3/4" x 1-1/2"

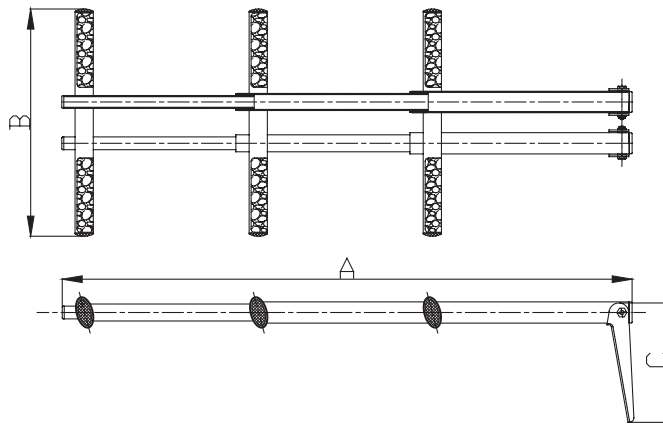
 * **WARNING:** Cancer and Reproductive Harm - www.P65warnings.ca.gov - See page 158 to learn more about California Proposition 65

Over Platform Sport/Dive Ladder Telescoping

- Sold by Each
- 304 Stainless Steel Tubing
- CA Prop 65*



PART NO.	STEP NO.	A DEPLOYED	A STOWED	B	C	FASTENER
AM1303R	3	33-27/32"	16-15/16"	13-3/8"	7"	1/4"
AM1304R	4	43-3/16"	18-13/16"	13-3/8"	8"	5/16"

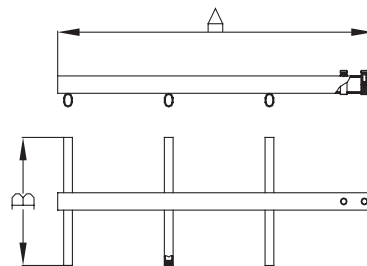


Sport / Dive Ladder

- Sold by Each
- 304 Stainless Steel Tubing
- Quick Release Mounting Brackets AMB1 and AMB2 Sold Separately
- CA Prop 65*



PART NO.	STEP NO.	A	B
AM1303S	3	36"	14"

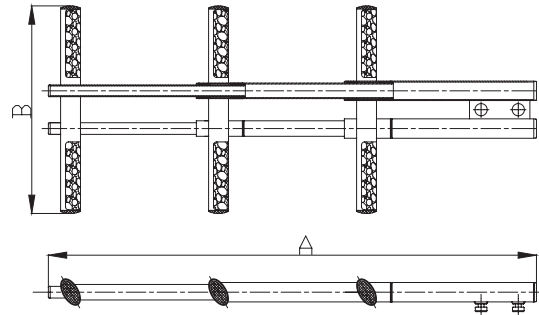


Sport/Dive Ladder Telescoping



- Sold by Each
- 304 Stainless Steel Tubing
- Quick Release Mounting Brackets AMB1 and AMB2 Sold Separately
- CA Prop 65*

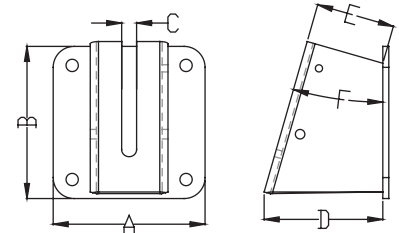
PART NO.	STEP NO.	A DEPLOYED	A STOWED	B
AM1303T	3	31-1/2"	16-1/2"	13-3/8"
AM1304T	4	41-3/8"	17-3/8"	13-3/8"



Bracket for Dive Ladders



- Sold by Each
- 304 Stainless Steel Stamped
- Includes Quick Release Locking Pin
- CA Prop 65*

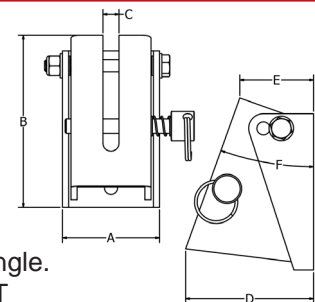


PART NO.	A	B	C	D	E	F
AMB1	4"	4"	0.41"	1-3/4"	7/8"	16°
AMB2	4"	4"	0.41"	3-1/8"	2"	16°

Break Away Bracket for Dive Ladders



- Sold by Each
- 304 Stainless Steel Fabricated
- Includes Quick Release Locking Pin
- Removable pivot bolt allows for 20° or 11° angle.
- Works with AM1303S, AM1303T, AM1304T
- Breakaway design allows ladder to swing up, reducing risk of damage if the ladder becomes caught or swept by currents.
- CA Prop 65*



PART NO.	A	B	C	D	E	F
AMB2-BA	2-1/2"	4-3/8"	0.41"	3-1/8"	1-7/8"	20° or 11°

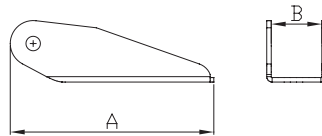
 * WARNING: Cancer and Reproductive Harm - www.P65warnings.ca.gov - See page 158 to learn more about California Proposition 65

Transom Gudgeon



- Sold by Each
- 304 Stainless Steel Stamped
- Short Curved Tab
- CA Prop 65*

PART NO.	A	B	LADDER	FASTENER
7731SR	5-3/4"	1-1/8"	B00311R	5/16" FH
7732SR	5-13/16"	1-3/8"	B00301R-5	5/16" FH
7734SR	6-1/2"	1-3/4"	B00351R	3/8" FH
7736SR	7"	1-3/8"	B00301R, B00301WH	5/16" FH



Wall-Mounted Ladder Storage Clips



AM-CLIP1

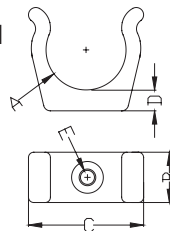


AM-CLIP125

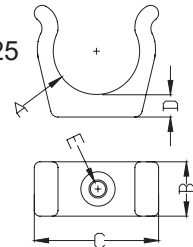
- Sold by Each
- Injection Molded Nylon
- Easy Wall Storage For Your Ladder
- CA Prop 65*

PART NO.	FOR TUBE	A	B	C	D	E
AM-CLIP1	1"	15/16"	3/4"	1"	3/8"	10/32 FH
AM-CLIP125	1-1/4"	1-3/16"	3/4"	1-1/4"	7/16"	10/32 FH

AM-CLIP1



AM-CLIP125



Wall-Mounted Ladder Storage Clips



AM-CLIP15

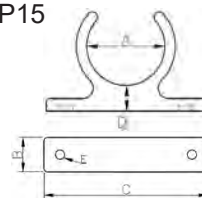


AM-CLIP16

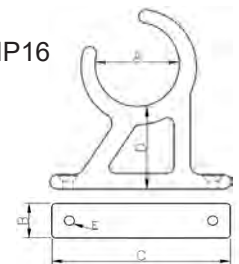
- Sold by Each
- Injection Molded Nylon
- Easy wall storage for your ladder
- CA Prop 65*

PART NO.	FOR TUBE	A	B	C	D	E
AM-CLIP15	1-1/2"	1-7/16"	3/4"	3"	1/2"	12/24 FH
AM-CLIP16	1.63"	1-5/8"	3/4"	3-1/2"	1-9/16"	10-24 FH

AM-CLIP15



AM-CLIP16



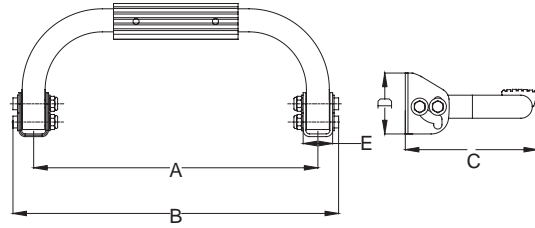
 * WARNING: Cancer and Reproductive Harm - www.P65warnings.ca.gov - See page 158 to learn more about California Proposition 65

Folding Footrest



- Sold by Each
- 304 Stainless Steel Formed
- Fastener 1/4" PH
- CA Prop 65*

PART NO.	A	B	C	D	E
50730S	12-13/32"	14-5/32"	5-3/4"	2-11/16"	1-5/16"
50732S	22-3/4"	24-1/2"	5-3/4"	2-11/16"	1-5/16"
50733S	26-3/5"	28-1/4"	5-3/4"	2-11/16"	1-5/16"

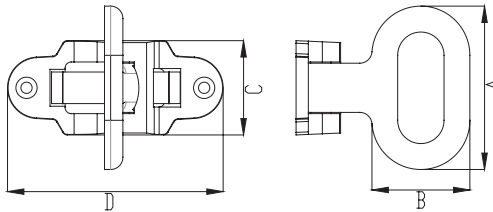


Stainless Folding Step



- Sold by Each
- 316 Stainless Steel Cast
- CA Prop 65*

PART NO.	A	B	C	D
50724S	3-13/16"	2"	1-13/16"	4-1/8"



Rubber Ladder Strap



- Sold by Each
- Rubber
- CA Prop 65*

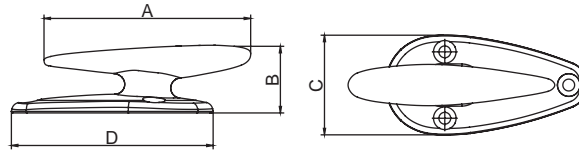
PART NO.	Length	Width
B00300-RS	6-3/4"	1"

Streamline Cleat



- Sold by Each
- 316 Stainless Steel Cast
- Fastener #8 FH
- CA Prop 65*

PART NO.	A	B	C	D	MAX ROPE SIZE	FASTENER
6021S	3-1/8"	1"	1-1/2"	3-1/16"	3/8"	#8 FH



Heavy Duty Stud Cleat



- Sold by Each
- 316 Stainless Steel Cast
- CA Prop 65*

PART NO.	A	B	C	D	E	STUD
6025S	6"	1-1/16"	1-7/16"	13/16"	2-3/8"	5/16-18 UNC x 1-7/8"
6026S	8"	1-3/8"	1-1/2"	1-3/32"	2-15/16"	3/8-16 UNC x 2"
6027S	10"	1-5/8"	2-3/16"	1-5/16"	3-7/8"	1/2-13 UNC x 3-1/8"

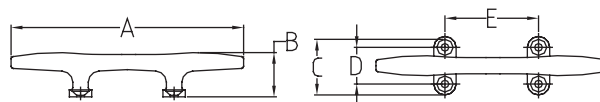


Herreshoff Cleat



- Sold by Each
- 316 Stainless Steel Cast
- CA Prop 65*

PART NO.	A	B	C	D	E	FASTENER
6028S	4-1/2"	1-1/16"	1-13/32"	7/8"	1-7/8"	#10 FH
6030S	6"	1-1/4"	1-7/8"	1-1/16"	2-1/4"	1/4" FH
6032S	8"	1-1/2"	2-3/16"	1-3/8"	2-7/8"	1/4" FH
6034S	10"	1-7/8"	2-11/16"	1-3/4"	3-11/16"	5/16" FH
6036S	12"	2-3/16"	2-3/4"	1-5/16"	3-3/4"	5/16" FH



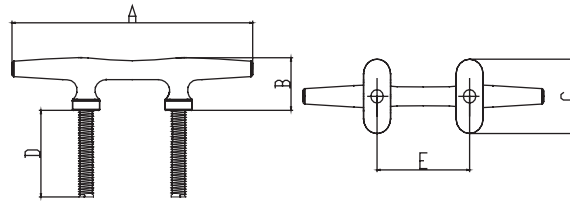
 * **WARNING:** Cancer and Reproductive Harm - www.P65warnings.ca.gov - See page 158 to learn more about California Proposition 65

Studded Herreshoff Cleat



- Sold by Each
- 316 Stainless Steel Cast
- Fastener: 5/16"-18
- CA Prop 65*

PART NO.	A	B	C	D	E
6030SPE	6"	1-1/4"	1-3/4"	2"	2-1/4"
6032SPE	8"	1-1/2"	2"	2"	2-3/4"

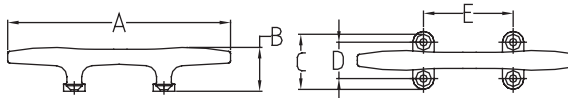


Heavy Duty Herreshoff Cleat

- Sold by Each
- 316 Stainless Steel Cast
- CA Prop 65*



PART NO.	A	B	C	D	E	FASTENER
6037S	8"	2"	2-9/16"	1-3/4"	3-5/16"	1/4" FH
6038S	10"	2-7/16"	2-7/8"	1-7/8"	3-3/4"	5/16" FH
6039S	12"	2-3/4"	3-1/2"	2-1/2"	4-3/4"	5/16" FH
6040S	15"	3-3/4"	3-7/8"	2-9/16"	4-27/32"	3/8" FH

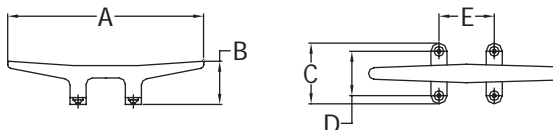


Mooring Cleat

- Sold by Each
- 316 Stainless Steel Cast
- CA Prop 65*



PART NO.	A	B	C	D	E	FASTENER
6044S	5-3/4"	1-1/4"	2-3/8"	1-5/8"	2"	1/4" FH
6046S	8"	1-5/8"	2-3/8"	1-5/8"	2-1/4"	1/4" FH
6048S	9-3/4"	1-3/4"	2-5/8"	1-3/4"	2-3/16"	1/4" FH



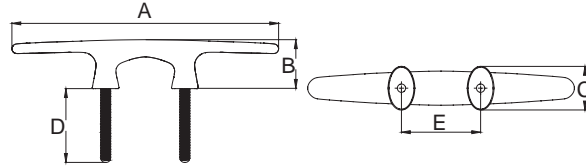
* WARNING: Cancer and Reproductive Harm - www.P65warnings.ca.gov - See page 158 to learn more about California Proposition 65

Arch Cleat



- Sold by Each
- 316 Stainless Steel Cast
- CA Prop 65*

PART NO.	A	B	C	D	E	FASTENER
6055S	6"	1-7/32"	15/16"	2"	2-1/4"	5/16"-18UNC
6056S	8"	1-7/16"	1-3/16"	2"	2-3/4"	7/16"-14UNC
6057S	10"	1-13/16"	1-11/16"	3"	3-5/8"	7/16"-14UNC
6058S	12"	2-5/32"	1-15/16"	4"	3-1/2"	7/16"-14UNC

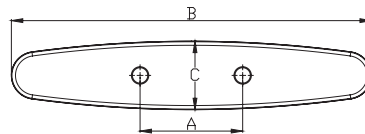


Chafe Plate for Arch Cleat



- Sold by Each
- 316 Stainless Steel Cast
- CA Prop 65*

PART NO.	A	B	C
6055S-PLT	2-9/32"	6-7/16"	1-3/8"
6056S-PLT	2-13/16"	8-7/16"	1-21/32"
6057S-PLT	3-5/8"	10"	2-1/16"
6058S-PLT	3-9/16"	12"	2-11/32"

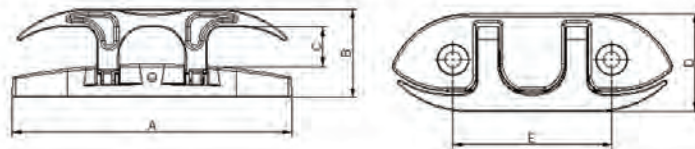


Folding Cleat



- Sold by Each
- 316 Stainless Steel Cast
- CA Prop 65*

PART NO.	A	B	C	D	E	FASTENER
53071S	4-1/2"	1-1/2"	11/16"	1-11/16"	2-3/4"	1/4" FH
53072S	6-1/8"	1-13/16"	7/8"	1-15/16"	3-3/4"	1/4" FH
53073S	8"	2-1/2"	1-3/16"	2-5/8"	4-13/16"	1/4" FH



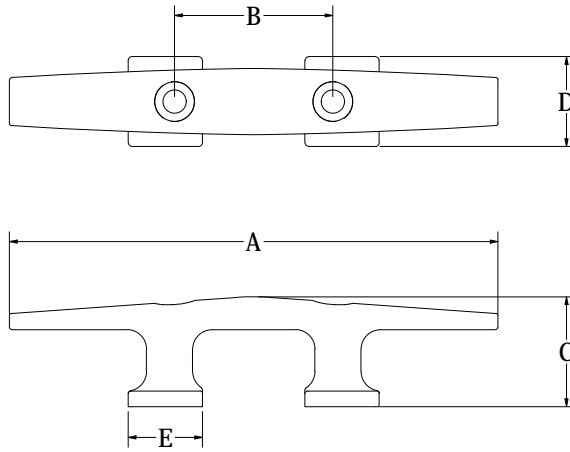
* **WARNING:** Cancer and Reproductive Harm - www.P65warnings.ca.gov - See page 158 to learn more about California Proposition 65

Humpback Cleat

- Sold by Each
- 316 Stainless Steel Cast
- CA Prop 65*



PART NO.	A	B	C	D	E	FASTENER
63061S	6"	2"	1-1/2"	1"	7/8"	1/4" Oval

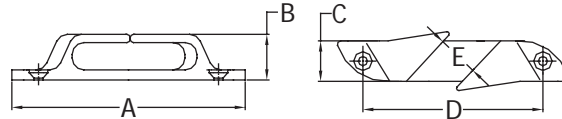


Skene Angled Bow Chocks



- Sold by Pair
- 316 Stainless Steel Cast
- CA Prop 65*

PART NO.	A	B	C	D	E	FASTENER
6050S	4-1/2"	1-5/16"	3/4"	3-5/16"	1/2"	#10 FH
6052SH	6"	1-15/16"	1-1/16"	4-5/8"	1-1/4"	1/4" FH
6054S	7-7/8"	1-7/8"	1"	6-3/8"	1-1/8"	1/4" FH

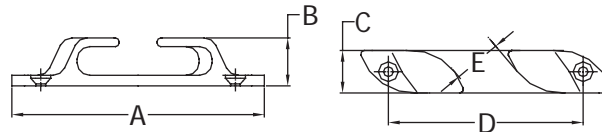


Angled Bow Chocks



- Sold by Pair
- 316 Stainless Steel Cast
- CA Prop 65*

PART NO.	A	B	C	D	E	FASTENER
6060S	4-1/2"	1"	3/4"	3-5/16"	1/2"	#10 FH
6062S	6"	1-1/8"	1-1/16"	4-3/4"	1"	1/4" FH
6064S	9"	1-3/4"	1-5/8"	7-3/16"	1-1/4"	5/16" FH

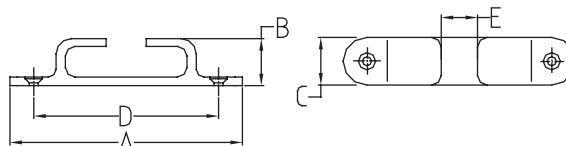


Bow Chocks



- Sold by Pair
- 316 Stainless Steel Cast
- CA Prop 65*

PART NO.	A	B	C	D	E	FASTENER
6070S	5"	1-1/8"	15/16"	3-15/16"	1-1/8"	1/4" FH
6072SP	6"	1-1/8"	1-1/16"	4-3/4"	1-3/8"	1/4" FH
6074S	9"	1-3/4"	1-5/8"	7-3/16"	1-1/4"	5/16" FH



* **WARNING:** Cancer and Reproductive Harm - www.P65warnings.ca.gov - See page 158 to learn more about California Proposition 65

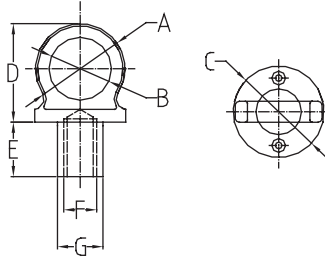
Lift Ring

- Sold by Each
- 316 Stainless Steel Cast

- Fastener #10 FH
- CA Prop 65*



PART NO.	A	B	C	D	E	F	G
6231S	2-7/32"	1-1/2"	2-3/16"	2-3/8"	7/8"	5/8-11UNC	31/32"
6231S-L	2-7/32"	1-3/8"	2-1/4"	3-3/16"	15/16"	5/8-11UNC	31/32"



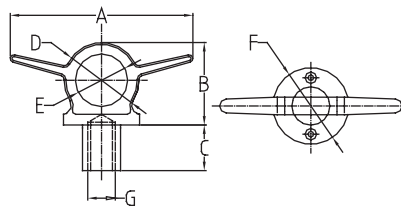
Lift Ring with Cleat

- Sold by Each
- 316 Stainless Steel Cast

- Fastener #10 FH
- CA Prop 65*



PART NO.	A	B	C	D	E	F	G
6322S	5-15/16"	1-7/8"	7/8"	1-31/32"	1-1/8"	2-3/32"	5/8-11UNC
6324S	7"	2-15/32"	31/32"	2-1/2"	1-1/2"	2-17/32"	5/8-11UNC

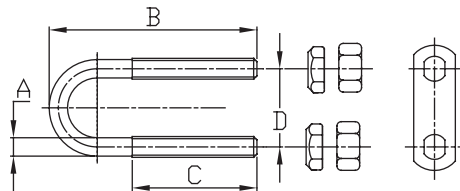


Bow Eye

- Sold by Each
- 304 Stainless Steel Bent and Threaded
- CA Prop 65*



PART NO.	A	B	C	D	BOW PLATE	FASTENER
7846S-B	3/8"	3"	1-1/2"	1-1/2"	2	3/8"
7848S-B	3/8"	3-3/4"	2-1/4"	1-1/2"	2	3/8"
7850S-B	3/8"	4-1/2"	3"	1-1/2"	2	3/8"
7852S-B	1/2"	5-1/4"	3-1/2"	1-7/8"	2	1/2"
7863S-B	1/2"	4-1/2"	2-3/4"	1-7/8"	2	1/2"
7864S-B	1/2"	4-3/4"	3"	1-7/8"	2	1/2"
7854S-B	1/2"	5-7/8"	3-7/8"	1-7/8"	2	1/2"
7856S-B	1/2"	6-1/2"	4-3/8"	1-7/8"	2	1/2"
7858S-B	1/2"	7"	5-1/4"	1-7/8"	2	1/2"



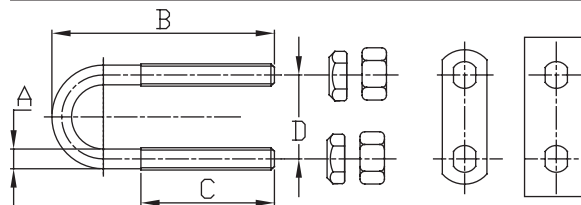
We advise a working load of 1,000 lbs for 3/8" stock diameter and 2,000 lbs for 1/2" stock diameter. Please note for ABYC H-40 section 40.7.1.3 "A bow eye intended for the use of trailering or being towed (e.g., a tender), shall be able to accommodate a direct tension pull, in the forward direction, of one half of the boat weight."

Stern Eye

- Sold by Each
- 304 Stainless Steel Bent and Threaded
- CA Prop 65*



PART NO.	A	B	C	D	BOW PLATE	STERN PLATE	FASTENER
7848S-S	3/8"	3-3/4"	2-1/4"	1-1/2"	1	1	3/8"
7850S-S	3/8"	4-1/2"	3"	1-1/2"	1	1	3/8"
7852S-S	1/2"	5-1/4"	3-1/2"	1-7/8"	1	1	1/2"
7861S-S	1/2"	3-3/4"	2"	1-7/8"	1	1	1/2"
7864S-S	1/2"	4-3/4"	3"	1-7/8"	1	1	1/2"
7865S-S	5/8"	5-1/2"	3"	2"	1	1	5/8"
7867S-S	5/8"	8"	5-1/2"	2"	1	1	5/8"



We advise a working load of 1,000 lbs for 3/8" stock diameter and 2,000 lbs for 1/2" stock diameter. Please note for ABYC H-40 section 40.7.1.3 "A bow eye intended for the use of trailering or being towed (e.g., a tender), shall be able to accommodate a direct tension pull, in the forward direction, of one half of the boat weight."

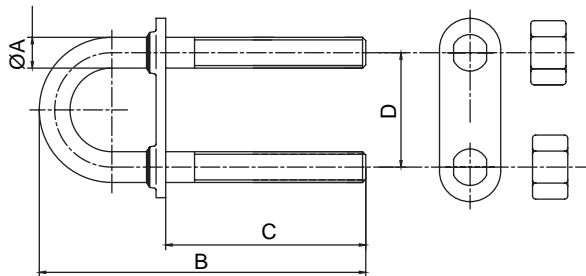
 * **WARNING:** Cancer and Reproductive Harm - www.P65warnings.ca.gov - See page 158 to learn more about California Proposition 65

Welded Bow Eye



- Sold by Each
- 304 Stainless Steel Bent and Welded
- CA Prop 65*

PART NO.	A	B	C	D	BOW PLATE	FASTENER
7848S-WB	3/8"	4"	2-7/16"	1-7/16"	1 Welded + 1	3/8"



We advise a working load of 1,000 lbs for 3/8" stock diameter and 2,000 lbs for 1/2" stock diameter. Please note for ABYC H-40 section 40.7.1.3 "A bow eye intended for the use of trailering or being towed (e.g., a tender), shall be able to accommodate a direct tension pull, in the forward direction, of one half of the boat weight."

Transom Mount Ski Tow



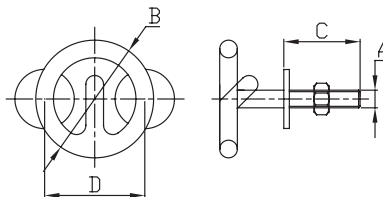
7767SPE



7767S

- Sold by Each
- 304 Stainless Steel Bent and Threaded
- CA Prop 65*

PART NO.	A	B	C	D
7767S	3/8"	2-1/2"	1-1/2"	2-1/8"
7767SPE	3/8"	2-1/2"	To Be Welded On Tubing	2-1/8"
7768S	3/8"	2-1/2"	2"	2-1/8"
7769S	3/8"	3"	2"	2-5/8"
7772S	1/2"	3-1/2"	3-1/2"	3"



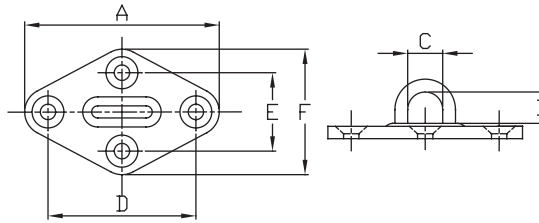
* **WARNING:** Cancer and Reproductive Harm - www.P65warnings.ca.gov - See page 158 to learn more about California Proposition 65

Diamond Pad Eyes



- Sold by Each
- 304 Stainless Steel Stamped
- CA Prop 65*

PART NO.	A	B	C	D	E	F	FASTENER
02321S	2-5/16"	1/2"	7/16"	1-13/16"	1"	1-7/16"	#8 FH
02322S	2-3/8"	9/16"	1"	2"	1"	1-9/16"	#10 FH
02323S	3-1/8"	11/16"	7/8"	2-1/2"	1-3/16"	2"	#12 FH

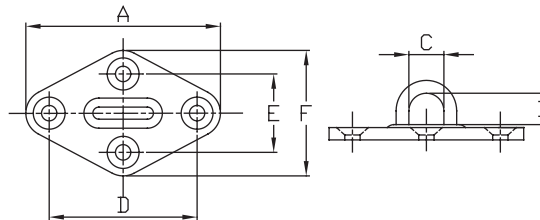


Diamond Pad Eyes



- Sold by Each
- 316 Stainless Steel Cast
- Fastener 1/4" FH
- CA Prop 65*

PART NO.	A	B	C	D	E	F
6330S	3-1/8"	7/16"	3/4"	2-3/8"	1-1/4"	2"
6332S	3-1/2"	1/2"	7/8"	2-5/8"	1-3/8"	2-3/16"
6334S	4"	5/8"	1"	3-1/16"	1-19/32"	2-3/8"



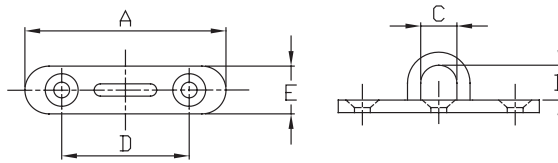
* **WARNING:** Cancer and Reproductive Harm - www.P65warnings.ca.gov - See page 158 to learn more about California Proposition 65

Oblong Pad Eyes



- Sold by Each
- 304 Stainless Steel Stamped
- Fastener #10 FH
- CA Prop 65*

PART NO.	A	B	C	D	E
02341S	1-3/4"	1/2"	11/16"	1-1/4"	9/16"
02342S	2-3/8"	9/16"	15/16"	1-3/4"	13/16"
02343S	3-1/8"	11/16"	1-3/16"	1-3/8"	1"

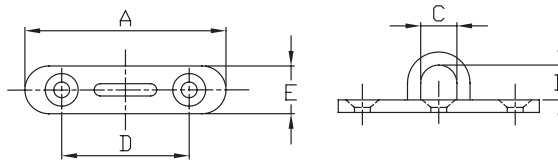


Oblong Pad Eyes



- Sold by Each
- 316 Stainless Steel Cast
- CA Prop 65*

PART NO.	A	B	C	D	E	FASTENER
6340S	2-15/16"	1/2"	5/8"	2-1/8"	7/8"	1/4" FH
6342S	3-1/2"	5/8"	3/4"	2-5/8"	1-1/4"	5/16" FH
6344S	4"	3/4"	7/8"	3"	1-3/8"	5/16" FH

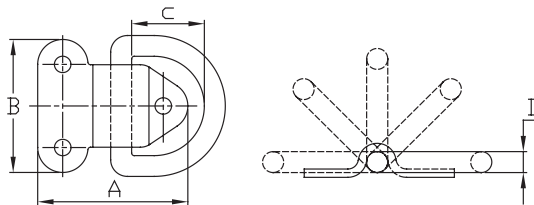


Folding Pad Eyes



- Sold by Each
- 304 Stainless Steel Stamped
- Fastener 1/4" FH
- CA Prop 65*

PART NO.	A	B	C	D	FASTENER	WORKING LOAD
02926S	2-1/4"	2"	15/16"	1/4"	1/4" Round	2,000lbs
02927S	2-1/4"	2"	1"	5/16"	1/4" Round	2,000lbs



* WARNING: Cancer and Reproductive Harm - www.P65warnings.ca.gov - See page 158 to learn more about California Proposition 65

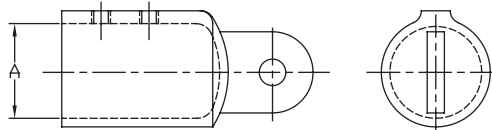
Heavy Duty Top Cap

- Sold by Each
- 316 Stainless Steel Cast
- CA Prop 65*



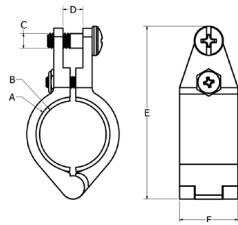
6810SEU

PART NO	SET SCREW	A
6810SEU	Two	7/8"
6811SEU	Two	1"
6818SEU	Two	1-1/4"



Take-Apart Jaw Slide

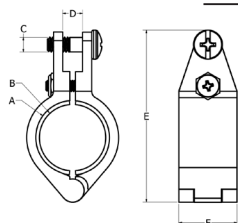
- Sold by Each
- 316 Stainless Steel Cast
- CA Prop 65*



PART NO.	A (FOR RAIL)	B (W/PLATE)	C	D	E	F
6800S	1"	7/8"	1/4"	1/4"	2-13/16"	1-1/8"
6802S	1-1/4"	1-1/8"	1/4"	5/16"	3-1/4"	1"

Hinged Jaw Slide

- Sold by Each
- 316 Stainless Steel Cast
- CA Prop 65*



PART NO.	A (FOR RAIL)	B (W/PLATE)	C	D	E	F
6802SH	1-1/4"	1-1/8"	1/4"	5/16"	2-15/16"	1"
6804SH	1-1/2"	1-3/8"	1/4"	5/16"	3-3/16"	1-1/16"



* **WARNING:** Cancer and Reproductive Harm - www.P65warnings.ca.gov - See page 158 to learn more about California Proposition 65

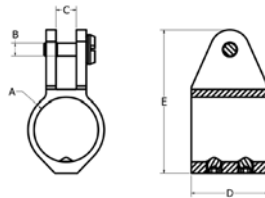
Jaw Slide

- Sold by Each
- 316 Stainless Steel Cast
- CA Prop 65*



6816SEU

PART NO.	SET SCREW	A	B	C	D	E
6815SEU	Two	7/8"	1/4"	5/16"	1-1/4"	2-1/4"
6816SEU	Two	1"	1/4"	5/16"	1-1/4"	2-1/4"
6819SEU	Two	1-1/4"	1/4"	5/16"	1-1/4"	2-11/16"

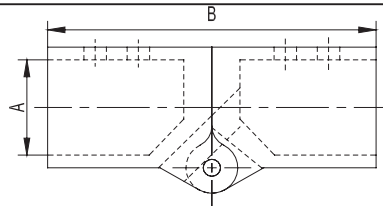


Tube Connector

- Sold by Each
- 316 Stainless Steel Cast
- CA Prop 65*



PART NO.	A	B
6812SEU	7/8"	2-15/16"
6814SEU	1"	2-15/16"

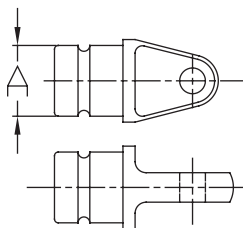


Top Insert

- Sold by Each
- 316 Stainless Steel Cast
- CA Prop 65*



PART NO.	FOR TUBE	A
6820S	3/4"	0.63"
6821S	7/8"	0.74"
6822S	1"	0.83"

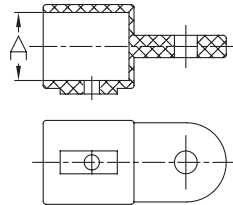


Nylon Top Cap

- Sold by Each
- Nylon Injection Molded
- CA Prop 65*



PART NO.	A
58700B	3/4"
58701B	7/8"

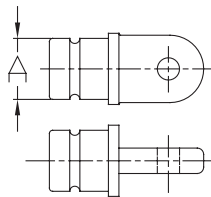


Nylon Top Insert

- Sold by Each
- Nylon Injection Molded
- CA Prop 65*



PART NO.	FOR TUBE	A
58703B	3/4"	0.63"
58704B	7/8"	0.74"

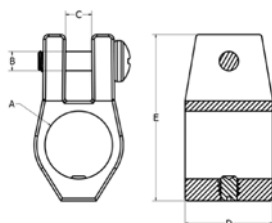


Nylon Jaw Slide

- Sold by Each
- Nylon Injection Molded
- CA Prop 65*



PART NO.	A	B	C	D	E
58706B	3/4"	1/4"	15/16"	1"	1-15/16"
58707B	15/16"	1/4"	5/16"	1-3/16"	2-1/4"



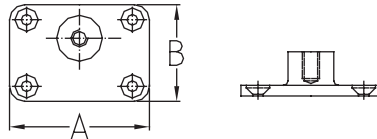
* WARNING: Cancer and Reproductive Harm - www.P65warnings.ca.gov - See page 158 to learn more about California Proposition 65

Heavy Duty Side Mount Deck Hinge



- Sold by Each
- 316 Stainless Steel Cast
- Fastener 1/4" FH
- CA Prop 65*

PART NO.	A	B	PIN SIZE
6825S	2-13/16"	1-7/8"	1/4"

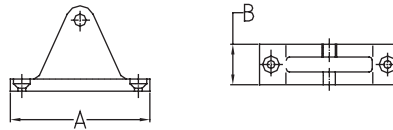


Deck Hinge 90°



- Sold by Each
- 316 Stainless Steel Cast
- Fastener #10 FH
- CA Prop 65*

PART NO.	A	B	PIN SIZE	MOUNTING HOLE SPACING
6828S	2-1/4"	3/4"	1/4"	1-5/8"

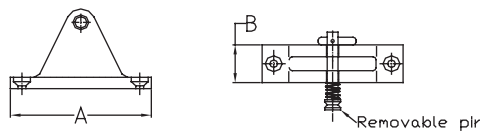


Deck Hinge with Removable Pin 90°



- Sold by Each
- 316 Stainless Steel Cast
- CA Prop 65*

PART NO.	A	B	PIN SIZE	FASTENER
6830S	2-1/4"	3/4"	1/4"	#10 FH ea
6830S-PIN	Removable pin only			

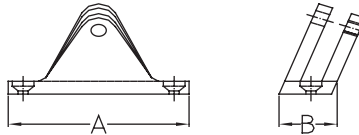


Angle Base Deck Hinge 80°



- Sold by Each
- 316 Stainless Steel Cast
- Fastener #10 FH
- CA Prop 65*

PART NO.	A	B	PIN SIZE
6832S	2-1/4"	3/4"	1/4"

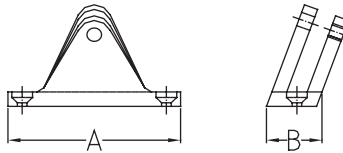


Angle Base Deck Hinge 80° with Removable Pin



- Sold by Each
- 316 Stainless Steel Cast
- Fastener #10 FH
- CA Prop 65*

PART NO.	A	B	PIN SIZE
6834S	2-1/4"	3/4"	1/4"

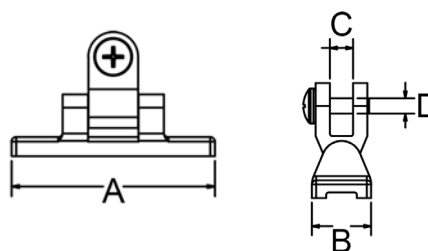


Universal Deck Hinge



- Sold by Each
- 316 Stainless Steel Cast
- Fits #10 Flat Head Fasteners
- CA Prop 65*

PART NO.	A	B	C	D
6838S	2-5/8"	13/16"	5/16"	1/4"



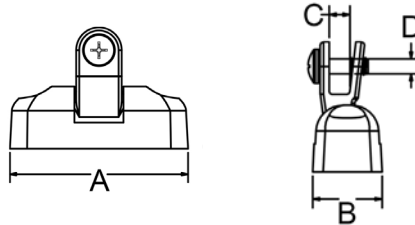
* **WARNING:** Cancer and Reproductive Harm - www.P65warnings.ca.gov - See page 158 to learn more about California Proposition 65

Adjustable Deck Hinge



- Sold by Each
- 316 Stainless Steel Cast
- Fits 1/4" Flat Head Fasteners
- CA Prop 65*

PART NO.	A	B	C	D
6839S	2-3/4"	1"	5/16"	1/4"



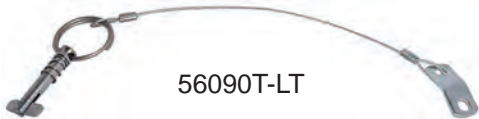
Toggle Pin with Lanyard



56090T

- Sold by Each
- 304 Stainless Steel Machined
- CA Prop 65*

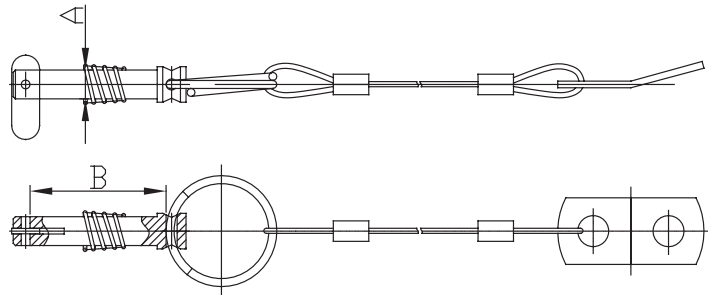
PART NO.	DESCRIPTION	A	B
56090T	Toggle pin only	1/4"	3/4"
56090T-LT	Pin with 6" lanyard TAB	1/4"	3/4"
56090T-LE	Pin with 6" lanyard EYE	1/4"	3/4"



56090T-LT



56090T-LE

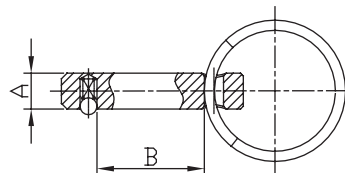


Quick Release Pin



- Sold by Each
- 304 Stainless Steel Machined
- CA Prop 65*

PART NO.	DESCRIPTION	A	B
56093P	Quick release pin only	1/4"	3/4"
56094P	Quick release pin only	1/4"	7/8"
56095P	Quick release pin only	1/4"	1"



 * WARNING: Cancer and Reproductive Harm - www.P65warnings.ca.gov - See page 158 to learn more about California Proposition 65

Lanyard with Eye and Tab

- Sold by Each
- 304 Stainless Steel Formed
- CA Prop 65*

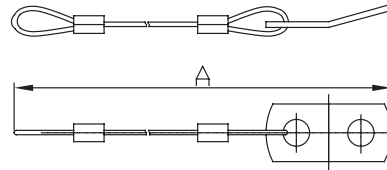


56097T



56097E

PART NO.	DESCRIPTION	A
56097T	6" Nylon Coated Lanyard with Tab	6"
56097E	6" Nylon Coated Lanyard with Eye	6"



Black Knob Set Screw Shaft

- Sold by Each
- 304 Stainless Steel Machined
- CA Prop 65*

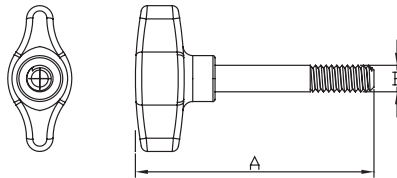


56098R



56098W

PART NO.	DESCRIPTION	A	B
56098R	Round Knob	15/16"	1/4" - 20
56098W	Winged Knob	1-3/8"	1/4" - 20

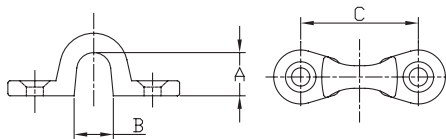


304 Stainless Steel Eye Straps

- Sold by Each
- 304 Stainless Steel Stamped
- Fastener #10
- CA Prop 65*



PART NO.	STOCK DIA	A	B	C
56105S	3/16"	1/2"	5/8"	1-9/16"
56105SPE	3/16"	7/16"	13/16"	1-6/16"
56106S	1/4"	5/8"	15/16"	1-3/4"
56107S	5/16"	21/32"	1-1/32"	1-15/16"



* **WARNING:** Cancer and Reproductive Harm - www.P65warnings.ca.gov - See page 158 to learn more about California Proposition 65

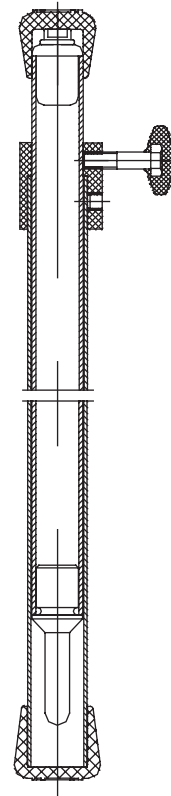
Boat Cover Support Poles



3-in-1 Adjustable

- Sold by Each
- Aluminum Extrusion
- 3-In-1 with a male canvas snap, a grommet tip, and a standard end cap
- Prolong the life of your boat cover by preventing water pockets
- Use knobs to adjust to desired height
- CA Prop 65*

PART NO.	DIMENSION
56110AP	Adjusts from 28" to 55"
56111AP	Adjusts from 40" to 70"



* **WARNING:** Cancer and Reproductive Harm - www.P65warnings.ca.gov - See page 158 to learn more about California Proposition 65

Round Rail Base

- Sold by Each
- 316 Stainless Steel Cast

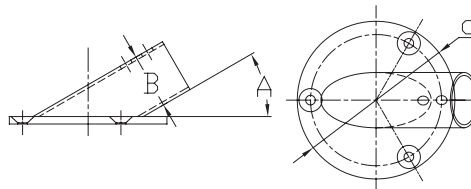
• CA Prop 65*



PART NO.	ANGLE	B	C	FASTENER
6840S	30°	7/8"	2-1/2"	#10 FH
6841S	45°	7/8"	2-1/2"	#10 FH
6842S	60°	7/8"	2-1/2"	#12 FH
6843S	90°	7/8"	2-1/2"	#12 FH

PART NO.	ANGLE	B	C	FASTENER
6845S	30°	1"	2-3/4"	1/4" FH
6846S	45°	1"	2-3/4"	1/4" FH
6847S	60°	1"	2-3/4"	1/4" FH
6848S	90°	1"	2-3/4"	1/4" FH

PART NO.	ANGLE	B	C	FASTENER
6849S	90°	1-1/4"	3"	1/4" FH



Rectangular Rail Base

- Sold by Each
- 316 Stainless Steel Cast

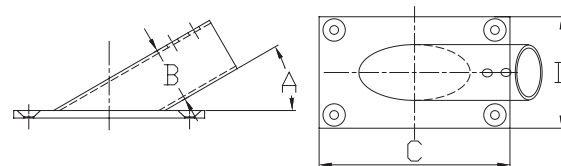
• CA Prop 65*



PART NO.	ANGLE	B	C	D	FASTENER
6850S	30°	7/8"	3"	1-3/4"	#12 FH
6851S	45°	7/8"	3"	1-3/4"	#12 FH
6852S	60°	7/8"	3"	1-3/4"	#10 FH
6853S	90°	7/8"	3"	1-3/4"	#12 FH

PART NO.	ANGLE	B	C	D	FASTENER
6855S	30°	1"	3-1/2"	1-7/8"	1/4" FH
6856S	45°	1"	3-1/2"	1-7/8"	1/4" FH
6857S	60°	1"	3-1/2"	1-7/8"	1/4" FH
6858S	90°	1"	3-1/2"	1-7/8"	1/4" FH

PART NO.	ANGLE	B	C	D	FASTENER
6859S	90°	1-1/4"	3-1/4"	1-7/8"	1/4" FH



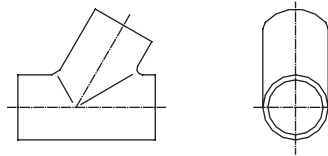
 * **WARNING:** Cancer and Reproductive Harm - www.P65warnings.ca.gov - See page 158 to learn more about California Proposition 65

Handrail Tee Angled

- Sold by Each
- 316 Stainless Steel Cast
- CA Prop 65*



PART NO.	ANGLE	TUBE O.D.
6870S	60°	7/8"
6871S	60°	1"

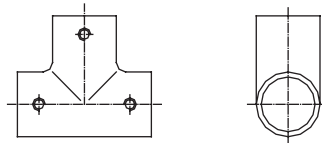


Handrail Tee

- Sold by Each
- 316 Stainless Steel Cast
- CA Prop 65*



PART NO.	ANGLE	TUBE O.D.
6872S	90°	7/8"
6873S	90°	1"
6874S	90°	1-1/4"

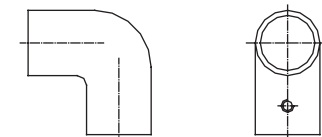


2-Way Handrail Elbow

- Sold by Each
- 316 Stainless Steel Cast
- CA Prop 65*



PART NO.	ANGLE	TUBE O.D.
6876S	90°	7/8"
6877S	90°	1"
6880S	90°	1-1/4"

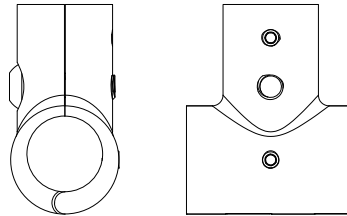


Hinged Hand Rail Tee

- Sold by Each
- 316 Stainless Steel Cast
- CA Prop 65*



PART NO.	ANGLE	TUBE O.D.
6872SH	90°	7/8"
6873SH	90°	1"

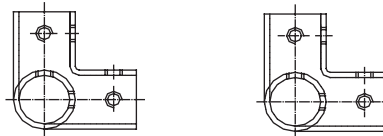


3-Way Handrail Elbow

- Sold by Each
- 316 Stainless Steel Cast
- CA Prop 65*



PART NO.	ANGLE	TUBE O.D.
6878S	90°	7/8"
6879S	90°	1"

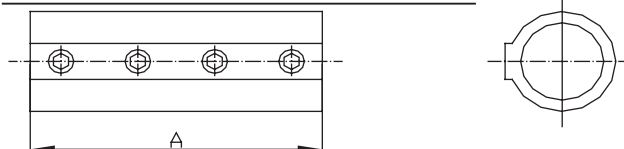


Heavy Duty Tube Connector

- Sold by Each
- 316 Stainless Steel Cast
- CA Prop 65*



PART NO.	A	TUBE O.D.
6895S	3"	7/8"
6896S	3"	1"
6898S	3"	1-1/4"



 * **WARNING:** Cancer and Reproductive Harm - www.P65warnings.ca.gov - See page 158 to learn more about California Proposition 65

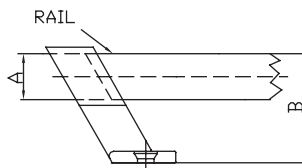
Stainless Steel 316 Handrail Stanchions

- Sold by Each
- 316 Stainless Steel Cast
- Uses 1/4"-28 set screw for rail installation.
- Each base is pre-drilled with two countersunk holes for #10 screws
- Port-side Stanchions (-P) have set screws on the left side of bushing
- Starboard Stanchions (-S) have set screws on the right side of bushing
- CA Prop 65*



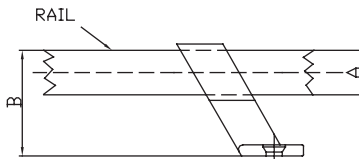
6862S

PART NO.	ANGLE	POSITION	SET SCREWS	A	B	FASTENER
6862S	120°	Forward	N/A	7/8"	1-13/16"	#10 FH
6867S	120°	Forward	N/A	1"	2-3/16"	#10 FH



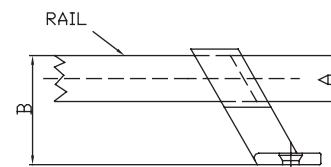
6861S-P

PART NO.	ANGLE	POSITION	SET SCREWS	A	B	FASTENER
6861S	60°	Center	N/A	7/8"	1-13/16"	#10 FH
6861S-P	60°	Center	Left Hand	7/8"	1-13/16"	#10 FH
6861S-S	60°	Center	Right Hand	7/8"	1-13/16"	#10 FH
6866S	60°	Center	N/A	1"	2-3/16"	1/4" FH



6860S-P

PART NO.	ANGLE	POSITION	SET SCREWS	A	B	FASTENER
6860S	60°	Aft	N/A	7/8"	1-13/16"	#12 FH
6860S-P	60°	Aft	Left Hand	7/8"	1-13/16"	#12 FH
6860S-S	60°	Aft	Right Hand	7/8"	1-13/16"	#12 FH
6865S	60°	Aft	N/A	1"	2-3/16"	1/4" FH



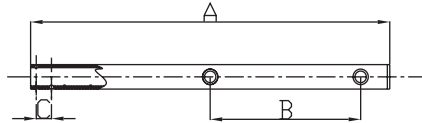
 * **WARNING:** Cancer and Reproductive Harm - www.P65warnings.ca.gov - See page 158 to learn more about California Proposition 65

Cylindrical Tip Stanchion



- Sold by Each
- 304 Stainless Steel Tubing
- Stainless Steel Tube 1" O.D.
- With double lifeline holes
- CA Prop 65*

PART NO.	A	B	C
6015S	23-1/2"	11-3/32"	1"

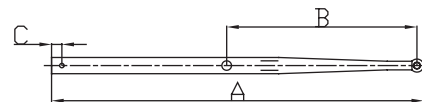


Tapered Tip Stanchion



- Sold by Each
- 304 Stainless Steel Tubing
- Stainless Steel Tube 1" O.D.
- With double lifeline holes
- CA Prop 65*

PART NO.	A	B	C
6016S	24-1/2"	11-3/4"	1-3/8"



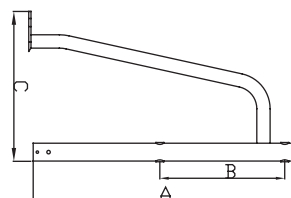
Gate Stanchion



6017SR

- Sold by Each
- 304 Stainless Steel Tubing
- Stainless Steel Tube 1" O.D.
- With double lifeline holes
- CA Prop 65*

PART NO.	A	B	C	RAIL SIDE
6017SR	24"	11-3/32"	13-1/2"	Right
6017SL	24"	11-3/32"	13-1/2"	Left



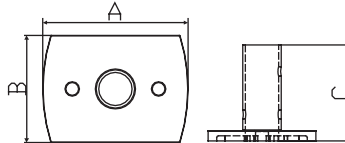
* **WARNING:** Cancer and Reproductive Harm - www.P65warnings.ca.gov - See page 158 to learn more about California Proposition 65

Cast Stanchion Base



- Sold by Each
- 316 Stainless Steel Cast
- Stainless Steel Base for 6015S, 6017SR, 6017SL
- Fastener 1/4" Stud, 2-1/2" Length
- CA Prop 65*

PART NO.	A	B	C
6018S	3-11/32"	2-1/2"	2-1/4"

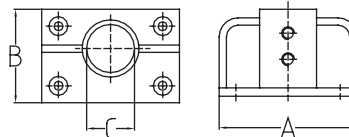


Cast Stanchion Base



- Sold by Each
- 316 Stainless Steel Cast
- Stainless Steel Base for all the stanchions with 1" O.D. tube
- Fastener 1/4" FH
- Square deck plate, double baled
- CA Prop 65*

PART NO.	ANGLE	A	B	C
6020S	15°	3-7/16"	3"	1"

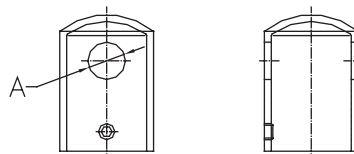


Heavy Duty Stanchion Cap



- Sold by Each
- 316 Stainless Steel Cast
- CA Prop 65*

PART NO.	A	TUBE O.D.
6897S	5/16"	1"

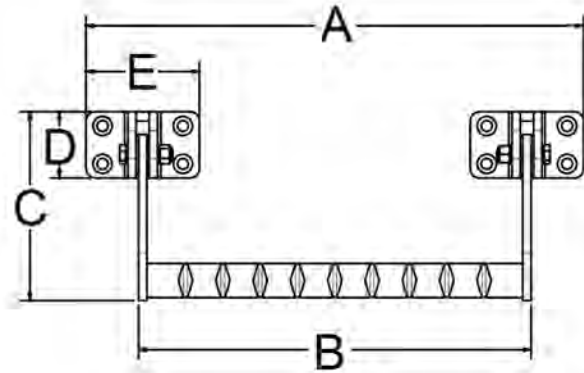


Top Mounted Folding Grab Rail



- Sold by Each
- 304 Stainless Steel Tubing
- CA Prop 65*

PART NO.	A	B	C	D	E	F	G
7952S	13-3/16"	10-3/8"	5"	1-3/4"	3"	1-1/2"	3"

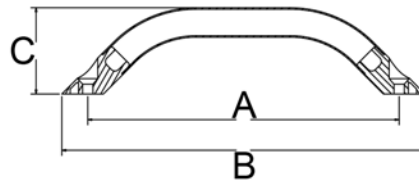


Top Mounted Grab Rail



- Sold by Each
- 316 Stainless Steel Tubing & Cast Ends
- 45° Terminal Angle
- 1" x 3/4" Oval Tubing
- Fastener 1/4" Oval Head
- CA Prop 65*

PART NO.	A	B	C	FASTENER
7920S	8-7/8"	7-5/8"	2-1/8"	1/4" Oval head



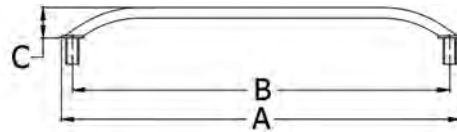
Oval Grab Rail

- Sold by Each
- 304 Stainless Steel Tubing
- 45° Terminal Angle

- Stud 5/16"-18, Stud Length 1-7/8"
- 1" x 3/4" Tube
- CA Prop 65*



PART NO.	A	B	C	FASTENER
7870S	12"	10-3/4"	2-1/8"	5/16"-18
7872S	17-1/4"	16"	2-1/8"	5/16"-18
7873S	18"	16-3/4"	2-1/8"	5/16"-18
7875S	24"	22-3/4"	2-1/8"	5/16"-18
7878S	36"	34-3/4"	2-1/8"	5/16"-18



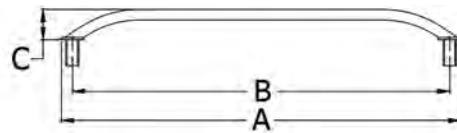
45° Angled Grab Rail

- Sold by Each
- 304 Stainless Steel Tubing
- 45° Terminal Angle

- Stud 5/16"-18, Stud Length 1-3/8"
- 7/8" Tube
- CA Prop 65*

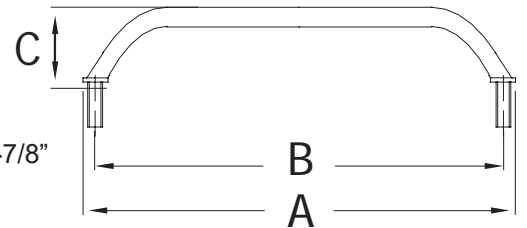


PART NO.	A	B	C	FASTENER
7882S	9-1/4"	8"	2-1/2"	5/16"-18
7884S	12-1/4"	11"	2-1/2"	5/16"-18
7886S	14-1/4"	13"	2-1/2"	5/16"-18
7888S	18-1/4"	17"	2-1/2"	5/16"-18
7889S	25-1/4"	24"	2-1/2"	5/16"-18



60° Angled Grab Rail

- Sold by Each
- 316 Stainless Steel Tubing
- 7/8" Tubing
- Stud 5/16"-18, Stud Length 1-7/8"
- 60° Terminal Angle
- CA Prop 65*



PART NO.	A	B	C	FASTNER	OFFSET
7904S	9-5/16"	8-1/16"	2-1/2"	5/16"-18	0°
7914S	9-5/16"	8-1/16"	2-1/2"	5/16"-18	20°

 * **WARNING:** Cancer and Reproductive Harm - www.P65warnings.ca.gov - See page 158 to learn more about California Proposition 65

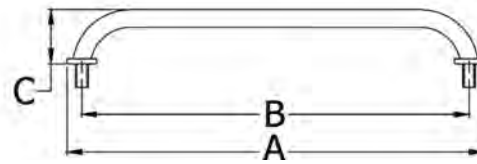
Round Grab Rail



- Sold by Each
- 304 Stainless Steel Tubing
- Stud 3/8"-16, Stud Length 1-3/8"

- 1" Tube
- CA Prop 65*

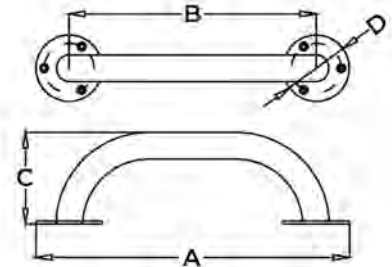
PART NO.	A	B	C	FASTENER
7892S	15-1/4"	14"	3"	3/8" Nut
7892SPE	Same As 7892S with threaded flange / no stud			3/8" Stud
7895S	25-1/4"	24"	3"	3/8" Nut
7895SPE	Same As 7895S with threaded flange / no stud			3/8" Stud
7899S	35-1/4"	34"	3"	3/8" Nut
7899SPE	Same As 7899S with threaded flange / no stud			3/8" Stud



Tall Grab Rail



- Sold by Each
- 304 Stainless Steel Tubing
- Fastener #8 FH
- 1" Tubing
- CA Prop 65*

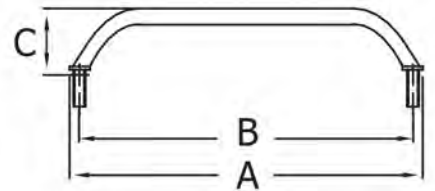


PART NO.	A	B	C	D
78810S	12"	9-1/2"	3-7/16"	2-1/2"
78813S	18"	15-1/2"	3-7/16"	2-1/2"
78815S	24"	21-1/2"	3-7/16"	2-1/2"
78818S	36"	33-1/2"	4-1/2"	2-1/2"
78819S	48"	45-1/2"	4-1/2"	2-1/2"

Thin Grab Rail



- Sold by Each
- 304 Stainless Steel Tubing
- 3/4" Tubing
- Stud 1/4"-20, Stud Length 2"
- CA Prop 65*



PART NO.	A	B	C	FASTNER
70250	8-5/8"	7-1/2"	2-3/8"	1/4"-20

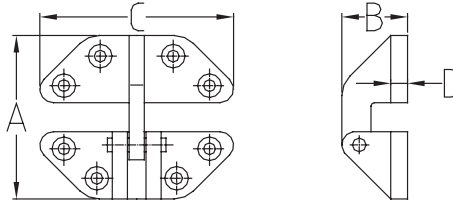
 * **WARNING:** Cancer and Reproductive Harm - www.P65warnings.ca.gov - See page 158 to learn more about California Proposition 65

Hatch Hinge



- Sold by Pair
- 316 Stainless Steel Cast
- Quick-release Pin For Easy Separation
- CA Prop 65*

PART NO.	A	B	C	D	FASTENER
6080S	2-5/8"	1-5/32"	2-7/8"	1/4"	#10 FH pr

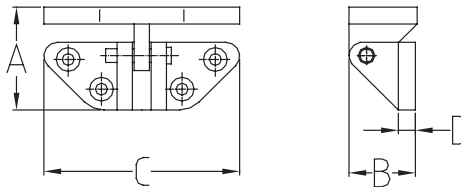


Angle Base Hatch Hinge



- Sold by Pair
- 316 Stainless Steel Cast
- Quick-release Pin For Easy Separation
- CA Prop 65*

PART NO.	A	B	C	D	FASTENER
6082S	1-5/8"	1-5/32"	2-7/8"	1/4"	#10 FH pr



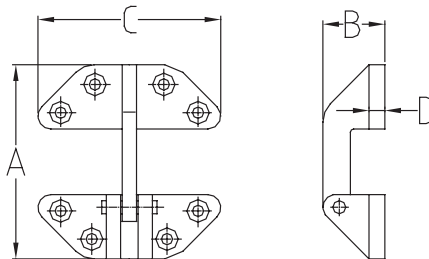
Long Reach Hatch Hinge



- Sold by Pair
- 316 Stainless Steel Cast
- CA Prop 65*

PART NO.	A	B	C	D	FASTENER
6084S	3-5/8"	1-5/32"	2-7/8"	1/4"	#10 FH pr
6084SPE	3-5/8"	1-5/32"	2-7/8"	1/4"	1/4" FH pr

The groove of 6084SPE is 3/32" wider than 6084S to accommodate for powder coating thickness.

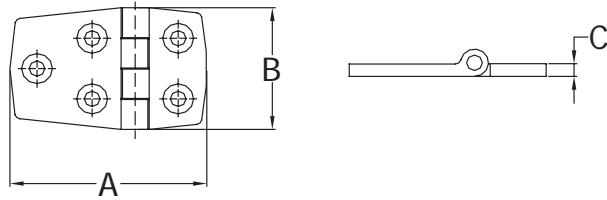


Cast Short Side Door Hinge



- Sold by Pair
- 316 Stainless Steel Cast
- CA Prop 65*

PART NO.	A	B	C	FASTENER
6104S	2-3/8"	1-1/2"	3/16"	#10 FH
6106S	2-7/8"	1-1/2"	3/16"	#10 FH

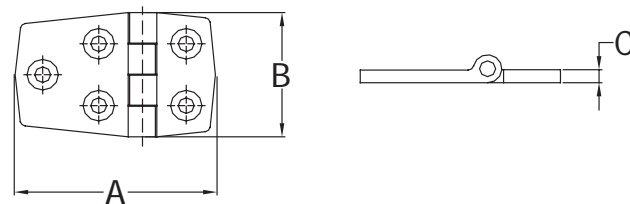


Stamped Short Side Door Hinge



- Sold by Pair
- 304 Stainless Steel Stamped
- CA Prop 65*

PART NO.	A	B	C	FASTENER
7722ES	2-1/4"	1-7/16"	1/16"	#12 FH

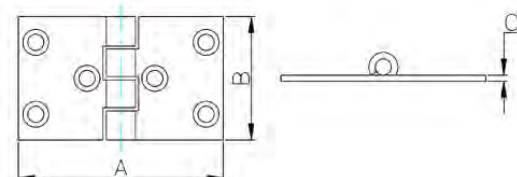


Stamped Door Hinge



- Sold by Each
- 316 Stainless Steel Stamped
- CA Prop 65*

PART NO.	A	B	C	FASTENER
7711ES	2-1/2"	1-1/2"	25/32"	#12 FH



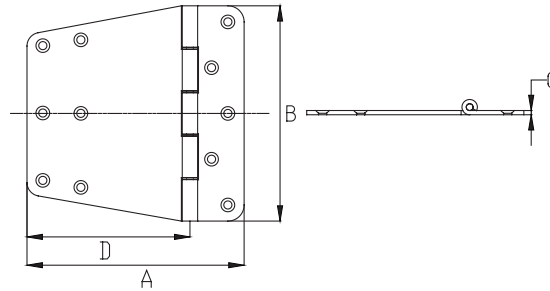
* WARNING: Cancer and Reproductive Harm - www.P65warnings.ca.gov - See page 158 to learn more about California Proposition 65

Dive Door Hinge

- Sold by Each
- 304 Stainless Steel Formed
- CA Prop 65*



PART NO.	A	B	C	D	FASTENER
6107S	10"	10"	3/16"	7-1/2"	5/16" FH

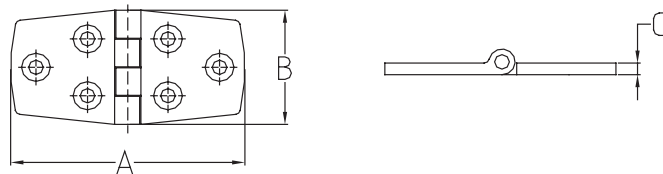


Cast Door Hinge

- Sold by Each
- 316 Stainless Steel Cast
- CA Prop 65*



PART NO.	A	B	C	FASTENER
6108S	3"	1-1/2"	3/16"	#10 FH
6110S	4-1/8"	1-1/2"	3/16"	#10 FH

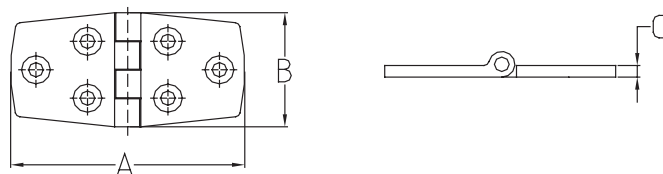


Stamped Door Hinge

- Sold by Pair
- 304 Stainless Steel Stamped
- CA Prop 65*



PART NO.	A	B	C	FASTENER
7719ES	3"	1-7/16"	1/16"	#12 FH



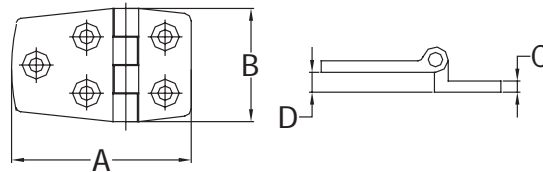
 * WARNING: Cancer and Reproductive Harm - www.P65warnings.ca.gov - See page 158 to learn more about California Proposition 65

Offset Hinge



- Sold by Pair
- 316 Stainless Steel Cast
- CA Prop 65*

PART NO.	A	B	C	D	FASTENER
6100S	2-1/8"	1-1/2"	5/16"	3/8"	#10 FH

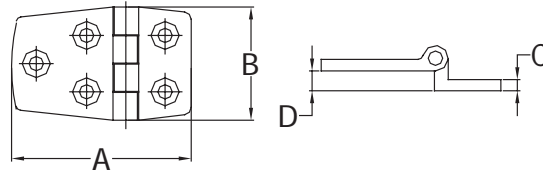


Stamped Offset Hinge



- Sold by Pair
- 304 Stainless Steel Stamped
- CA Prop 65*

PART NO.	A	B	C	D	FASTENER
7723ES	2-5/8"	1-7/16"	1/16"	3/4"	#12 FH
7724ES	2-5/8"	1-7/16"	1/16"	5/8"	#12 FH
7725ES	2-5/8"	1-7/16"	1/16"	1/2"	#12 FH

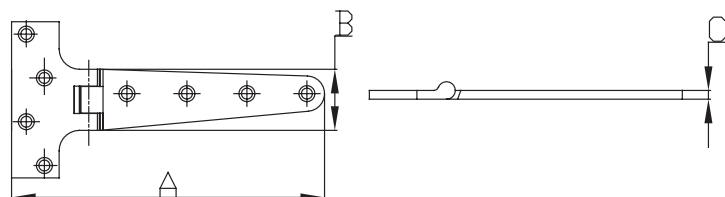


T-Hinge



- Sold by Pair
- 316 Stainless Steel Cast
- CA Prop 65*

PART NO.	A	B	C	FASTENER
6126S	7-3/4"	3-7/8"	7/32"	#12 FH



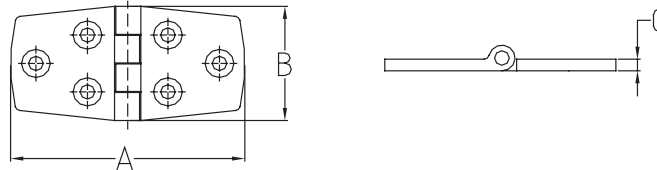
 * **WARNING:** Cancer and Reproductive Harm - www.P65warnings.ca.gov - See page 158 to learn more about California Proposition 65

Locker Hinge



- Sold by Pair
- 304 Stainless Steel Stamped
- CA Prop 65*

PART NO.	A	B	C	FASTENER
7731ES	6"	3"	1/16"	#12 FH



Round Hinges



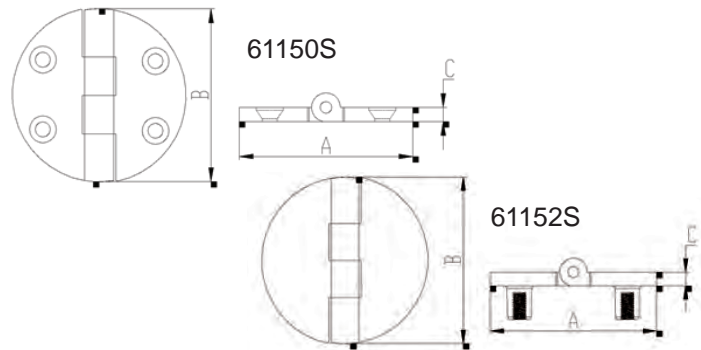
61150S



61152S

- Sold by Each
- 316 Stainless Steel Cast
- CA Prop 65*

PART NO.	A	B	C	FASTENER
61150S	2.45"	2.45"	0.2"	10-24 UNC
61152S	2.45"	2.45"	0.2"	10-24 UNC

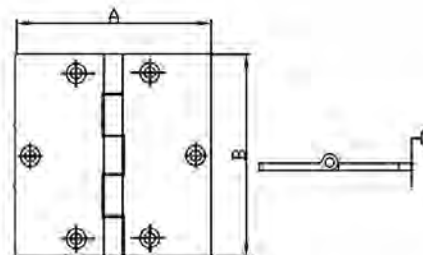


Cast Butt Hinge



- Sold by Each
- 316 Stainless Steel Cast
- CA Prop 65*

PART NO.	A	B	C	FASTENER
6115S	3"	3"	5/32"	#12 FH



Oval Hinge, Stud Mount

- Sold by Each
- 316 Stainless Steel Cast
- CA Prop 65*

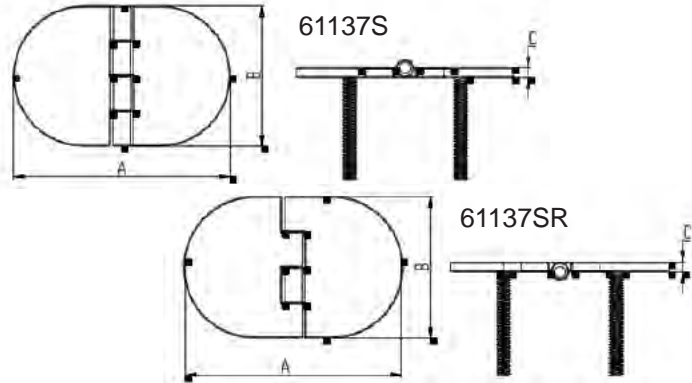


61137S



61137SR

PART NO.	A	B	C	FASTENER
61137S	4.0"	2.578"	0.175"	1/4"-20
61137SR	4.0"	2.578"	0.175"	1/4"-20

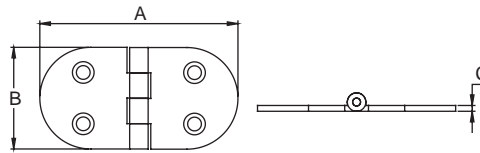


Oval Hinge, Top Mount

- Sold by Each
- 316 Stainless Steel Cast
- CA Prop 65*



PART NO.	A	B	C	FASTENER
61131S	3"	1-1/2"	0.087"	#10 FH

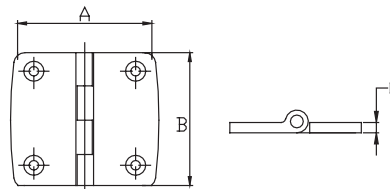


Stamped Butt Hinge

- Sold by Each
- 304 Stainless Steel Fabricated
- CA Prop 65*



PART NO.	A	B	C	FASTENER
7720ES	1-3/8"	1-5/8"	5/32"	#8 FH



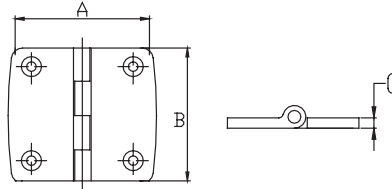
 * **WARNING:** Cancer and Reproductive Harm - www.P65warnings.ca.gov - See page 158 to learn more about California Proposition 65

Butt Hinge



- Sold by Pair
- 316 Stainless Steel Stamped
- CA Prop 65*

PART NO.	A	B	C	FASTENER
6114S	1-1/2"	1-1/2"	3/16"	#12 FH
6116S	2"	2"	3/16"	#12 FH

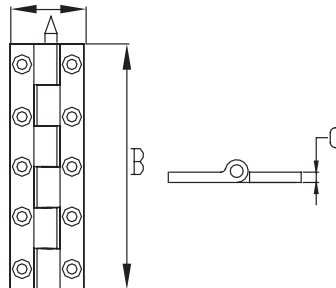


Butt Hinge, Narrow / Piano Hinge



- Sold by Each
- 316 Stainless Steel Stamped
- CA Prop 65*

PART NO.	A	B	C	FASTENER
61141S	1-1/2"	5"	3/32"	#10 FH

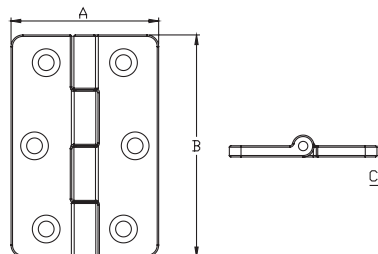


Butt Hinge



- Sold by Each
- 316 Stainless Steel Cast
- CA Prop 65*

PART NO.	A	B	C	FASTENER
61142S	2"	3"	5/32"	#12 FH

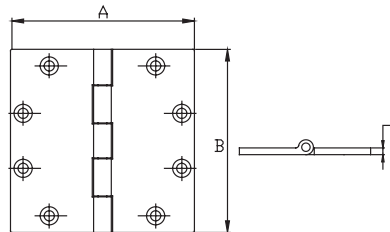


Large Butt Hinge



- Sold by Each
- 316 Stainless Steel Cast
- CA Prop 65*

PART NO.	A	B	C	FASTENER
6117S	4"	4"	5/32"	1/4" FH
6118S	5"	5"	5/32"	1/4" FH

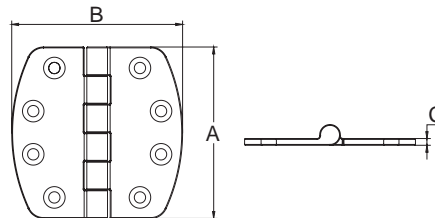


Large Crescent Butt Hinge



- Sold by Each
- 316 Stainless Steel Cast
- CA Prop 65*

PART NO.	A	B	C	FASTENER
6117CS	4"	4"	5/32"	1/4" FH

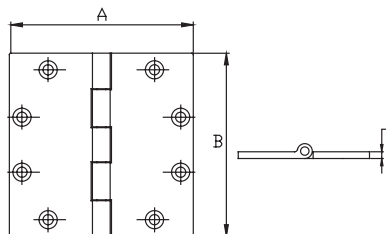


Flush Mount Butt Hinge



- Sold by Each
- 316 Stainless Steel Cast
- CA Prop 65*

PART NO.	A	B	C	FASTENER
6117SR	4"	4"	5/32"	1/4" FH
6118SR	5"	5"	5/32"	1/4" FH



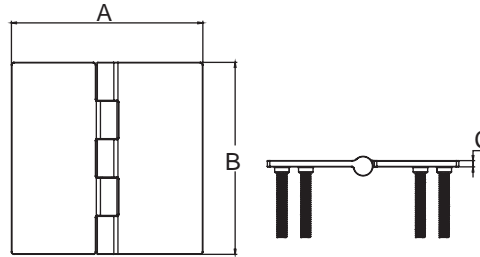
* **WARNING:** Cancer and Reproductive Harm - www.P65warnings.ca.gov - See page 158 to learn more about California Proposition 65

Flush Mount Studded Butt Hinge



- Sold by Each
- 316 Stainless Steel Cast
- CA Prop 65*

PART NO.	A	B	C	FASTENER
6118SRH	5"	5"	5/32"	#12 FH

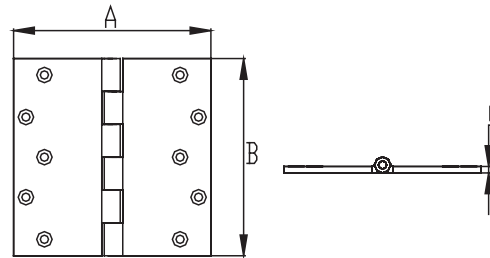


Large Butt Hinge



- Sold by Each
- 316 Stainless Steel Cast
- CA Prop 65*

PART NO.	A	B	C	FASTENER
6119S	6"	6"	3/16"	1/4" FH

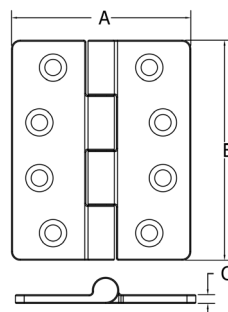


Butt Hinge



- Sold by Each
- 316 Stainless Steel Cast
- CA Prop 65*

PART NO.	A	B	C	FASTENER
61143S	3-1/4"	4"	3/16"	1/4" FH



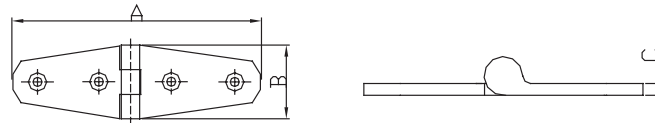
 * WARNING: Cancer and Reproductive Harm - www.P65warnings.ca.gov - See page 158 to learn more about California Proposition 65

Strap Hinge



- Sold by Pair
- 316 Stainless Steel Cast
- CA Prop 65*

PART NO.	A	B	C	FASTENER
6120S	4-1/16"	1-1/16"	3/16"	#12 FH
6121S	5-1/4"	1-1/16"	3/16"	#10 FH
6122S	6-1/4"	1-1/16"	3/16"	#10 FH

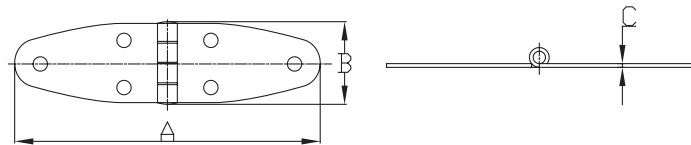


Strap Hinge



- Sold by Pair
- 304 Stainless Steel Stamped
- CA Prop 65*

PART NO.	A	B	C	FASTENER
7728ES	5-5/8"	1-1/2"	1/16"	#12 FH
7729ES	4"	1-3/32"	1/16"	#12 FH

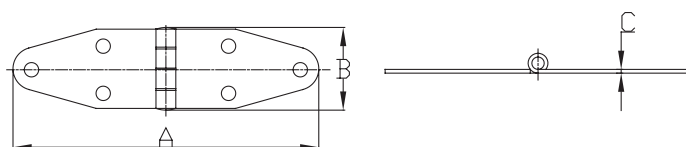


Strap Hinge



- Sold by Pair
- 304 Stainless Steel Stamped
- CA Prop 65*

PART NO.	A	B	C	FASTENER
7727ES	7-1/8"	1-5/8"	1/16"	#12 FH



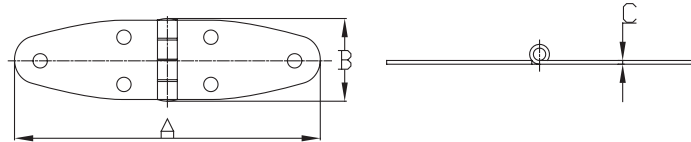
 * **WARNING:** Cancer and Reproductive Harm - www.P65warnings.ca.gov - See page 158 to learn more about California Proposition 65

Flush Mount Strap Hinge



- Sold by Pair
- 304 Stainless Steel Stamped
- CA Prop 65*

PART NO.	A	B	C	FASTENER
7721ES	7-1/8"	1-1/2"	1/16"	#8 FH

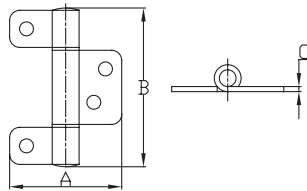


Bi-Fold Door Hinge



- Sold by Pair
- 304 Stainless Steel Stamped
- CA Prop 65*

PART NO.	A	B	C	FASTENER
07435ES	3-7/16"	2"	1/16"	1/4" FH

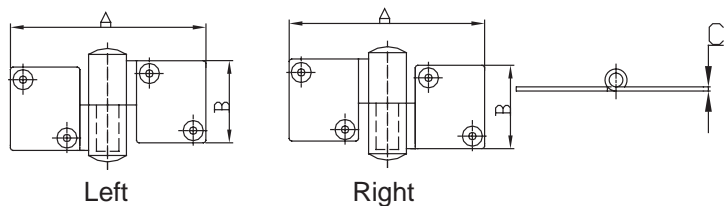


Take Apart Hinge



- Sold by Pair
- 316 Stainless Steel Cast
- CA Prop 65*

PART NO.	A	B	C	FASTENER	DOOR
6112S-R	3-9/16"	2"	7/32"	#10 FH pr	Right
6112S-L	3-9/16"	2"	7/32"	#10 FH pr	Left

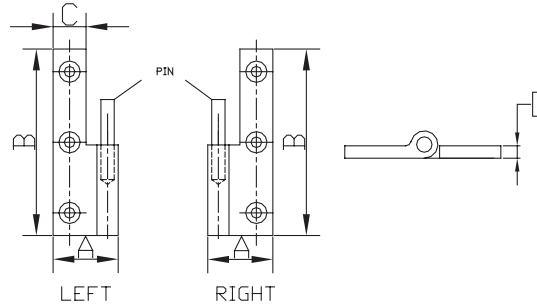


Take Apart Hinge



- Sold by Pair
- 316 Stainless Steel Cast
- Teflon Washers
- CA Prop 65*

PART NO.	A	B	C	D	FASTENER	DOOR
2030HS-L	1"	1-1/2"	1/2"	3/32"	#8 FH	Left
2030HS-R	1"	1-1/2"	1/2"	3/32"	#8 FH	Right
2034HS-L	1"	2-3/4"	1/2"	3/32"	#8 FH	Left
2034HS-R	1"	2-3/4"	1/2"	3/32"	#8 FH	Right

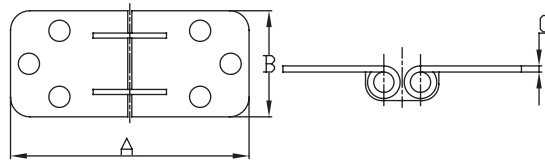


Flush Mount Double Pin Hinge



- Sold by Pair
- 304 Stainless Steel Stamped
- CA Prop 65*

PART NO.	A	B	C	FASTENER
7712ES	2-13/16"	1-9/16"	1/16"	#12 FH

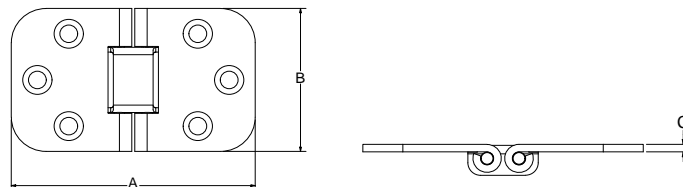


Flush Mount Double Pin Hinge



- Sold by Pair
- 304 Stainless Steel Stamped
- CA Prop 65*

PART NO.	A	B	C	FASTENER
7713ES	2-3/4"	1-5/8"	1/16"	#8



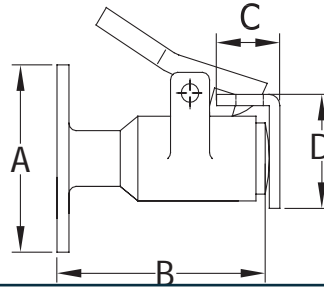
 * **WARNING:** Cancer and Reproductive Harm - www.P65warnings.ca.gov - See page 158 to learn more about California Proposition 65

Cushioned Door Holder



- Sold by Each
- 316 Stainless Steel Cast
- Fastener #6 FH
- CA Prop 65*

PART NO.	A	B	C	D
2400SS	2"	2-1/2"	1-7/8"	7/8"
2402SS	2"	4"	1-7/8"	7/8"

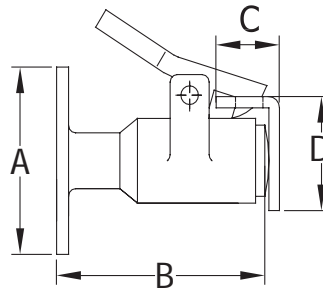


Cushioned 90° Door Holder



- Sold by Each
- 316 Stainless Steel Cast
- Fastener #6 FH
- CA Prop 65*

PART NO.	A	B	C	D	E
2406SS	2"	3-1/4"	3/4"	1-3/16"	1-1/4"

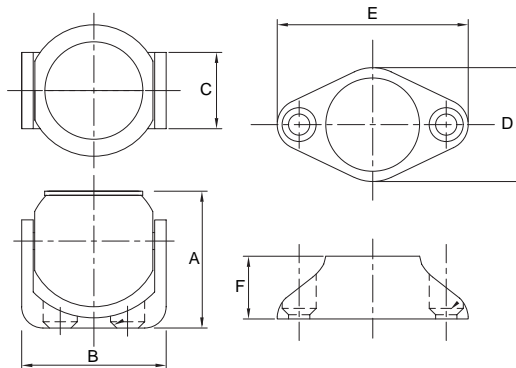


Magnetic Door Holder



- Sold by Each
- 316 Stainless Steel Cast
- Fastener #10 FH
- CA Prop 65*

PART NO.	A	B	C	D	E	F	FASTENER	Strength
2420SS	1-1/4"	1-3/8"	23/32"	1"	1-3/4"	19/32"	#8 Oval	4lbs
2421SS	1-1/4"	1-3/8"	23/32"	1"	1-3/4"	19/32"	#8 Oval	10lbs



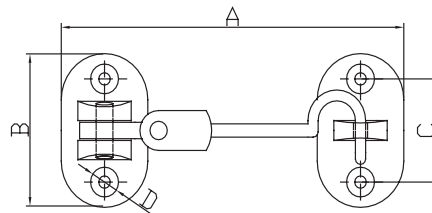
 * WARNING: Cancer and Reproductive Harm - www.P65warnings.ca.gov - See page 158 to learn more about California Proposition 65

Gooseneck Cabin Door Hook



- Sold by Each
- 316 Stainless Steel Cast
- Fastener #6 FH
- CA Prop 65*

PART NO.	A	B	C	D
2600S	4"	1-5/8"	1"	#8

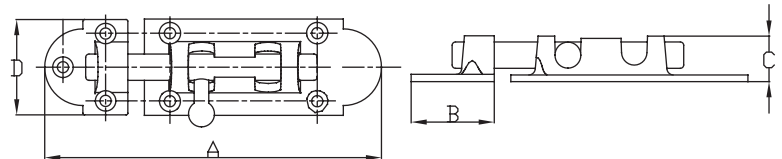


Cast Heavy Duty Barrel Bolt



- Sold by Each
- 316 Stainless Steel Cast
- Contains Plastic Backing For A Rattle Free, Smooth Operation
- CA Prop 65*

PART NO.	BOLT	A	B	C	D	FASTENER
6598S	3"	3-5/8"	1-3/8"	5/8"	1-1/2"	#8 FH
6599S	4"	4-1/4"	1-3/8"	5/8"	1-1/2"	#10 FH

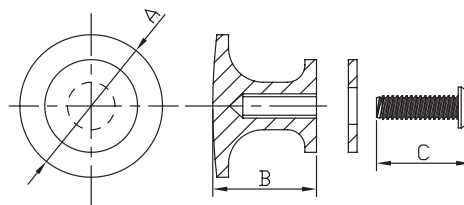


Drawer Knob



- Sold by Each
- 304 Stainless Steel Stamped
- Fastener #10 FH
- CA Prop 65*

PART NO.	A	B	C
7100-01-DK	7/8"	5/8"	1"



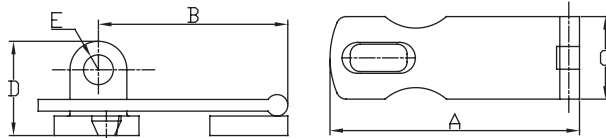
* **WARNING:** Cancer and Reproductive Harm - www.P65warnings.ca.gov - See page 158 to learn more about California Proposition 65

Swivel Hasp



- Sold by Each
- 316 Stainless Steel Cast
- Fastener #10 FH
- CA Prop 65*

PART NO.	A	B	C	D	E
6500S	3"	2-1/4"	1"	1-1/8"	3/8"

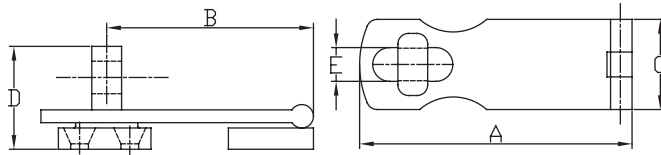


Swivel Hasp



- Sold by Each
- 304 Stainless Steel Stamped
- CA Prop 65*

PART NO.	A	B	C	D	E	FASTENER
7750S	2-3/4"	1-7/8"	1"	7/8"	5/16"	#10 FH
7751S	3-3/4"	3"	1"	7/8"	5/16"	#8 FH

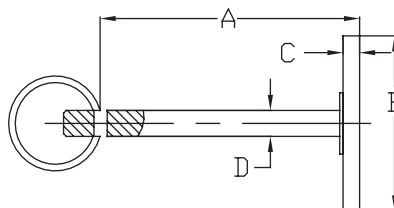


Hatch Cover Pull



- Sold by Each
- 304 Stainless Steel Stamped
- Fastener #6 FH
- CA Prop 65*

PART NO.	A	B	C	D
01232SPE	1-15/16"	1-1/4"	1/8"	1/4"



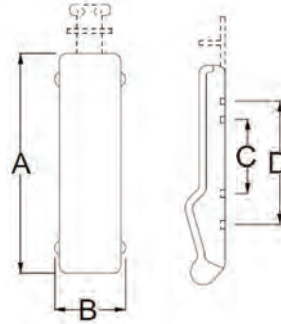
 * WARNING: Cancer and Reproductive Harm - www.P65warnings.ca.gov - See page 158 to learn more about California Proposition 65

Soft Draw Latch



- Sold by Each
- Thermoplastic Elastomer, 304 Stainless Steel Fabricated
- CA Prop 65*

PART NO.	A	B	C	D
8180B	4-5/32"	1-1/4"	1-1/2"	2-5/16"



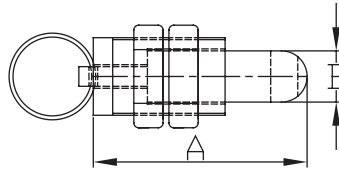
* **WARNING:** Cancer and Reproductive Harm - www.P65warnings.ca.gov - See page 158 to learn more about California Proposition 65

Hatch Lock Fastener



- Sold by Each
- 316 Stainless Steel Cast
- Fastener #10 FH
- CA Prop 65*

PART NO.	MATERIAL	A	B
8088S	Stainless	2-1/4"	3/4"

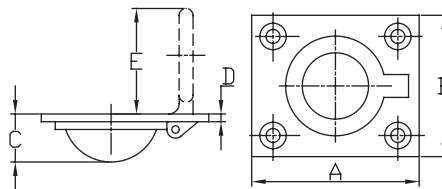


Square Ring Pull



- Sold by Each
- 316 Stainless Steel Cast
- Fastener #6 FH
- CA Prop 65*

PART NO.	A	B	C	D	E
6090S	1-7/8"	1-1/2"	1/2"	3/16"	1"

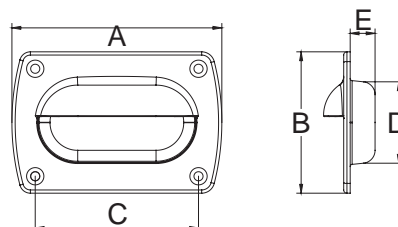


Flush Drawer Pull



- Sold by Each
- 316 Stainless Steel Cast
- CA Prop 65*

PART NO.	A	B	C	D	E
6541S	3-13/16"	2-5/8"	3"	1-1/2"	7/16"

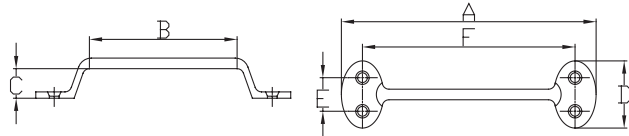


Grab Handle



- Sold by Each
- 316 Stainless Steel Cast
- Fastener #12 FH
- CA Prop 65*

PART NO.	A	B	C	D	E	F
6539S	5-21/32"	2-7/8"	1-1/2"	1-21/32"	7/8"	4-13/16"

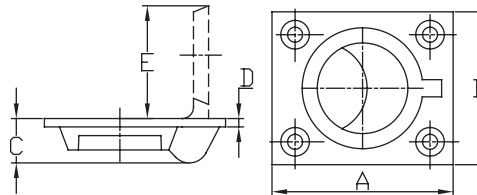


Recessed Ring Pull



- Sold by Each
- 304 Stainless Steel Stamped
- Fastener #6 FH
- CA Prop 65*

PART NO.	A	B	C	D	E
6090S-N	2-7/16"	1-3/4"	11/32"	1/8"	1-1/2"

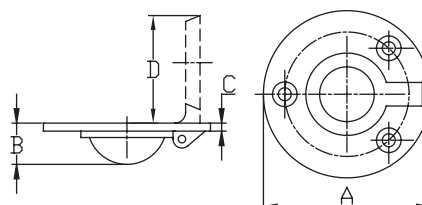


Round Ring Pull



- Sold by Each
- 316 Stainless Steel Cast
- Fastener #8 FH
- CA Prop 65*

PART NO.	A	B	C	D
6092S	2"	1/2"	1/8"	1"



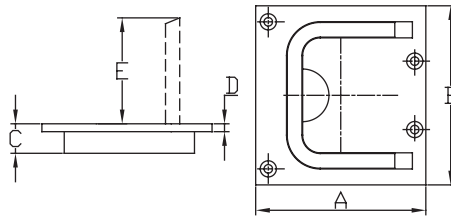
* **WARNING:** Cancer and Reproductive Harm - www.P65warnings.ca.gov - See page 158 to learn more about California Proposition 65

Lift Handle

- Sold by Each
- 316 Stainless Steel Cast
- Fastener #8 FH
- CA Prop 65*



PART NO.	A	B	C	D	E
6094S	2-1/4"	3"	3/8"	1/8"	1-1/16"



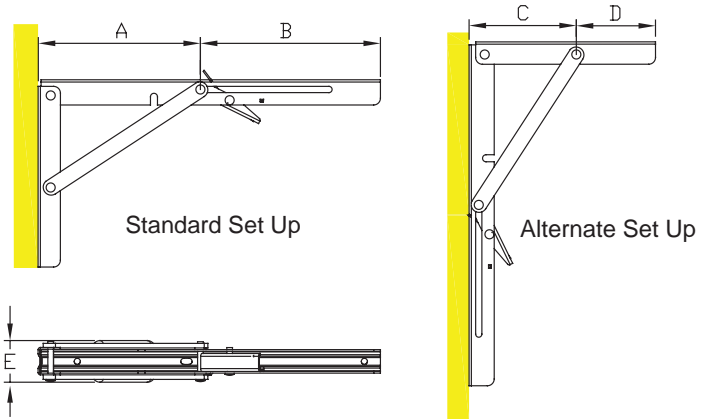
* WARNING: Cancer and Reproductive Harm - www.P65warnings.ca.gov - See page 158 to learn more about California Proposition 65

Folding Bracket

- Sold by Each
- 304 Stainless Steel Stamped
- Fastener #10 FH
- Ideal for Chair Arms and Tables
- Supports up to 90lbs
- CA Prop 65*



PART NO.	A	B	C	D	E
7995S	5-1/2"	6-1/4"	3-1/2"	2-3/4"	1"

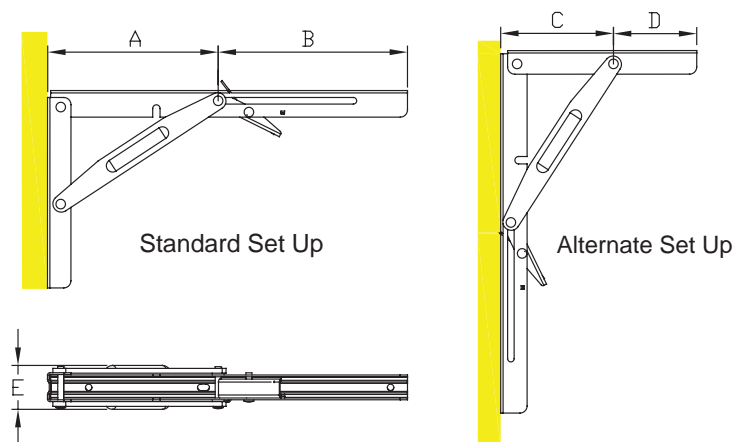


Heavy Duty Folding Bracket

- Sold by Each
- 304 Stainless Steel Stamped
- Fastener #10 FH
- Ideal for Jump-seats and Fold-out Tables
- Supporting Arms Are Stronger Than 7995S
- Supports up to 250lbs
- CA Prop 65*



PART NO.	A	B	C	D	E
7996S	5-1/2"	6-1/4"	3-1/2"	2-3/4"	1"



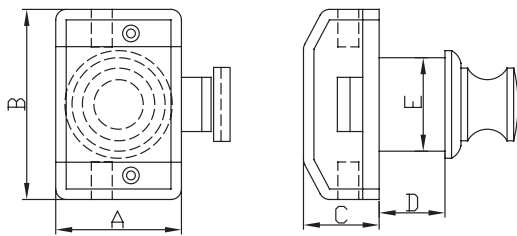
Man Ship Round Push Button Cabinet Latch



- Sold by Each
- Silver: Chrome-Plated Stainless Steel
- Gold: Titanium-Plated Stainless Steel
- Standard Door Thickness is 3/4" but can accommodate up to 1"
- Fastener #10 FH
- CA Prop 65*

Recommendations:

- For 1/2" door thickness, use 4 plates (7100-08)
- For 5/8" door thickness, use 2 plates (7100-08)
- For 3/4" door thickness, don't use any spare pieces
- For 7/8" door thickness, use 2 rings (7100-07)
- For 1" door thickness, use 4 rings (7100-07)



PART NO.	KNOB COLOR	A	B	C	D	E	MAX DOOR THICKNESS
7100S	Silver	1-1/2"	2-1/4"	7/8"	3/4"	1-1/8"	1"
7100G	Gold	1-1/2"	2-1/4"	7/8"	3/4"	1-1/8"	1"
7100-07		Plastic Ring, Thickness 0.021"					
7100-08		Plastic Plate, Thickness 0.033"					

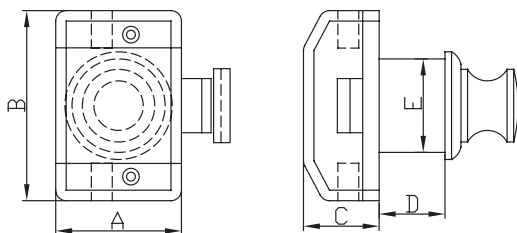
Man Ship Square Push Button Cabinet Latch



- Sold by Each
- Silver: Chrome-Plated Stainless Steel
- Gold: Titanium-Plated Stainless Steel
- Standard Door Thickness is 3/4" but can accommodate up to 1"
- Fastener #10 FH
- CA Prop 65*

Recommendations:

- For 1/2" door thickness, use 4 plates (7100-08)
- For 5/8" door thickness, use 2 plates (7100-08)
- For 3/4" door thickness, don't use any spare pieces
- For 7/8" door thickness, use 2 rings (7100-07)
- For 1" door thickness, use 4 rings (7100-07)



PART NO.	KNOB COLOR	A	B	C	D	E	MAX DOOR THICKNESS
7300SP	Silver	1-1/2"	2-1/4"	7/8"	3/4"	1-1/8"	1"
7300SA	Satin	1-1/2"	2-1/4"	7/8"	3/4"	1-1/8"	1"
7300G	Gold	1-1/2"	2-1/4"	7/8"	3/4"	1-1/8"	1"
7100-07		Plastic Ring, Thickness 0.021"					
7100-08		Plastic Plate, Thickness 0.033"					

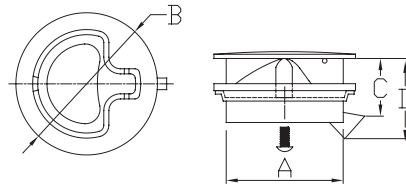
⚠️ * WARNING: Cancer and Reproductive Harm - www.P65warnings.ca.gov - See page 158 to learn more about California Proposition 65

Round Slam Latch

- Sold by Each
- 316 Stainless Steel Cast
- Fastener #12 FH
- CA Prop 65*



PART NO.	LOCKING	A	B	C	D	MAX DOOR THICKNESS
7111S	No	1-1/2"	1-3/4"	1"	1-5/16"	3/4"
7112S	No	2"	2-3/8"	1-3/32"	1-19/32"	7/8"



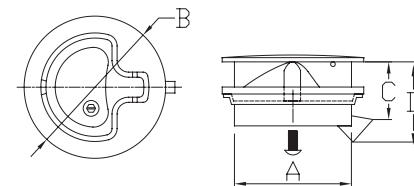
Round Slam Latch, Locking, Hex Lock

- Sold by Each
- 316 Stainless Steel Cast
- Locking Is With A Hex Key

- Fastener #12 FH
- CA Prop 65*



PART NO.	LOCKING	A	B	C	D	MAX DOOR THICKNESS
7111SLK	Yes	1-1/2"	1-3/4"	1"	1-5/16"	3/4"
7112SLK	Yes	2"	2-3/8"	1-3/32"	1-19/32"	7/8"



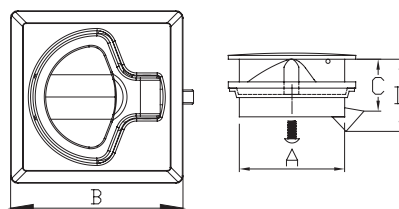
Square Slam Latch

- Sold by Each
- 316 Stainless Steel Cast

- Fastener #12 FH
- CA Prop 65*



PART NO.	LOCKING	A	B	C	D	MAX DOOR THICKNESS
7116S	No	2"	2-13/32"	1-1/16"	1-1/2"	7/8"



 * **WARNING:** Cancer and Reproductive Harm - www.P65warnings.ca.gov - See page 158 to learn more about California Proposition 65

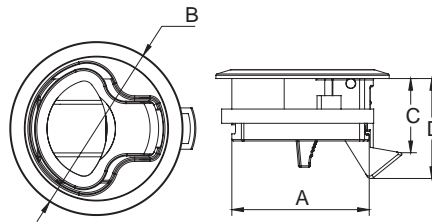
Heavy Duty Slam Latch



- Sold by Each
- 316 Stainless Steel Cast
- Fits #10-32 x 5/8" RH Fastener (2PC Included)

- 1/2" - 3/4" Door Thickness
- CA Prop 65*

PART NO.	LOCKING	A	B	C	D	MAX DOOR THICKNESS
7132S	No	2"	2-7/16"	1-3/32"	1-3/8"	3/4"



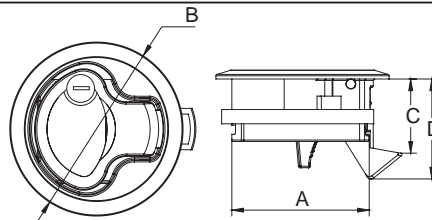
Heavy Duty Slam Latch, Locking, Corrugated Key



- Sold by Each
- 316 Stainless Steel Cast
- Locking Version Includes Corrugated Key
- 1/2" to 3/4" Door Thickness

- Fits #10-32 x 5/8" RH Fastener (2PC Included)
- CA Prop 65*

PART NO.	LOCKING	A	B	C	D	MAX DOOR THICKNESS
7132SLK	Yes	2"	2-7/16"	1-3/32"	1-3/8"	3/4"

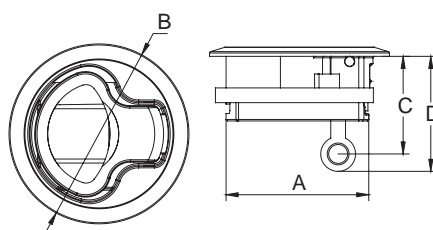


Heavy Duty Slam Latch with Cable Actuator



- Sold by Each
- 316 Stainless Steel Cast
- CA Prop 65*

PART NO.	LOCKING	A	B	C	D	MAX DOOR THICKNESS
7134S	No	2"	2-3/8"	1-3/32"	1-19/32"	7/8"



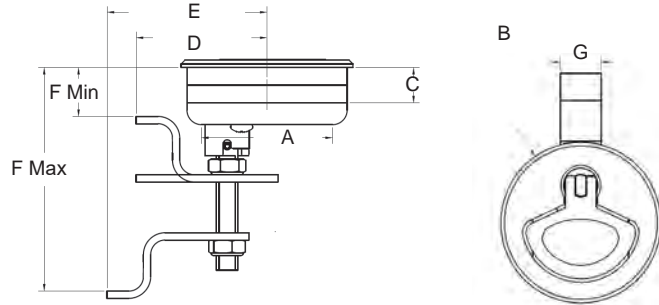
 * WARNING: Cancer and Reproductive Harm - www.P65warnings.ca.gov - See page 158 to learn more about California Proposition 65

Round Compression Latch



- Sold by Each
- 316 Stainless Steel Cast
- Low Profile
- Watertight
- Engineered to be fully configurable to fit all lid arrangements
- CA Prop 65*

PART NO.	A	B	C	D	E	F	G
7154S	2"	2-1/3"	0" to 1"	2-1/4"	2-3/4"	1/2" to 3-1/3"	3/4"
7155S	2-1/2"	3"	0" to 1-1/4"	2-1/4"	2-3/4"	7/8" to 3-7/8"	3/4"

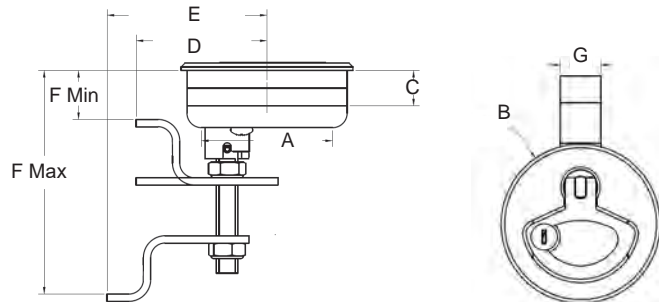


Locking Round Compression Latch



- Sold by Each
- 316 Stainless Steel Cast
- Low Profile
- Watertight
- Engineered to be fully configurable to fit all lid arrangements
- CA Prop 65*

PART NO.	A	B	C	D	E	F	G
7154SLK	2"	2-1/3"	0" to 1"	2-1/4"	2-3/4"	1/2" to 3-1/3"	3/4"
7155SLK	2-1/2"	3"	0" to 1-1/4"	2-1/4"	2-3/4"	7/8" to 3-7/8"	3/4"



Adjustable Latch Cam



- Fits 7176S, 7177S, 7177SLK
- Thicker Material
- CA Prop 65*

PART NO.	L x W	Hole L x W
7185S	4.2" x 1"	1.5" x 0.4"

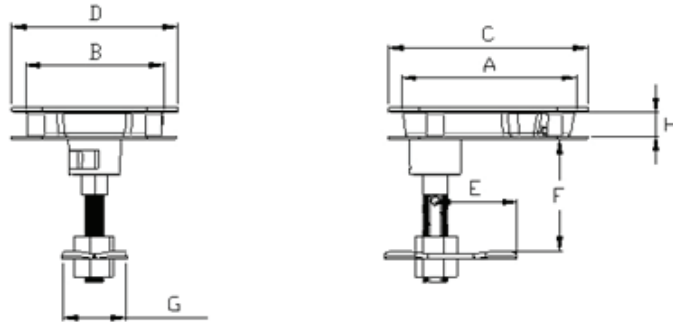
 * **WARNING:** Cancer and Reproductive Harm - www.P65warnings.ca.gov - See page 158 to learn more about California Proposition 65

Larger Rectangular Compression Latch

- Sold by Each
- 316 Stainless Steel Cast
- Watertight
- Fastener size #10-24
- Strike Plate and Catches Sold Separately
- CA Prop 65*



PART NO.	A	B	C	D	E	F	G	H
7176S	3-3/8"	2-11/16"	3.84"	3.19"	1-5/16"	2-1/4" to 3"	1-3/16"	1/2" to 5/8"
7176S-158	3-3/8"	2-11/16"	3.84"	3.19"	1-5/16"	2-1/4" to 2-7/16"	1-3/16"	1/2" to 5/8"

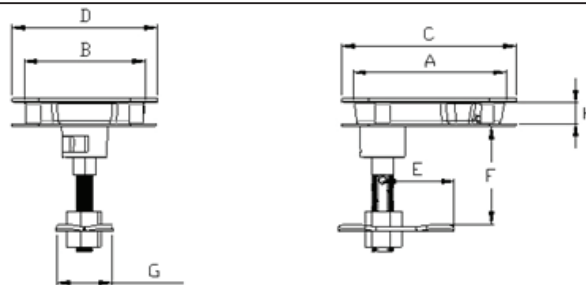


Smaller Rectangular Compression Latch, Locking

- Sold by Each
- 316 Stainless Steel Cast
- Watertight
- Strike Plate and Catches Sold Separately
- CA Prop 65*



PART NO.	LOCKING	A	B	C	D	E	F	G	H
7177SLK	YES	3-3/8"	2-11/16"	3.83"	2.97"	1-5/16"	1-11/16" to 2-1/2"	1-3/16"	1/2" to 3/4"
7177S	NO	3-3/8"	2-11/16"	3.83"	2.97"	1-5/16"	1-11/16" to 2-1/2"	1-3/16"	1/2" to 3/4"



Strike Catch



7180S Strike Plate Catch



7181S Strike Block Catch

- Strike Catches can be used with our 7176S, 7177S and 7177SLK Rectangular Compression Latches
- CA Prop 65*

PART NO.	L x W	H	Hole to Hole Length
7180S	3.2" x 0.75"	0.3"	2.6"
7181S	3.05" x 0.5"	0.33"	1.9"

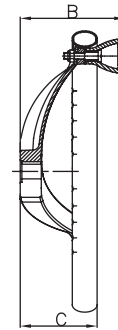
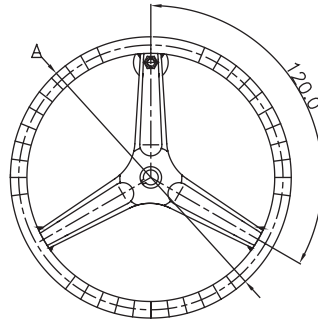
 * **WARNING:** Cancer and Reproductive Harm - www.P65warnings.ca.gov - See page 158 to learn more about California Proposition 65

Premium Sport Wheel



- Sold by Each
- 316 Stainless Steel Cast Hub
- 304 Stainless Steel Tubing
- Fits 3/4" Tapered Shaft
- Wheel features finger grips and a control knob for easy maneuvering

PART NO.	A	B	C	REMARK
7319SRK	13-1/2"	5"	3-1/2"	Wheel without nut
7320SRK	15-1/2"	5"	3-1/2"	Wheel without nut
7327NT	5/8-18 Wheel Nut for Teleflex Hydraulic Steering System			
7328NT	1/2-20 Wheel Nut for Teleflex Mechanical Steering System			
7329NT	M12 Wheel Nut (M12*1.75)			



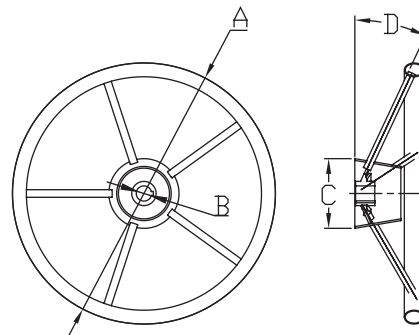
* **WARNING:** Cancer and Reproductive Harm - www.P65warnings.ca.gov - See page 158 to learn more about California Proposition 65

Heavy Duty Destroyer Wheel

- Sold by Each
- 316 Stainless Steel Cast Hub
- 304 Stainless Steel Tubing
- Fits 3/4" Tapered Shaft
- CA Prop 65*



PART NO.	A	B	C	D
7308	11"	3/4"	3-1/2"	25°
7403PC	13-1/2"	3/4"	3-1/2"	25°
7402PC	15-1/2"	3/4"	3-1/2"	25°
7402PC10	15-1/2"	3/4"	3-1/2"	10°
7401PC	18"	3/4"	3-1/2"	10°
7405PC	20"	3/4"	3-1/2"	10°
7400PC	22"	3/4"	3-1/2"	10°

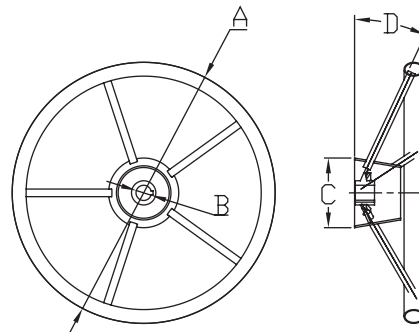


Destroyer Wheel with Foam Cover

- Sold by Each
- 316 Stainless Steel Cast Hub
- 304 Stainless Steel Tubing
- Fits 3/4" Tapered Shaft
- CA Prop 65*



PART NO.	A	B	C	D	COLOR
7408BFC	11"	3/4"	3-1/2"	25°	Black
7403BFC	13-1/2"	3/4"	3-1/2"	25°	Black
7402BFC	15-1/2"	3/4"	2-13/16"	25°	Black



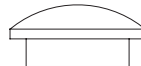
 * WARNING: Cancer and Reproductive Harm - www.P65warnings.ca.gov - See page 158 to learn more about California Proposition 65

Steering Wheel Cap



- Sold by Each
- PVC Plastic
- Teak Wood
- CA Prop 65*

PART NO.	DESCRIPTION
7406-PC	PVC Spring Cap
7406-SPC	PVC Spring Cap w/ SS Cover
7406-SPE	Teak Cover Cap

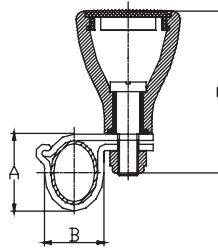


Round Wheel Control Knob



- Sold by Each
- 316 Stainless Steel Cast
- Nylon Cap
- CA Prop 65*

PART NO.	A	B	C
7300SCK	15/16"	3/4"	2-1/2"

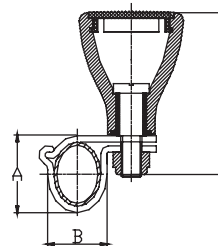


Mushroom Wheel Control Knob



- Sold by Each
- 316 Stainless Steel Cast
- CA Prop 65*

PART NO.	A	B	C
7301SCK	15/16"	3/4"	2-1/2"



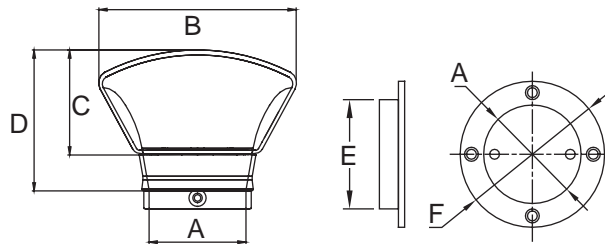
* **WARNING:** Cancer and Reproductive Harm - www.P65warnings.ca.gov - See page 158 to learn more about California Proposition 65

Low Profile Cowl Vent with Deck Plate

- Sold by Each
- 316 Stainless Steel Cast
- CA Prop 65*



PART NO	Deck Plate	A	B	C	D	E	F
1450SK-W/6361S	Two Hole	3"	5-3/4"	3"	3-1/2"	3-5/16"	4-5/8"
1460SK-W/6362S	Two Hole	4"	7-13/16"	5-3/8"	9-3/4"	4-3/8"	6-1/8"

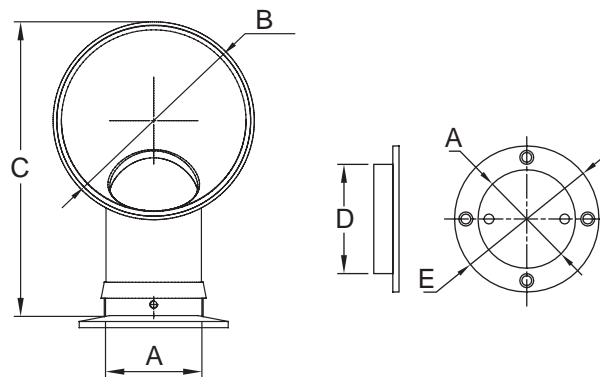


Round Cowl Vent with Deck Plate

- Sold by Each
- 304 Stainless Steel Stamped
- CA Prop 65*



PART NO	Deck Plate	A	B	C	D	E
1350SK-W/6361S	Two Hole	3"	6-1/4"	9-3/8"	3-5/16"	4-5/8"
1360SK-W/6362S	Two Hole	4"	8-1/2"	11-1/2"	4-3/8"	6-1/8"

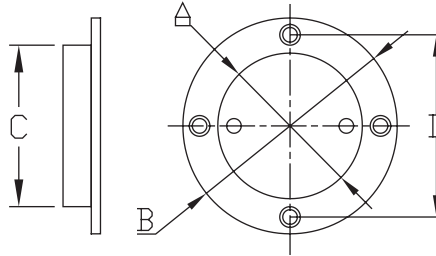


Standard Deck Plate



- Sold by Each
- 316 Stainless Steel Cast
- Thread specification is 4"-14UNC
- CA Prop 65*

PART NO.	A	B	C	D	FASTENER
6361S	3"	4-5/8"	3-5/16"	3-7/8"	1/4" FH
6362S	4"	6-1/8"	4-3/8"	5-1/4"	#12 FH

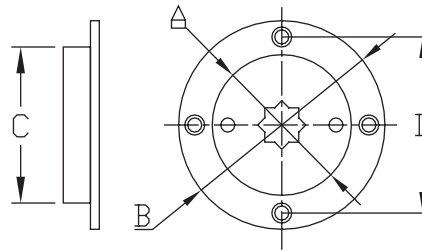


Deck Plate with Star Pattern



- Sold by Each
- 316 Stainless Steel Cast
- CA Prop 65*

PART NO.	A	B	C	D	FASTENER
6361SD	3"	4-5/8"	3-5/16"	3-7/8"	#10 FH
6362SD	4"	6-1/8"	4-3/8"	5-1/4"	#12 FH

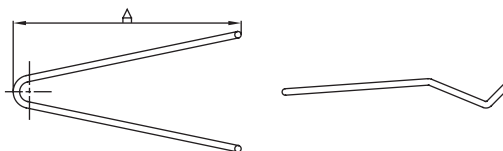


Wire Key



- Sold by Each
- 304 Stainless Steel Rod
- Wire Key for 3" and 4" Deck Plates
- CA Prop 65*

PART NO.	A
1350KY	7"



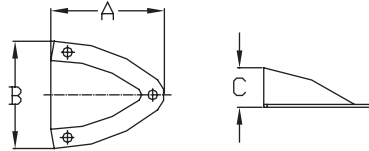
* **WARNING:** Cancer and Reproductive Harm - www.P65warnings.ca.gov - See page 158 to learn more about California Proposition 65

Midget Vent



- Sold by Each
- 304 Stainless Steel Stamped
- Fastener #6 RH
- CA Prop 65*

PART NO.	A	B	C
6564S	1-5/8"	1-3/4"	1/2"
6566S	2-1/4"	2-1/8"	5/8"

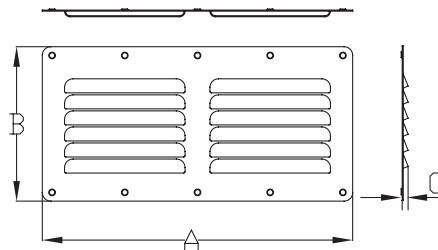


SS 304 Stamped Louvered Vent



- Sold by Each
- Stainless Steel Stamped
- CA Prop 65*

PART NO.	A	B	C	FASTENER
7721S	5"	2-1/2"	3/16"	#6 RH
7722S	5"	4-1/2"	3/16"	#6 RH
7723S	9"	4-1/2"	3/16"	#8 RH
7723SV	5"	9"	3/16"	#6 RH

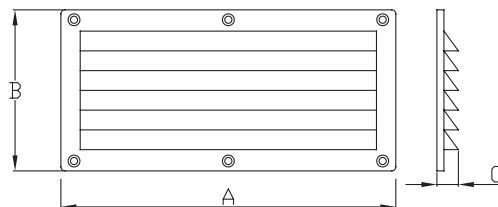


Louvered Vent



- Sold by Each
- ABS Plastic
- CA Prop 65*

PART NO.	A	B	C	FASTENER
58824B	5-1/2"	4-7/8"	5/8"	#10 RH
58825B	10-1/4"	4-7/8"	5/8"	#12 RH



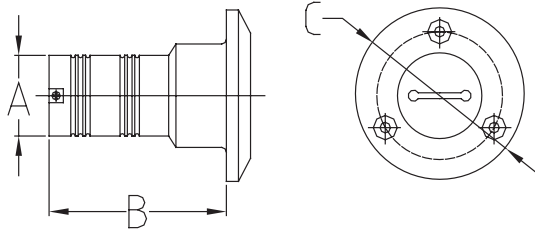
 * **WARNING:** Cancer and Reproductive Harm - www.P65warnings.ca.gov - See page 158 to learn more about California Proposition 65

Deck Fill



- Sold by Each
- 316 Stainless Steel Cast
- Includes Key
- Waste Desk Fill does not come attached with screw
- Internal Cap Thread 1-1/4"-11.5NPS
- CA Prop 65*

PART NO.	A	B	C	MARKING	FASTENER
6002S	1-1/2" Hose	3"	3"	WASTE	#12 FH
6004S	1-1/2" Hose	3"	3"	DIESEL	#12 FH
6005S	1-1/2" Hose	3"	3"	GAS	#12 FH
6006S	1-1/2" Hose	3"	3"	WATER	#12 FH
6007S	2" Hose	3-3/16"	3-1/2"	GAS	#12 FH
6008S	2" Hose	3-3/16"	3-1/2"	DIESEL	#12 FH

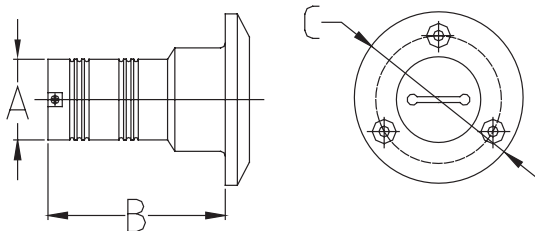


Deck Fill with Colored Text



- Sold by Each
- 316 Stainless Steel Cast
- Fastener #12 FH
- Includes Key
- Colored Text with Internationally Recognized Symbols
- Waste Desk Fill does not come attached with screw
- Internal Cap Thread 1-1/4"-11.5NPS
- CA Prop 65*

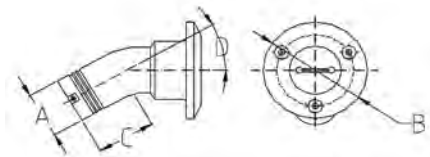
PART NO.	A	B	C	MARKING
6002SEU	1-1/2" Hose	3"	3"	WASTE, with black symbol
6004SEU	1-1/2" Hose	3"	3"	DIESEL, with green symbol
6005SEU	1-1/2" Hose	3"	3"	GAS, with red symbol
6006SEU	1-1/2" Hose	3"	3"	WATER, with blue symbol
6007SEU	2" Hose	3-3/16"	3-1/2"	GAS, with red symbol
6008SEU	2" Hose	3-3/16"	3-1/2"	DIESEL, with green symbol



Angled 30° Deck Fill



- Sold by Each
- 316 Stainless Steel Cast
- 30° Angle
- CA Prop 65*



PART NO.	A	B	C	MARKING
6005S-30	1-1/2"	3-1/2"	3-1/4"	GAS
6006S-30	1-1/2"	3-1/2"	3-1/4"	WATER



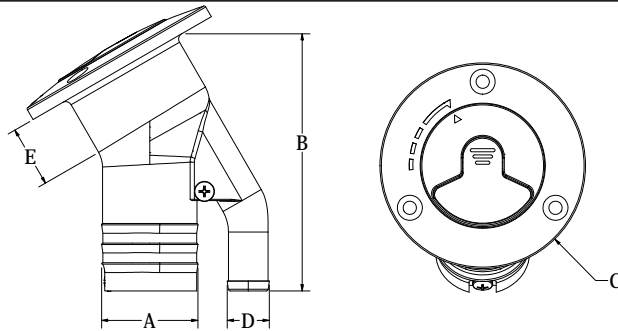
* **WARNING:** Cancer and Reproductive Harm - www.P65warnings.ca.gov - See page 158 to learn more about California Proposition 65

Vented 30° Angled Deck Fill



- Sold by Each
- 316 Stainless Steel Cast
- Sealed Cap
- 30° Angle
- 1/4 Turn for Convenient Use and Operation. No Key Required
- EPA Compliant for Carbon Canister Systems / Sealed Cap
- Not Compatible with Pressure Relief Systems
- Grounding Screw for Static Discharge
- Color-Coded Text
- CA Prop 65*

PART NO.	A	B	C	D	E	MARKING
6004SEU-FT-VA	1-1/2" Hose	4-13/64"	3-5/16"	5/8"	1-1/4"	DIESEL
6005SEU-FT-VA	1-1/2" Hose	4-13/64"	3-5/16"	5/8"	1-1/4"	GAS

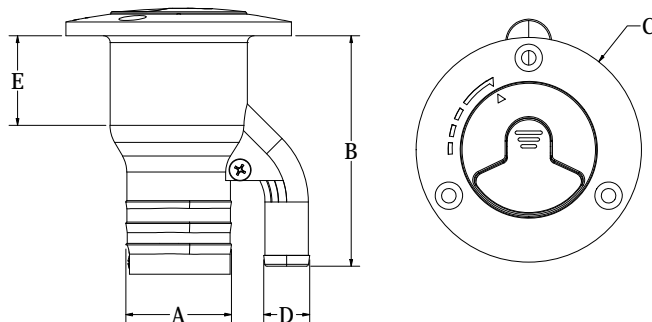


Vented Straight Deck Fill



- Sold by Each
- 316 Stainless Steel Cast
- Sealed Cap
- 1/4 Turn for Convenient Use and Operation. No Key Required
- EPA Compliant for Carbon Canister Systems / Sealed Cap
- Not Compatible with pressure Relief Systems
- Grounding Screw for Static Discharge
- Color-Coded Text
- CA Prop 65*

PART NO.	A	B	C	D	E	MARKING
6004SEU-FT-VS	1-1/2" Hose	3-13/32"	3-5/16"	5/8"	1"	DIESEL
6005SEU-FT-VS	1-1/2" Hose	3-13/32"	3-5/16"	5/8"	1"	GAS



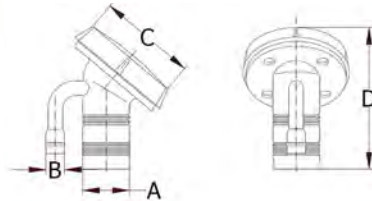
 * **WARNING:** Cancer and Reproductive Harm - www.P65warnings.ca.gov - See page 158 to learn more about California Proposition 65

Angled Vented Deck Fill



- Sold by Each
- 316 Stainless Steel Cast
- 40° Angle
- CA Prop 65*

PART NO.	A	B	C	D	MARKING
6005S-ACV	1-1/2"	5/8"	3-1/4"	3-3/4"	GAS
6006S-ACV	1-1/2"	5/8"	3-1/4"	3-3/4"	WATER

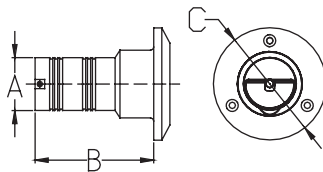


Flip Tab Deck Fill



- Sold by Each
- 316 Stainless Steel Cast
- Fastener #12 FH
- Waste Deck Fill does not come attached with screw
- Internal Cap Thread 1-1/4"-11.5NPS
- CA Prop 65*

PART NO.	A	B	C	MARKING
6002SEU-FT	1-1/2" Hose	3"	3"	Waste
6004SEU-FT	1-1/2" Hose	3"	3"	Diesel
6005SEU-FT	1-1/2" Hose	3"	3"	Gas
6006SEU-FT	1-1/2" Hose	3"	3"	Water
6007SEU-FT	2" Hose	3-3/16"	3-1/2"	Gas
6008SEU-FT	2" Hose	3-3/16"	3-1/2"	Diesel



Replacement Parts

- Sold by Each
- 316 Stainless Steel Cast
- CA Prop 65*



PART NO.	DESCRIPTION	DECK FILL BODY HOSE SIZE	CAP OD	THREAD
6009S	Slot Cap	1-1/2"	1-3/4"	1-1/4"-11.5NPS
6009SPE	Slot Cap	2"	2-3/32"	1-1/2"-11.5NPSM
6009S-FT15	Flip Tab Cap	1-1/2"	1-3/4"	1-1/4"-11.5NPS
6009S-FT20	Flip Tab Cap	2"	2-3/32"	1-1/2"-11.5NPSM
6009SK	Slot Key			
6009S-RING	O-Ring for 1-1/2" Cap			
6009SPE-RING	O-Ring for 2" Cap			

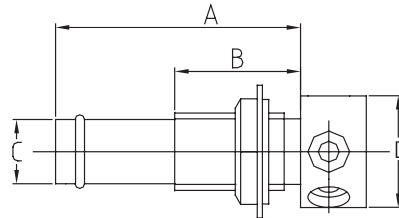
 * **WARNING:** Cancer and Reproductive Harm - www.P65warnings.ca.gov - See page 158 to learn more about California Proposition 65

Straight Fuel Vent

- Sold by Each
- 316 Stainless Steel Cast
- CA Prop 65*



PART NO.	A	B	C	D
6600S	2-1/4"	1"	5/8" Hose	15/16"

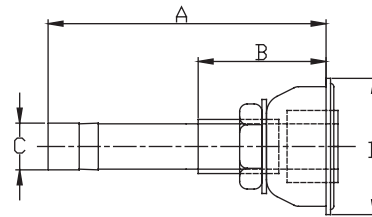


Flush Mount Straight Fuel Vent

- Sold by Each
- 316 Stainless Steel Cast
- CA Prop 65*



PART NO.	A	B	C	D
6600SCAP	2-3/4"	1-1/5"	5/8" Hose	1-13/16"

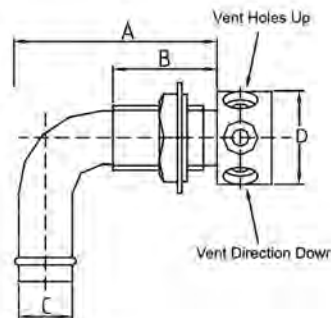


90° Fuel Vent

- Sold by Each
- 316 Stainless Steel Cast
- CA Prop 65*



PART NO.	A	B	C	D	VENT DIREC.
6601S	2-1/8"	1-1/8"	5/8" Hose	15/16"	Up
6602S	2-1/8"	1-1/8"	5/8" Hose	15/16"	Down
6603S	2-13/16"	1-1/8"	1" Hose	1-5/8"	Down



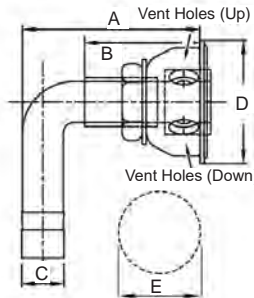
 * **WARNING:** Cancer and Reproductive Harm - www.P65warnings.ca.gov - See page 158 to learn more about California Proposition 65

Flush Mount 90° Fuel Vent



- Sold by Each
- 316 Stainless Steel Cast
- CA Prop 65*

PART NO.	A	B	C	D	VENT DIREC.
6601SCAP	2-3/4"	1-11/16"	5/8" Hose	1-13/16"	Up
6602SCAP	2-3/4"	1-11/16"	5/8" Hose	1-13/16"	Down
6603SCAP	3-1/2"	1-7/8"	1" Hose	2-13/16"	Down
6604SCAP	3-1/16"	1-25/32"	3/4" Hose	2-3/32"	Both

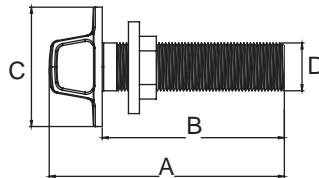


Tank Vent



- Sold by Each
- 316 Stainless Steel Cast
- Thru-Hull Style
- CA Prop 65*

PART NO.	A	B	C	D
6605S	5-1/4"	4"	2-19/32"	3/4 NPS

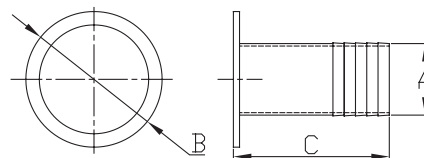


Exhaust with Cover



- Sold by Each
- 316L Stainless Steel Cast
- Silicone Cover
- Fastener 1/4" FH
- CA Prop 65*

PART NO.	A	B	C
7580CSE	3-1/2"	5-7/16"	3-7/8"
7581CSE	5"	7-3/4"	5-7/8"



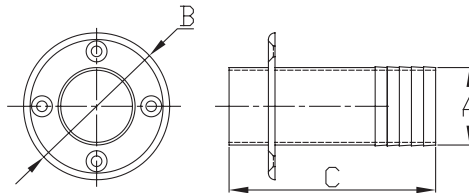
 * **WARNING:** Cancer and Reproductive Harm - www.P65warnings.ca.gov - See page 158 to learn more about California Proposition 65

Transom Exhaust Fitting



- Sold by Each
- 304 Stainless Steel Stamped
- Fastener 1/4" FH
- CA Prop 65*

PART NO.	A	B	C
7570S	1-1/2"	3-1/4"	4-9/16"
7571S-TWC	1-7/8"	3-5/8"	5-9/16"
7573S-TWC	2-1/2"	4-1/8"	5-9/16"
7574S	3"	4-3/4"	4-15/16"

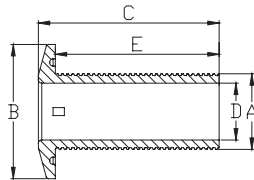


Threaded Thru-Hull



- Sold by Each
- 316 Stainless Steel Cast
- CA Prop 65*

PART NO.	A	B	C	D	E	THREAD
6653S-TH	1-5/16"	2-5/16"	3"	1"	2-7/8"	1-11.5 NPSM

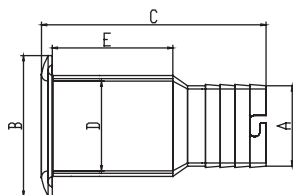


Barbed Thru Hull – Long



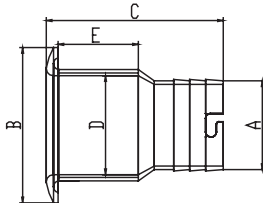
- Sold by Each
- 316 Stainless Steel Cast
- CA Prop 65*

PART NO.	A	B	C	D	E	THREAD
6650S-L2	5/8"	1-1/2"	3	5/8"	1-13/32"	1/2-14NPS
6651S-L2	3/4"	1-3/4"	3-7/8"	13/16"	1-15/16"	3/4-14NPS
6652S-L2	1"	2"	4-1/8"	1-1/16"	2-7/32"	1-11.5NPS
6653S-L2	1-1/8"	2-7/32"	4"	1-1/16"	2-1/8"	1-11.5NPS
6654S-L2	1-1/4"	2-1/4"	4-1/16"	1-7/16"	2-5/32"	1.25-11.5NPS
6655S-L2	1-1/2"	2-21/32"	4-1/8"	1-11/16"	2-1/4"	1.5-11.5NPS



 * WARNING: Cancer and Reproductive Harm - www.P65warnings.ca.gov - See page 158 to learn more about California Proposition 65

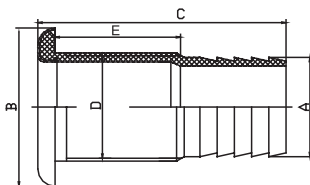
Barbed Thru Hull - Short



- Sold by Each
- 316 Stainless Steel Cast
- CA Prop 65*

PART NO.	A	B	C	D	E	THREAD
6650S2	5/8"	1-15/32"	2-1/4"	5/8"	3/4"	1/2-14NPS
6651S2	3/4"	1-3/4"	2-13/16"	13/16"	1"	3/4-14NPS
6652S2	1"	2-1/4"	2-7/16"	1-5/16"	1-1/4"	1-11.5NPS
6653S2	1-1/8"	2-1/4"	2-7/16"	1-1/16"	15/16"	1-11.5NPS
6654S2	1-1/4"	2-1/4"	3"	1-7/16"	1-3/8"	1.25-11.5NPS
6655S2	1-1/2"	2-21/32"	3"	1-11/16"	1-13/32"	1.5-11.5NPS

Nylon Thru-Hull with Stainless Steel Trim



- Sold by Each
- Nylon Body with 316 Stainless Steel Stamped Trim
- CA Prop 65*

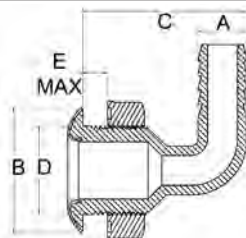
PART NO.	A	B	C	D	E
6650N	5/8"	1-7/8"	3-3/16"	1-3/8"	1-1/8"
6651N	3/4"	1-7/8"	3-7/16"	1-3/8"	1-1/8"
6652N	1"	1-7/8"	3-3/8"	1-3/8"	1-1/8"
6653N	1-1/8"	1-7/8"	3-1/16"	1-3/8"	1-1/8"
6654N	1-1/4"	2-3/8"	4-1/16"	1-5/8"	1-1/4"
6655N	1-1/2"	2-3/8"	4-1/16"	1-5/8"	1-1/4"

Nylon 90° Thru-Hull with Stainless Steel Trim & Scupper/Rubber Flap



- Sold by Each
- Nylon Body with 316 Stainless Steel Stamped Trim
- Rubber Flap/Scupper
- CA Prop 65*

PART NO.	A	B	C	D	E
6655N-90-SCP	1-1/2"	3-3/8"	4-15/16"	2-1/4"	1-15/16"



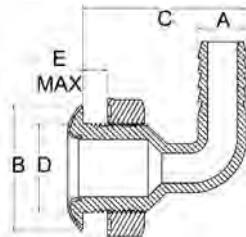
* **WARNING:** Cancer and Reproductive Harm - www.P65warnings.ca.gov - See page 158 to learn more about California Proposition 65

Nylon 90° Thru-Hull with Stainless Steel Trim



- Sold by Each
- Nylon Body with 316 Stainless Steel Stamped Trim
- CA Prop 65*

PART NO.	A	B	C	D	E
6651N-90	3/4"	1-7/8"	2-1/2"	1-11/32"	3/8"
6652N2-90	1"	1-7/8"	3-1/2"	1-3/8"	1-1/4"
6653N-90	1-1/8"	2-3/8"	4-1/4"	1-5/8"	1-1/4"
6655N-90	1-1/2"	2-3/8"	4-1/2"	1-5/8"	1-1/4"
6653N2-90	1-1/8"	1-29/32"	3-5/16"	1-5/16"	1-1/4"

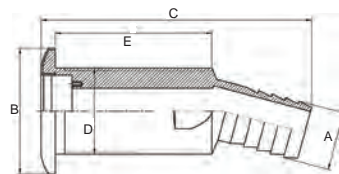


Nylon 15° Thru-Hull with Stainless Steel Trim



- Sold by Each
- Nylon Body with 316 Stainless Steel Stamped Trim
- With Scupper/Rubber Flap
- CA Prop 65*

PART NO.	A	B	C	D	E
6656N15	1-1/2"	3-1/4"	7"	2-1/8"	4"

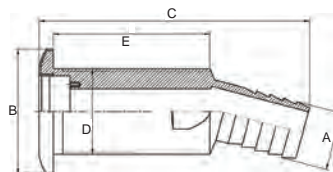


Nylon 15° Thru-Hull Scupper with Stainless Steel Trim



- Sold by Each
- Nylon Body with 316 Stainless Steel Stamped Trim
- With Scupper/Rubber Flap
- CA Prop 65*

PART NO.	A	B	C	D	E
6656N15-SCP	1-1/2"	3-1/4"	7"	2-1/8"	4"



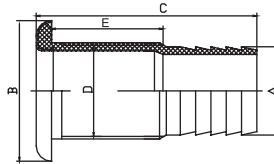
 * **WARNING:** Cancer and Reproductive Harm - www.P65warnings.ca.gov - See page 158 to learn more about California Proposition 65

Nylon Thru-Hull Scupper with Stainless Steel Trim



- Sold by Each
- Nylon Body with 316 Stainless Steel Stamped Trim
- With Scupper/Rubber Flap
- CA Prop 65*

PART NO.	A	B	C	D	E
6656N-SCP	1-1/2"	3-3/4"	4-3/4"	2-1/4"	2-1/2"
6657N-SCP	2"	3-1/4"	5"	2-3/16"	2"

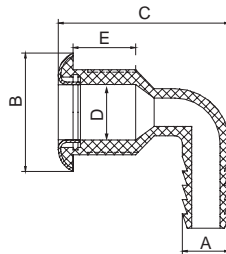


Nylon 90° Thru-Hull Scupper with Stainless Steel Trim



- Sold by Each
- Nylon Body with 316 Stainless Steel Stamped Trim
- With Scupper/Rubber Flap
- CA Prop 65*

PART NO.	A	B	C	D	E
6655N-90-SCP	1-1/2"	3-3/8"	4-15/16"	1-13/16"	1-15/16"

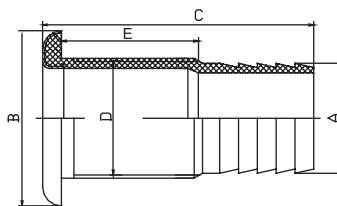


Nylon 90° Thru-Hull with Steel Trim, Extra Long



- Sold by Each
- Nylon Body with 316 Stainless Steel Stamped Trim
- CA Prop 65*

PART NO.	A	B	C	D	E
6655N-L4	1-1/8"	1-7/8"	5-3/4"	1-1/2"	4"



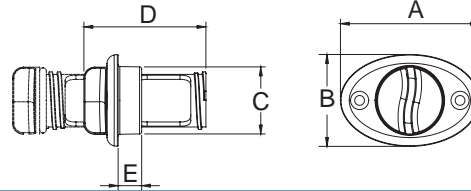
* WARNING: Cancer and Reproductive Harm - www.P65warnings.ca.gov - See page 158 to learn more about California Proposition 65

Captive Garboard Plug, Oval

- Sold by Each
- 316 Stainless Steel Cast
- CA Prop 65*



PART NO.	A	B	C	D	E
8076S	2-7/32"	1-1/2"	7/8"	2"	7/16"
8078S	2-17/32"	1-11/16"	1-1/8"	2-7/32"	7/16"

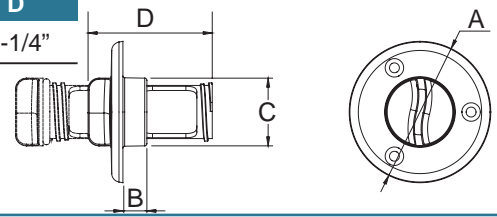


Captive Garboard Plug, Round

- Sold by Each
- 316 Stainless Steel Cast
- CA Prop 65*



PART NO.	A	B	C	D
8079S	2-17/32"	7/16"	1-1/4"	2-1/4"

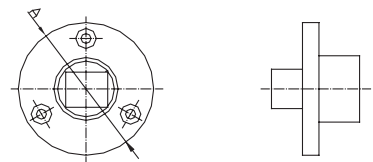


Garboard Plug

- Sold by Each
- Brass Cast
- 316 Stainless Steel Cast
- 1/2" NPT Tapered
- CA Prop 65*



PART NO.	MATERIAL	A
8074B	Brass	2"
8074BP	Replacement plug	
8074S	316 SS	2"
8074SP	Replacement plug	

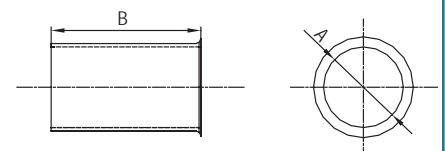


Drain Tube

- Sold by Each
- Brass Cast
- CA Prop 65*



PART NO.	A	B
54183	1"	1-7/8"
54184	1"	3"
54186	1"	3-7/8"
54182	1-1/4"	3"



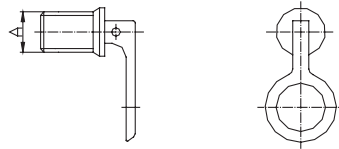
 * **WARNING:** Cancer and Reproductive Harm - www.P65warnings.ca.gov - See page 158 to learn more about California Proposition 65

Flip-Lock Drain Plug



- Sold by Each
- 304 Stainless Steel Stamped
- Brass Stamped
- CA Prop 65*

PART NO.	MATERIAL	A
54191S	SS 304	1"
54192S	SS 304	1-1/4"
54191	Brass	1"
54192	Brass	1-1/4"

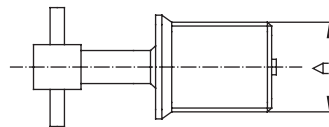


T-Handle Drain Plug



- Sold by Each
- 304 Stainless Steel Stamped
- Brass Stamped
- CA Prop 65*

PART NO.	MATERIAL	A
54193S	SS 304	1"
54194S	SS 304	1-1/4"
54193	Brass	1"
54194	Brass	1-1/4"

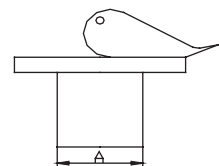


Bait Well Plug



- Sold by Each
- Brass Stamped
- CA Prop 65*

PART NO.	A
54195	3/4"
54196	5/8"
54197	1/2"
54198	3/8"
54199	7/8"



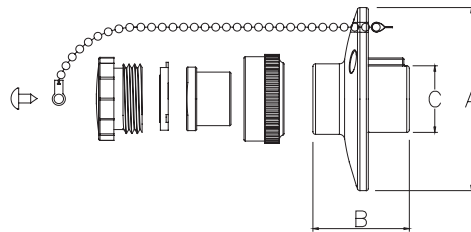
* **WARNING:** Cancer and Reproductive Harm - www.P65warnings.ca.gov - See page 158 to learn more about California Proposition 65

Water Inlet with Cap



- Sold by Each
- 316 Stainless Steel Cast
- Attaches to your standard garden hose in order to fill your boats fresh water tank
- Fastener #8
- CA Prop 65*

PART NO.	A	B	C
8070S	2-25/32"	1-7/16"	1"

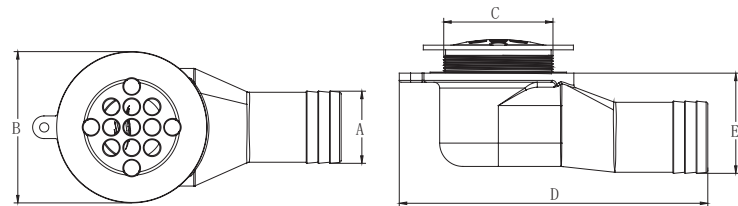


Deck Drain



- Sold by Each
- 316 Stainless Steel Cast
- CA Prop 65*

PART NO.	A	B	C	D	E	DECK THICKNESS
8301S	1-1/2"	3-7/32"	2-5/16"	6-5/8"	2-5/32"	0" to 3/4"



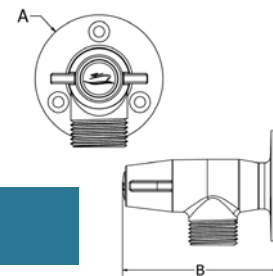
Stainless Steel Water Spigot



- Sold by Each
- 316 Stainless Steel Cast
- CA Prop 65*

PART NO.	FITS	A	B
8012S	3/4"	2-3/8"	3-3/8"

HOSE THREAD

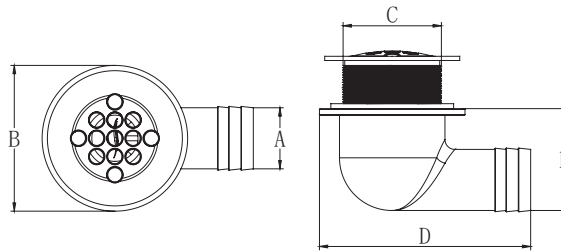


Nylon Deck Drain with Floating Ball Check



- Sold by Each
- Nylon Body with 316 Stainless Steel Cast Drain Cap
- CA Prop 65*

PART NO.	A	B	C	D	E	DECK THICKNESS
8306N	1-1/2"	3-7/16"	2-5/16"	5"	2-3/8"	0" to 3/4"

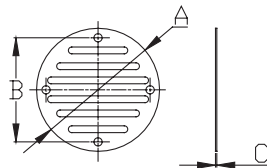


Drain Cover



- Sold by Each
- 304 Stainless Steel Stamped
- Fastener #8 RH
- CA Prop 65*

PART NO.	A	B	C
7728S	3-1/4"	2-3/4"	1/32"

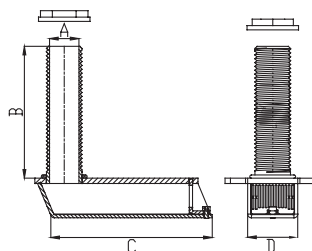


High Speed Pick Up



- Sold by Each
- 316 Stainless Steel Fabricated
- Fastener Size 1/4" FH
- CA Prop 65*

PART NO.	A	B	C	D	THREAD
HSPU-B	1-1/4"	2-3/4"	4-3/8"	1-27/32"	1" NPT
HSPU-C	1-1/4"	4-23/32"	6-1/2"	1-27/32"	1" NPT



 * **WARNING:** Cancer and Reproductive Harm - www.P65warnings.ca.gov - See page 158 to learn more about California Proposition 65

Stainless Deck Hatches



Custom Capabilities



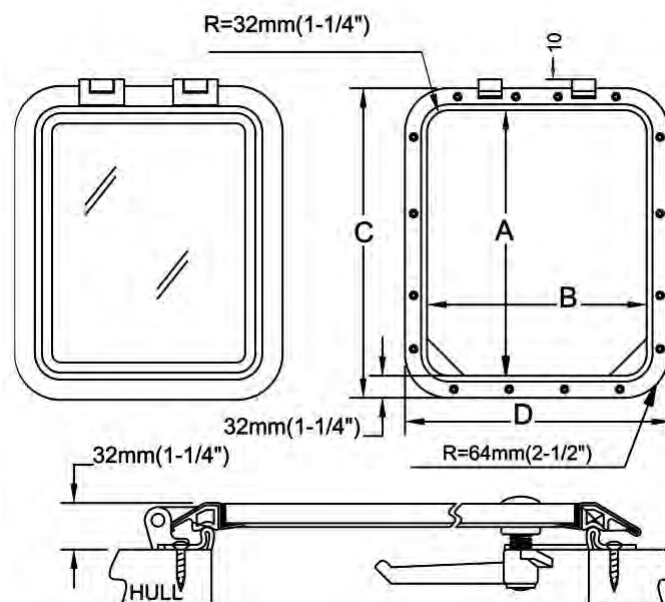
 * **WARNING:** Cancer and Reproductive Harm - www.P65warnings.ca.gov - See page 158 to learn more about California Proposition 65

Low Profile Deck Hatch



Features

- 316 Stainless Steel Formed For High Grade Strength And Corrosion Resistance
- Low Profile 1-1/4" Height
- Full Range Of Motion 180 Degree Opening
- CE Approved For Standard Sizes Listed In Table
- According To ISO/DIS 12216, Approved For Area II, III, And IV For Craft Type "Any"
- Tough, UV Resistant 1/2" Acrylic
- Sanplane Gasket Is Oil Resistant And Weather Resistant
- Hinges Are Adjustable By Tightening Set Screw Providing More/Less Tension On The Hinge
- Watertight



* **WARNING:** Cancer and Reproductive Harm - www.P65warnings.ca.gov - See page 158 to learn more about California Proposition 65

Low Profile Inside Opening | LDH-I



- 316 Stainless Steel Formed
- Mirror Polish Finish
- Smoked Acrylic
- Adjustable Hatch Arms
- CA Prop 65*

Inside Opening

PART NO.	CUT-OUT SIZE		OVERALL SIZE		ACRYLIC THICKNESS
	A	B	C	D	
LDH-08-I	8-1/8"	13-3/4"	10-5/8"	16-1/4"	1/2"
LDH-10-I	10"	10"	12-1/2"	12-1/2"	1/2"
LDH-20-I	12-1/2"	17-1/2"	15"	20"	1/2"
LDH-30-I	14-1/2"	19-1/2"	17"	22"	1/2"
LDH-40-I	16-1/2"	16-1/2"	19"	19"	1/2"
LDH-50-I	19-1/2"	19-1/2"	22"	22"	1/2"
LDH-60-I	24"	24"	26-1/2"	26-1/2"	1/2"
LDH-70-I	31"	31"	33-1/2"	33-1/2"	1/2"

Low Profile Inside & Outside Opening | LDH-O



- 316 Stainless Steel Formed
- Mirror Polish Finish
- Smoked Acrylic
- Adjustable Hatch Arms
- CA Prop 65*

Outside Opening

PART NO.	CUT-OUT SIZE		OVERALL SIZE		ACRYLIC THICKNESS
	A	B	C	D	
LDH-30-O	14-1/2"	19-1/2"	17"	22"	1/2"
LDH-40-O	16-1/2"	16-1/2"	19"	19"	1/2"
LDH-50-O	19-1/2"	19-1/2"	22"	22"	1/2"
LDH-60-O	24"	24"	26-1/2"	26-1/2"	1/2"
LDH-70-O	31"	31"	33-1/2"	33-1/2"	1/2"

Low Profile Double Opening | LDH-D



- 316 Stainless Steel Formed
- Mirror Polish Finish
- Smoked Acrylic
- Adjustable Hatch Arms
- CA Prop 65*

Double Opening

PART NO.	CUT-OUT SIZE		OVERALL SIZE		ACRYLIC THICKNESS
	A	B	C	D	
LDH-50-D	19-1/2"	19-1/2"	22"	22"	1/2"
LDH-60-D	24"	24"	26-1/2"	26-1/2"	1/2"
LDH-70-D	31"	31"	33-1/2"	33-1/2"	1/2"



* WARNING: Cancer and Reproductive Harm - www.P65warnings.ca.gov - See page 158 to learn more about California Proposition 65

Low Profile Friction Hinge Deck Hatch

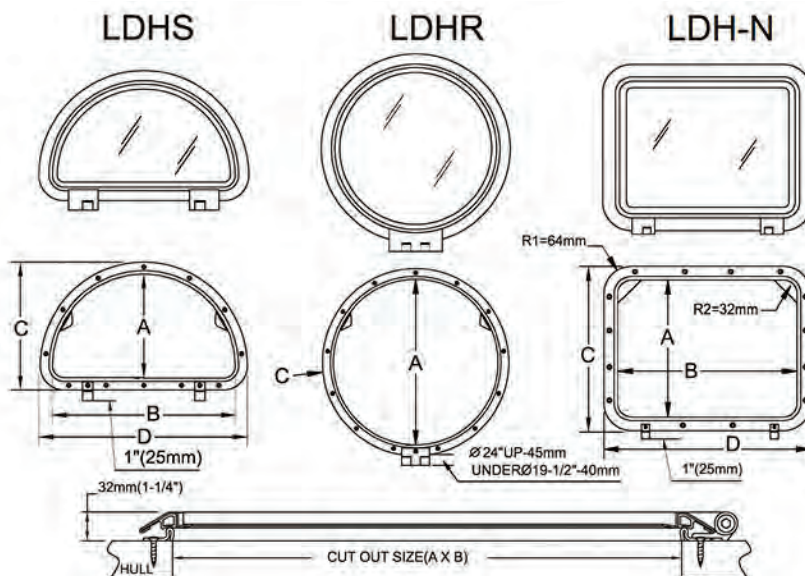


Features

- Patented Friction Hinge Design For A More Elegant Look, Eliminating The Need For Hatch Arms
- Friction Hinges Can Be Tightened Over Its Lifetime For Continual Quality Use And Function
- 316 Stainless Steel Formed For High Grade Strength And Corrosion Resistance
- Low Profile 1-1/4" Height
- Full Range Of Motion 180 Degree Opening
- CE Approved For Standard Sizes Listed In Table
- According To ISO/DIS 12216, Approved For Area II, III, And IV For Craft Type "Any"
- Tough, UV Resistant 1/2" Acrylic
- Sanplane Gasket Is Oil Resistant And Weather Resistant
- Watertight

Standard Specs

- Friction Hinge
- 316 Stainless Steel Formed
- High Polish Finish
- Smoked Acrylic
- Adjustable Hatch Arms



* **WARNING:** Cancer and Reproductive Harm - www.P65warnings.ca.gov - See page 158 to learn more about California Proposition 65

Friction Rectangular Low Profile | LDH-N

- 316 Stainless Steel Formed
- Mirror Polish Finish
- Smoked Acrylic
- Friction Hinges
- CA Prop 65*

Inside Opening



PART NO.	CUT-OUT SIZE		OVERALL SIZE		ACRYLIC THICKNESS
	A	B	C	D	
LDH-N08-I	8-1/8"	13-3/4"	10-5/8"	16-1/4"	1/2"
LDH-N10-I	10"	10"	12-1/2"	12-1/2"	1/2"
LDH-N20-I	12-1/2"	17-1/2"	15"	20"	1/2"
LDH-N30-I	14-1/2"	19-1/2"	17"	22"	1/2"
LDH-N40-I	16-1/2"	16-1/2"	19"	19"	1/2"
LDH-N50-I	19-1/2"	19-1/2"	22"	22"	1/2"
LDH-N60-I	24"	24"	26-1/2"	26-1/2"	1/2"
LDH-N70-I	31"	31"	33-1/2"	33-1/2"	1/2"

- 316 Stainless Steel Formed
- Mirror Polish Finish
- Smoked Acrylic
- Friction Hinges
- CA Prop 65*

Outside Opening



PART NO.	CUT-OUT SIZE		OVERALL SIZE		ACRYLIC THICKNESS
	A	B	C	D	
LDH-N08-O	8-1/8"	13-3/4"	10-5/8"	16-1/4"	1/2"
LDH-N10-O	10"	10"	12-1/2"	12-1/2"	1/2"
LDH-N20-O	12-1/2"	17-1/2"	15"	20"	1/2"
LDH-N30-O	14-1/2"	19-1/2"	17"	22"	1/2"
LDH-N40-O	16-1/2"	16-1/2"	19"	19"	1/2"
LDH-N50-O	19-1/2"	19-1/2"	22"	22"	1/2"
LDH-N60-O	24"	24"	26-1/2"	26-1/2"	1/2"
LDH-N70-O	31"	31"	33-1/2"	33-1/2"	1/2"



* WARNING: Cancer and Reproductive Harm - www.P65warnings.ca.gov - See page 158 to learn more about California Proposition 65

Friction Round Low Profile | LDHR

- 316 Stainless Steel Formed
- Mirror Polish Finish
- Smoked Acrylic
- Friction Hinges
- CA Prop 65*



Inside Opening

PART NO.	CUT-OUT SIZE		OVERALL SIZE C	ACRYLIC THICKNESS
	A			
LDHR-40-I	16-1/2"		19"	1/2"
LDHR-50-I	19-1/2"		22"	1/2"
LDHR-60-I	24"		26-1/2"	1/2"
LDHR-70-I	31"		33-1/2"	1/2"

Outside Opening

PART NO.	CUT-OUT SIZE		OVERALL SIZE C	ACRYLIC THICKNESS
	A			
LDHR-40-O	16-1/2"		19"	1/2"
LDHR-50-O	19-1/2"		22"	1/2"
LDHR-60-O	24"		26-1/2"	1/2"
LDHR-70-O	31"		33-1/2"	1/2"

Friction Half Moon Low Profile | LDHS

- 316 Stainless Steel Formed
- Mirror Polish Finish
- Smoked Acrylic
- Friction Hinges
- CA Prop 65*



Inside Opening

PART NO.	CUT-OUT SIZE		OVERALL SIZE		ACRYLIC THICKNESS
	A	B	C	D	
LDHS-50-I	11"	19-1/2"	13-1/2"	22"	1/2"
LDHS-60-I	13-1/4"	24"	15-3/4"	26-1/2"	1/2"

Outside Opening

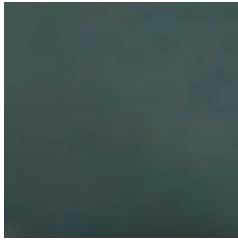
PART NO.	CUT-OUT SIZE		OVERALL SIZE		ACRYLIC THICKNESS
	A	B	C	D	
LDHS-50-O	11"	19-1/2"	13-1/2"	22"	1/2"
LDHS-60-O	13-1/4"	24"	15-3/4"	26-1/2"	1/2"



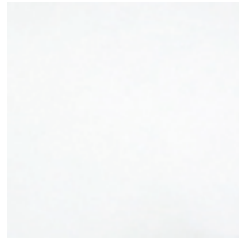
* WARNING: Cancer and Reproductive Harm - www.P65warnings.ca.gov - See page 158 to learn more about California Proposition 65

Additional Options and Features

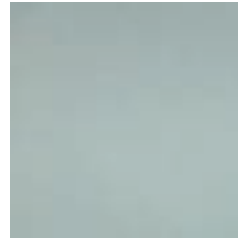
Acrylic Tint



Smoked
(Standard)



Clear



Green

Outside Opening Option 1: A 3rd inside only Handle



- Similar to a dead bolt for a home door

Outside Opening Option 2: Extrusion for Pad Lock



Alternative Frame Options

Standard deck hatches are made from 316 stainless steel and high polished. Optional off-white powder coating or titanium gold plating is available.



* **WARNING:** Cancer and Reproductive Harm - www.P65warnings.ca.gov - See page 158 to learn more about California Proposition 65

Deck Hatch Accessories / Replacement Parts

Handle Assembly

HANDLE For inside / double open hatch



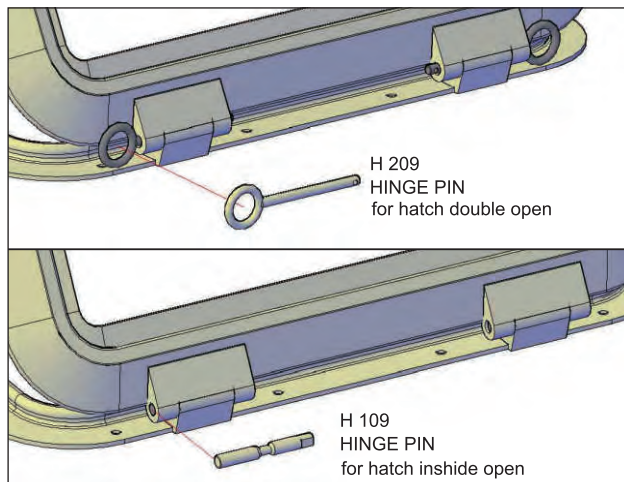
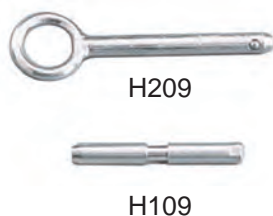
HANDLE For in / outside hatch



Stainless Handle Available



Hinge Pins



Deck Hatch Accessories / Replacement Parts

Hatch Arms

HATCH ARM



PART NO.	FOR HATCH SIZES
H301R and H301L	19-1/2" x 19-1/2" 24" x 24" 31" x 31"
H301R	14-1/2" x 19-1/2" 16-1/2" x 16-1/2"
H302R	12-1/2" x 17-1/2"
H303R	8-1/8" x 13-3/4"

H301R & H301L

Recommended for deck hatches sizes 19-1/2" x 19-1/2" and above
 15-1/2" Open Length, 10-1/4" Closed Length
 5 Opening Positions

H301R

Recommended for deck hatches sizes 14-1/2" x 19-1/2", 16-1/2" x 16-1/2"
 15-1/2" Open Length, 10-1/4" Closed Length
 5 Opening Positions

H302R

Recommended for deck hatches size 12-1/2" x 17-1/2"
 12-1/2" Open Length, 8-3/4" Closed Length
 4 Opening Positions

H303R

Recommended for deck hatches size 8-1/8" x 13-3/4"
 9-1/2" Open Length, 7" Closed Length
 3 Opening Positions

Gasket

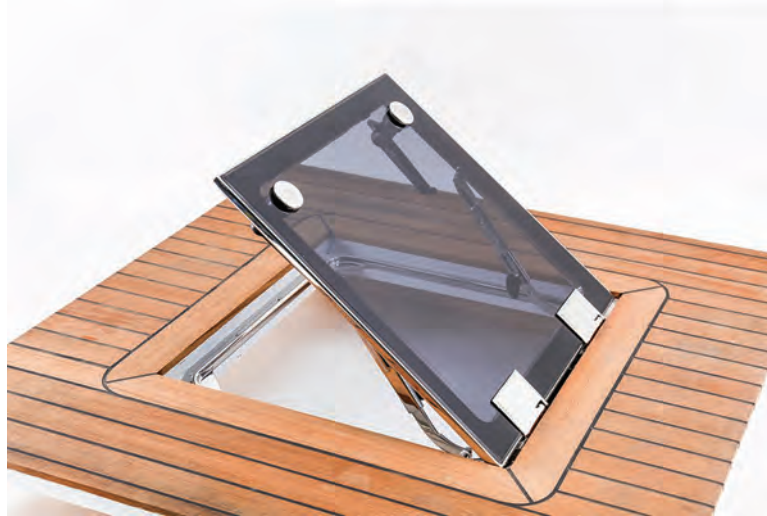


- Replacement Gasket for Man Ship Deck Hatches
- Weather Resistant Neoprene Gasket
- For Deck Hatch Models DH and LDH

PART NO.	FOR MODEL	CROSS SECTION	UNIT LENGTH
208	DH	3/4" x 3/4"	Any Length
209-1730	LDH	3/4" x 11/16"	5.5 ft
209-1990	LDH	3/4" x 11/16"	6.5 ft
209-2440	LDH	3/4" x 11/16"	8 ft

* **WARNING:** Cancer and Reproductive Harm - www.P65warnings.ca.gov - See page 158 to learn more about California Proposition 65

Flush Deck Hatch



The engineers at Man Ship have designed a sleek hatch option that is flush to your deck, while still enclosed in an elegant 316 stainless steel frame. Other flush hatches in the market lack this frame, and over time acrylic will warp and deform from sun exposure. With Man Ship's well-engineered design, you'll have a beautiful flush hatch that will last.

- 316 Stainless Steel Formed
- Friction Hinge option is available upon request
- Smoked Acrylic
- Watertight hatch withstanding the pressure of 5Mpa
- Developed to withstand the effects of weather such as sun exposure, temperature fluctuations, rain, etc.
- A modern hatch with an elegant stainless steel outer frame to strengthen and enclose the acrylic lens. Acrylic naturally warps under heat, but Man Ship's hatch will stand the test of time
- All stainless construction is grade Stainless Steel 316
- Custom sizes available

Handle Types

Inside Opening (Standard)



Inside Opening with Winch Style



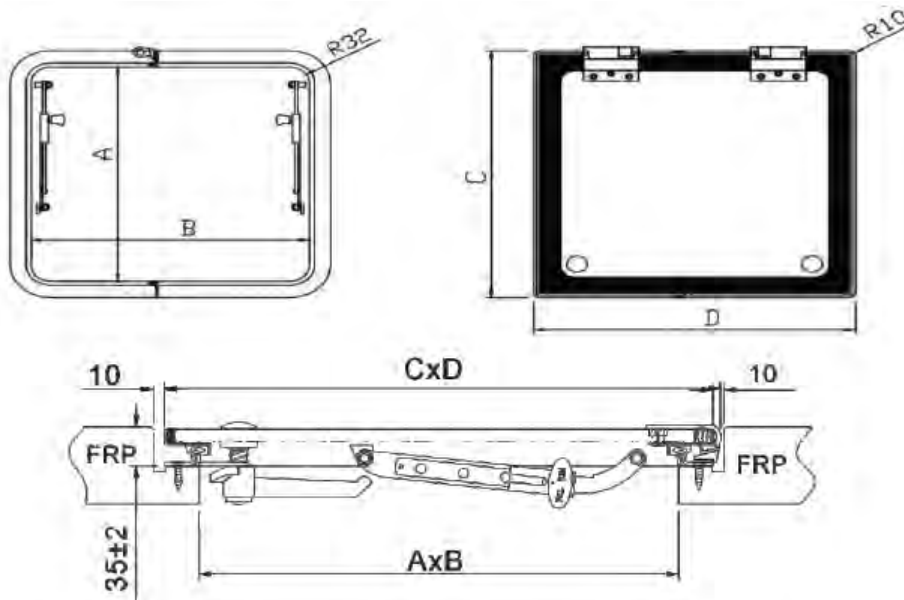
Inside/Outside Opening



* **WARNING:** Cancer and Reproductive Harm - www.P65warnings.ca.gov - See page 158 to learn more about California Proposition 65

Flush Deck Hatch

- 316 Stainless Steel Formed
- Mirror Polish Finish
- Smoked Acrylic
- Adjustable Hatch Arms
- CA Prop 65*



Inside Opening

PART NO	CUT-OUT SIZE		OVERALL SIZE		ACRYLIC THICKNESS
	A	B	C	D	
FDHA-15-I	15-7/16"	19-5/16"	18-3/16"	22-11/16"	1/2"
FDHA-17-I	17-3/8"	17-3/8"	20-3/16"	20-3/16"	1/2"
FDHA-20-I	19-15/16"	19-15/16"	22-11/16"	22-11/16"	1/2"
FDHA-24-I	24-11/16"	24-11/16"	27-1/2"	27-1/2"	1/2"

Inside/Outside Opening

PART NO	CUT-OUT SIZE		OVERALL SIZE		ACRYLIC THICKNESS
	A	B	C	D	
FDHA-15-O	15-7/16"	19-5/16"	18-3/16"	22-11/16"	1/2"
FDHA-17-O	17-3/8"	17-3/8"	20-3/16"	20-3/16"	1/2"
FDHA-20-O	19-15/16"	19-15/16"	22-11/16"	22-11/16"	1/2"
FDHA-24-O	24-11/16"	24-11/16"	27-1/2"	27-1/2"	1/2"

* WARNING: Cancer and Reproductive Harm - www.P65warnings.ca.gov - See page 158 to learn more about California Proposition 65

View the quality and custom capabilities of our stainless steel portlights



Custom Capabilities _____



* WARNING: Cancer and Reproductive Harm - www.P65warnings.ca.gov - See page 158 to learn more about California Proposition 65

Opening Formed Stainless Steel Portlights

Features

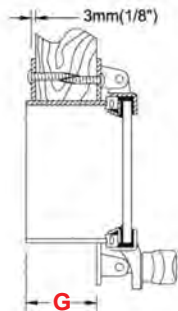
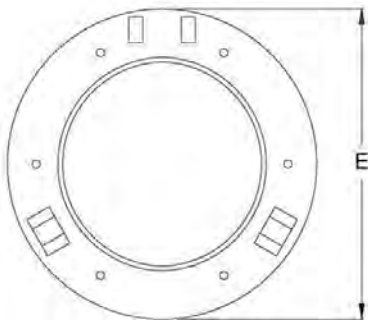
- 316 Stainless Steel Formed Frame For High Grade Strength And Corrosion Resistance
- Tempered Glass
- Angled (For Rectangular And Oval Only) Or Straight Spigot
- Standard Spigot Lengths (**G**): 1-1/4", 1-1/2", 2", 2-1/2", 3", 3-1/2"
- Custom Sizes Available
- Custom Spigot Sizes Available
- Screen is Included
- Watertight

CE Approved according to ISO/DIS 12216

- LS, LSO, LSR type are approved for Area III, IV for craft type "any"
- CLS, CLSO, CLSR type approved for Area I, II, III, and IV for craft type "any"

Round Opening Portlights | LSR

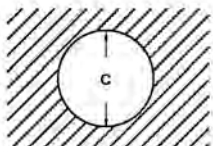
- 316 Stainless Steel Formed
- Mirror Polish Finish
- Tempered, Clear Glass
- Watertight
- CA Prop 65*



LSR-XXXXXS
STRAIGHT SPIGOT

PART NO.	C	E	GLASS THICKNESS
LSR-07-GS	7-1/4"	9-5/8"	5/16"
LSR-08-GS	8-1/4"	10-5/8"	5/16"
LSR-10-GS	10-3/8"	12-7/8"	3/8"
LSR-12-GS	12-3/8"	14-7/8"	3/8"
LSR-14-GS	14-3/8"	16-7/8"	3/8"

Please specify "G" dimension.



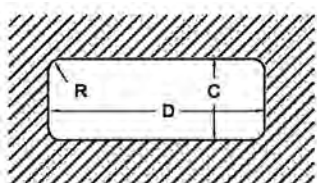
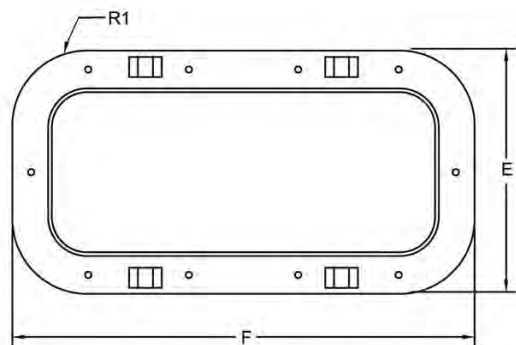
Cut-Out Size (Hole Size) in the Boat



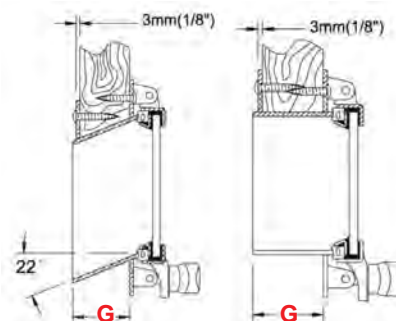
⚠️ * WARNING: Cancer and Reproductive Harm - www.P65warnings.ca.gov - See page 158 to learn more about California Proposition 65

Rectangular Opening Portlights | LS

- 316 Stainless Steel Formed
- Mirror Polish Finish
- Tempered, Clear Glass
- Watertight
- CA Prop 65*



Cut-Out Size (Hole Size) in the Boat



LS-XXXXA ANGLED SPIGOT LS-XXXXS STRAIGHT SPIGOT

Please specify "G" dimension.

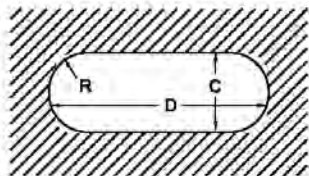
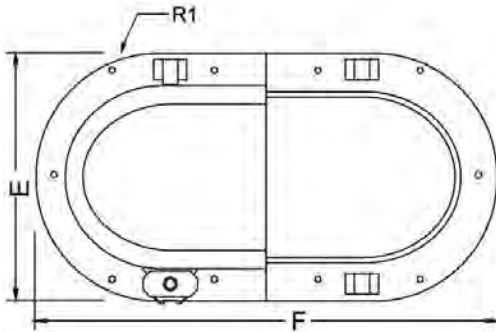
PART NO. ANGLED	PART NO. STRAIGHT	CUT-OUT SIZE		OVERALL SIZE				GLASS THK
		C	D	E	F	R	R1	
LS-0512-GA	LS-0512-GS	5-1/4"	12-1/8"	7-5/8"	14-1/2"	1-1/4"	2-3/8"	1/4"
LS-0714-GA	LS-0714-GS	7-1/4"	14-1/4"	9-5/8"	16-5/8"	1-1/4"	2-3/8"	1/4"
LS-0716-GA	LS-0716-GS	7-1/4"	16-1/4"	9-5/8"	18-5/8"	1-1/4"	2-3/8"	1/4"
LS-0718-GA	LS-0718-GS	7-1/4"	18-1/4"	9-5/8"	20-5/8"	1-1/4"	2-3/8"	1/4"
LS-0816-GA	LS-0816-GS	8-1/4"	16-1/4"	10-5/8"	18-5/8"	1-1/4"	2-3/8"	1/4"
LS-0818-GA	LS-0818-GS	8-1/4"	18-1/4"	10-5/8"	20-5/8"	1-1/4"	2-3/8"	1/4"
LS-1020-GA	LS-1020-GS	10-3/8"	20-3/8"	12-7/8"	22-7/8"	1-1/4"	2-1/2"	3/8"
LS-1024-GA	LS-1024-GS	10-3/8"	24-3/8"	12-7/8"	26-7/8"	1-1/4"	2-1/2"	3/8"
LS-1224-GA	LS-1224-GS	12-3/8"	24-3/8"	14-7/8"	26-7/8"	1-1/4"	2-1/2"	3/8"
LS-1228-GA	LS-1228-GS	12-3/8"	28-3/8"	14-7/8"	30-7/8"	1-1/4"	2-1/2"	3/8"



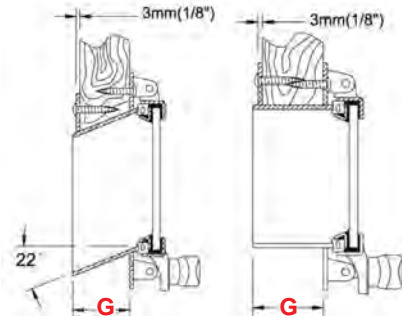
* WARNING: Cancer and Reproductive Harm - www.P65warnings.ca.gov - See page 158 to learn more about California Proposition 65

Oval Opening Portlights | LSO

- 316 Stainless Steel Formed
- Mirror Polish Finish
- Tempered, Clear Glass
- Watertight
- CA Prop 65*



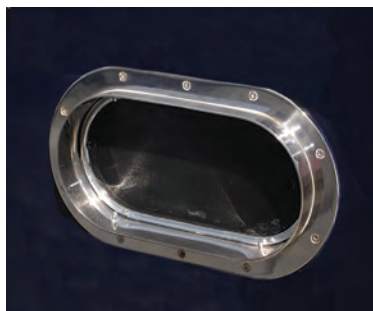
Cut-Out Size (Hole Size) in the Boat



LSO-XXXXA ANGLED SPIGOT LSO-XXXXS STRAIGHT SPIGOT

Please specify "G" dimension.

PART NO. ANGLED	PART NO. STRAIGHT	CUT-OUT SIZE		OVERALL SIZE			GLASS	
		C	D	E	F	R	R1	THK
LSO-0512-GA	LSO-0512-GS	5-1/4"	12-1/8"	7-5/8"	14-1/2"	2-5/8"	3-7/8"	5/16"
LSO-0714-GA	LSO-0714-GS	7-1/4"	14-1/4"	9-5/8"	16-5/8"	3-5/8"	4-7/8"	5/16"
LSO-0716-GA	LSO-0716-GS	7-1/4"	16-1/4"	9-5/8"	18-5/8"	3-5/8"	4-7/8"	5/16"
LSO-0718-GA	LSO-0718-GS	7-1/4"	18-1/4"	9-5/8"	20-5/8"	3-5/8"	4-7/8"	5/16"
LSO-0816-GA	LSO-0816-GS	8-1/4"	16-1/4"	10-5/8"	18-5/8"	4-1/8"	5-3/8"	5/16"
LSO-0818-GA	LSO-0818-GS	8-1/4"	18-1/4"	10-5/8"	20-5/8"	4-1/8"	5-3/8"	5/16"
LSO-1020-GA	LSO-1020-GS	10-3/8"	20-3/8"	12-7/8"	22-7/8"	5-1/8"	6-3/8"	3/8"
LSO-1024-GA	LSO-1024-GS	10-3/8"	24-3/8"	12-7/8"	26-7/8"	5-1/8"	6-3/8"	3/8"
LSO-1224-GA	LSO-1224-GS	12-3/8"	24-3/8"	14-7/8"	26-7/8"	6-1/8"	7-3/8"	3/8"
LSO-1228-GA	LSO-1228-GS	12-3/8"	28-3/8"	14-7/8"	30-7/8"	6-1/8"	7-3/8"	3/8"



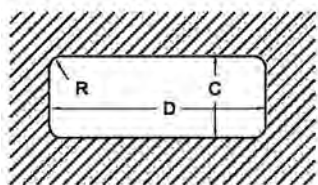
⚠️ * WARNING: Cancer and Reproductive Harm - www.P65warnings.ca.gov - See page 158 to learn more about California Proposition 65

Fixed Formed Stainless Portlights

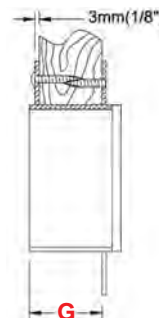
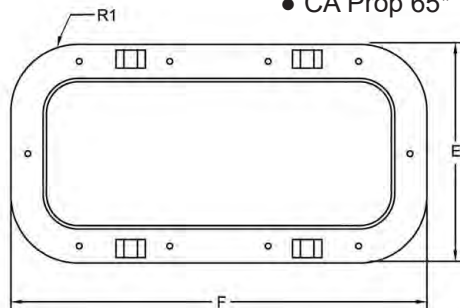
- 316 Stainless Steel Formed Frame For High Grade Strength And Corrosion Resistance
- Model AFLS Is Flush
- Model BFLS Is Raised
- Tempered Glass
- Straight Spigot Only
- Custom Sizes Available
- Standard Spigot Lengths (G): 1-1/4", 1-1/2", 2", 2-1/2", 3", 3-1/2"
- Custom Spigot Sizes Available

Rectangular Fixed Formed Portlights

- 316 Stainless Steel Formed
- Mirror Polish Finish
- Tempered, Clear Glass
- Watertight
- CA Prop 65*

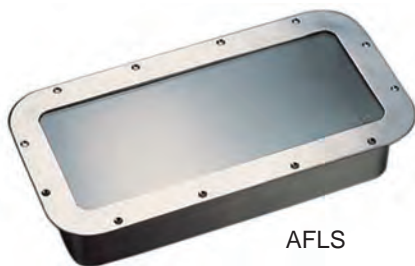


Cut-Out Size (Hole Size) in the Boat



XFLS-XXXXS
STRAIGHT SPIGOT

Please specify "G" dimension.



AFLS



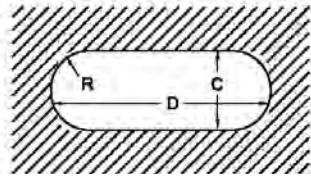
BFLS

PART NO. STRAIGHT	PART NO. STRAIGHT	CUT-OUT SIZE		OVERALL SIZE			GLASS	
		C	D	E	F	R	R1	THK
AFLS-0512-GS	BFLS-0512-GS	5-1/4"	12-1/8"	7-5/8"	14-1/2"	1-1/4"	2-3/8"	1/4"
AFLS-0714-GS	BFLS-0714-GS	7-1/4"	14-1/4"	9-5/8"	16-5/8"	1-1/4"	2-3/8"	1/4"
AFLS-0716-GS	BFLS-0716-GS	7-1/4"	16-1/4"	9-5/8"	18-5/8"	1-1/4"	2-3/8"	1/4"
AFLS-0718-GS	BFLS-0718-GS	7-1/4"	18-1/4"	9-5/8"	20-5/8"	1-1/4"	2-3/8"	1/4"
AFLS-0816-GS	BFLS-0816-GS	8-1/4"	16-1/4"	10-5/8"	18-5/8"	1-1/4"	2-3/8"	1/4"
AFLS-0818-GS	BFLS-0818-GS	8-1/4"	18-1/4"	10-5/8"	20-5/8"	1-1/4"	2-3/8"	1/4"
AFLS-1020-GS	BFLS-1020-GS	10-3/8"	20-3/8"	12-7/8"	22-7/8"	1-1/4"	2-1/2"	3/8"
AFLS-1024-GS	BFLS-1024-GS	10-3/8"	24-3/8"	12-7/8"	26-7/8"	1-1/4"	2-1/2"	3/8"
AFLS-1224-GS	BFLS-1224-GS	12-3/8"	24-3/8"	14-7/8"	26-7/8"	1-1/4"	2-1/2"	3/8"
AFLS-1228-GS	BFLS-1228-GS	12-3/8"	28-3/8"	14-7/8"	30-7/8"	1-1/4"	2-1/2"	3/8"



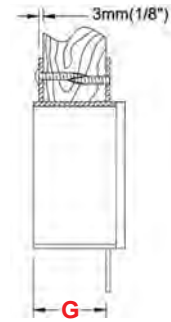
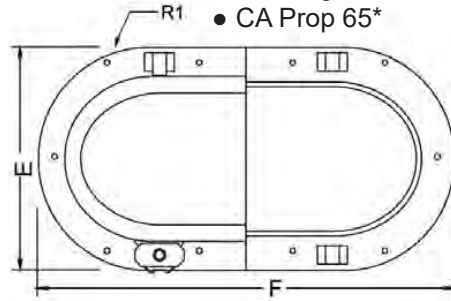
* WARNING: Cancer and Reproductive Harm - www.P65warnings.ca.gov - See page 158 to learn more about California Proposition 65

Oval Fixed Formed Portlights



Cut-Out Size (Hole Size) in the Boat

- 316 Stainless Steel Formed
- Mirror Polish Finish
- Tempered, Clear Glass
- Watertight
- CA Prop 65*



XFLSO-XXXXS
STRAIGHT SPIGOT

Please specify "G" dimension.



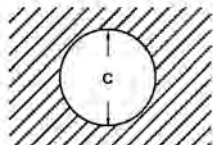
AFLSO



BFLSO

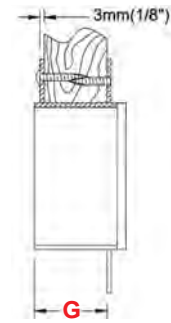
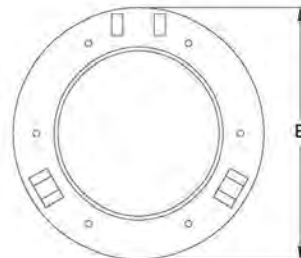
PART NO. STRAIGHT		PART NO. STRAIGHT		CUT-OUT SIZE		OVERALL SIZE		GLASS THK	
		C	D	E	F	R	R1		
AFLSO-0512-GS	BFLSO-0512-GS	5-1/4"	12-1/8"	7-5/8"	14-1/2"	2-5/8"	3-7/8"	1/4"	
AFLSO-0714-GS	BFLSO-0714-GS	7-1/4"	14-1/4"	9-5/8"	16-5/8"	3-5/8"	4-7/8"	1/4"	
AFLSO-0716-GS	BFLSO-0716-GS	7-1/4"	16-1/4"	9-5/8"	18-5/8"	3-5/8"	4-7/8"	1/4"	
AFLSO-0718-GS	BFLSO-0718-GS	7-1/4"	18-1/4"	9-5/8"	20-5/8"	3-5/8"	4-7/8"	1/4"	
AFLSO-0816-GS	BFLSO-0816-GS	8-1/4"	16-1/4"	10-5/8"	18-5/8"	4-1/8"	5-3/8"	1/4"	
AFLSO-0818-GS	BFLSO-0818-GS	8-1/4"	18-1/4"	10-5/8"	20-5/8"	4-1/8"	5-3/8"	1/4"	
AFLSO-1020-GS	BFLSO-1020-GS	10-3/8"	20-3/8"	12-7/8"	22-7/8"	5-1/8"	6-3/8"	3/8"	
AFLSO-1024-GS	BFLSO-1024-GS	10-3/8"	24-3/8"	12-7/8"	26-7/8"	5-1/8"	6-3/8"	3/8"	
AFLSO-1224-GS	BFLSO-1224-GS	12-3/8"	24-3/8"	14-7/8"	26-7/8"	6-1/8"	7-3/8"	3/8"	
AFLSO-1228-GS	BFLSO-1228-GS	12-3/8"	28-3/8"	14-7/8"	30-7/8"	6-1/8"	7-3/8"	3/8"	

Round Fixed Formed Portlights



Cut-Out Size (Hole Size) in the Boat

- 316 Stainless Steel Formed
- Mirror Polish Finish
- Tempered, Clear Glass
- Watertight
- CA Prop 65*



XFLSR-XXXXS
STRAIGHT SPIGOT

Please specify "G" dimension.



AFLSR



BFLSR

PART NO. STRAIGHT		PART NO. STRAIGHT		CUT-OUT SIZE	OVERALL SIZE	GLASS THK
		C	E			
AFLSR-05-GS	BFLSR-05-GS	5-1/4"	7-5/8"	1/4"		
AFLSR-06-GS	BFLSR-06-GS	6-1/4"	8-5/8"	1/4"		
AFLSR-07-GS	BFLSR-07-GS	7-1/4"	9-5/8"	1/4"		
AFLSR-08-GS	BFLSR-08-GS	8-1/4"	10-5/8"	1/4"		
AFLSR-10-GS	BFLSR-10-GS	10-3/8"	12-7/8"	3/8"		
AFLSR-12-GS	BFLSR-12-GS	12-3/8"	14-7/8"	3/8"		
AFLSR-14-GS	BFLSR-14-GS	14-3/8"	16-7/8"	3/8"		

⚠️ * WARNING: Cancer and Reproductive Harm - www.P65warnings.ca.gov - See page 158 to learn more about California Proposition 65

Trim Rings

Traditional Trim Ring



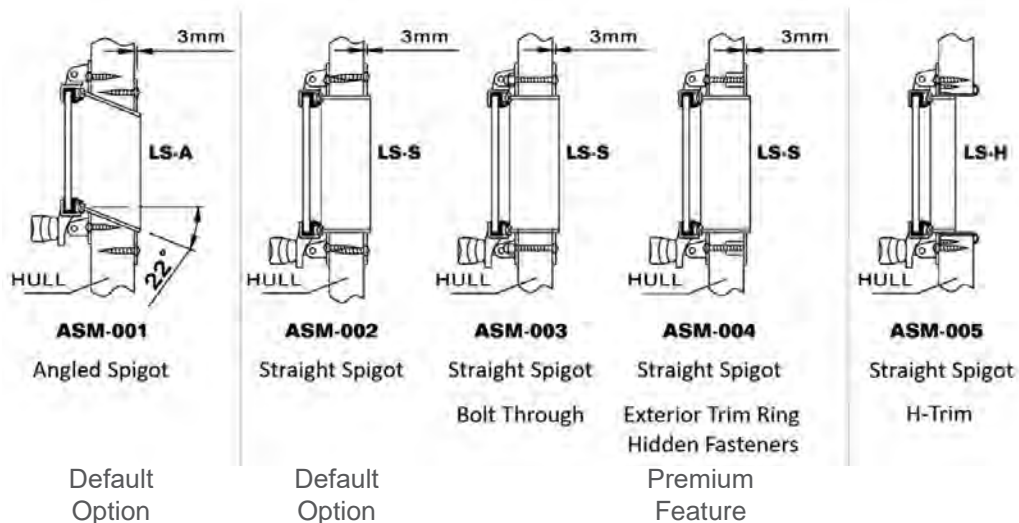
H Trim Ring (Modern)



Please note that for the H Trim Ring, the spigot is on the trim ring itself and results in a tighter tolerance.

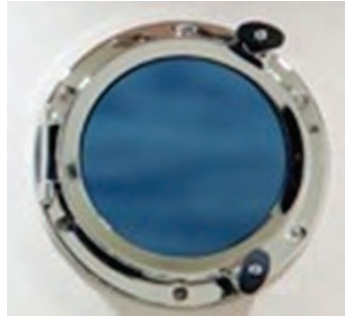
Additional Options and Features

Spigot Style and Installation



Methods of Keeping your Portlight Open

Traditional



Installed Horizontally



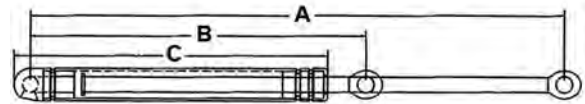
T-Bar Portlight Chain 8130S

Stay Arms

- Great Alternative For Keeping Portlight Open
- Stay Arms Use Friction Technology
- Open At Different Angles/Positions.



PART NO.	A	B	C
7124	5-13/16"	4"	3-5/8"
7125	6-7/8"	4-1/2"	4-1/8"
7126	8-3/16"	5-1/8"	4-13/16"



Fit Guide:

PART NO.	LS	LSR	LSO	LE
7124	5" x 12"	5"		
	10" x 20" (2pcs)	6"	5" x 12"	7-1/4" x 18"
7125	6" x 14"		6" x 14"	
	7" x 14"		7" x 14"	
	7" x 16"		7" x 16"	
	7" x 18"		7" x 18"	
	8" x 16"	7"	8" x 16"	
	8" x 18"	8"	8" x 18"	
7126		10"		
		12"		
		14"		

Friction Hinges



Features

- 316 Marine Grade Stainless Steel
- Engineered With An Internal Adjustable Set-Screw
- Adjust The Set-Screw For More Or Less Resistance
- Open Portlight Then Position At Any Angle
- Full 180 Degree Positioning
- Premium Hinge Option
- Hinge Has Been Crafted With A Smooth Outer Appearance
- No More Hatch Arms, Port Chains Or Port Hooks

Active Harm - www.P65warnings.ca.gov - See page 158 to learn more about California Proposition 65

Optional Stainless Knob Options



7130

7128

Alternative Frame Options

Standard deck hatches are made from 316 stainless steel and high polished. Optional off-white powder coating or titanium gold plating is available.

Glass Tint



Frosted Glass

All glass tints can also be frosted for extra privacy.



* **WARNING:** Cancer and Reproductive Harm - www.P65warnings.ca.gov - See page 158 to learn more about California Proposition 65

Storm Covers

- Storm Covers for additional safety
- Easily installed and removable.



Portlight Accessories

Screens



Portlight Knob and Pin



P001



P002

Gasket



7122

7122-B

7122-C

- Replacement Gasket for Man Ship Portlights
- Weather Resistant Neoprene Gasket
- For Portlight Models LS, LSO, LSR, and LE

PART NO.	FOR MODEL	CROSS SECTION	UNIT LENGTH
7122-LS	LS	7/16" x 3/8"	Any Length
7122-LOLR	LSO, LSO, LR, LSR	5/8" x 1/2"	16 ft.
7122-LE	LE	1/2" x 1/2"	4 ft.

For rectangular (LS) portlights larger than 10" x 20", the 7122-LOLR gasket is used.

⚠️ * WARNING: Cancer and Reproductive Harm - www.P65warnings.ca.gov - See page 158 to learn more about California Proposition 65

Opening Stamped Stainless Portlights

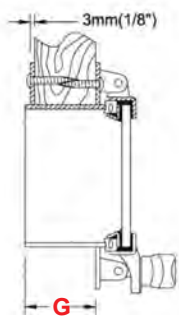
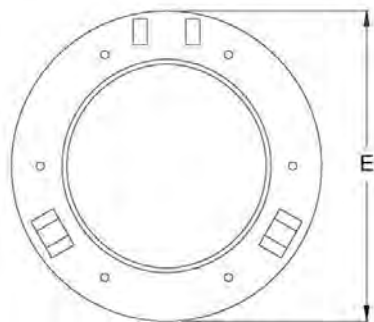
- 316 Stainless Steel Stamped Frame
- Friction Hinge
- Tempered Glass
- Straight Spigot, H Trim Only
- Standard Listed Sizes Only
- Standard Spigot Lengths (**G**): 1-1/4", 1-1/2", 2", 2-1/2", 3", 3-1/2"
- Custom Spigot Sizes Available
- Available With Storm Cover

CE Approved according to ISO/DIS 12216

- LE, LO, LR type are approved for Area III, IV for craft type "any"

Round Opening Stamped Portlights | LR

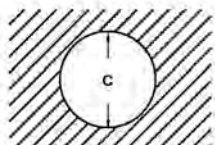
- 316 Stainless Steel Stamped
- Mirror Polish Finish
- Tempered, Clear Glass
- CA Prop 65*



LR-XXXXH
STRAIGHT SPIGOT

PART NO.	CUT-OUT SIZE C	OVERALL SIZE E	GLASS THICKNESS
LR-05-GH	5-5/8"	7-7/8"	5/16"
LR-06-GH	6-5/8"	8-7/8"	5/16"
LR-07-GH	7-5/8"	9-7/8"	5/16"
LR-08-GH	8-5/8"	10-7/8"	5/16"

Please specify "G" dimension.



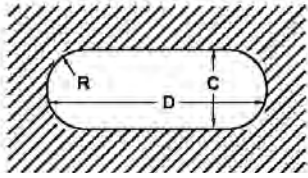
Cut-Out Size (Hole Size) in the Boat



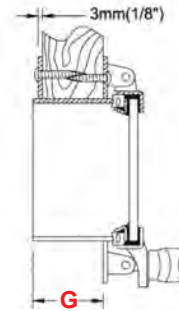
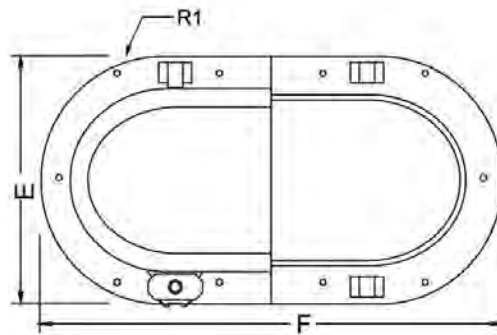
* **WARNING:** Cancer and Reproductive Harm - www.P65warnings.ca.gov - See page 158 to learn more about California Proposition 65

Oval Opening Stamped Portlights | LO

- 316 Stainless Steel Stamped
- Mirror Polish Finish
- Tempered, Clear Glass
- CA Prop 65*



Cut-Out Size (Hole Size) in the Boat



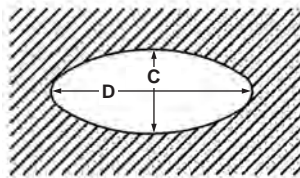
LO-XXXXH
STRAIGHT SPIGOT

Please specify "G" dimension.

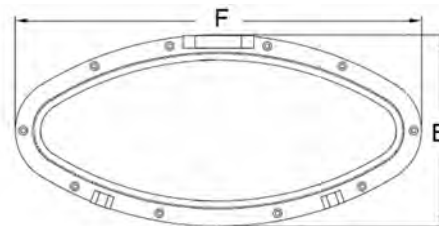
PART NO.	CUT-OUT SIZE		OVERALL SIZE			GLASS THK	
	C	D	E	F	R		
LO-0512-GH	5-5/8"	12-5/8"	7-7/8"	14-7/8"	2-5/8"	3-7/8"	5/16"
LO-0614-GH	6-5/8"	14-5/8"	8-7/8"	16-7/8"	3-5/8"	4-7/8"	5/16"
LO-0714-GH	7-5/8"	14-5/8"	9-7/8"	16-7/8"	3-5/8"	4-7/8"	5/16"
LO-0716-GH	7-5/8"	16-5/8"	9-7/8"	18-7/8"	3-5/8"	4-7/8"	5/16"
LO-0718-GH	7-5/8"	18-5/8"	9-7/8"	20-7/8"	3-5/8"	4-7/8"	5/16"
LO-0816-GH	8-5/8"	16-5/8"	10-7/8"	18-7/8"	4-1/8"	5-3/8"	5/16"
LO-0818-GH	8-5/8"	18-5/8"	10-7/8"	20-7/8"	4-1/8"	5-3/8"	5/16"

Elliptical Opening Stamped Portlights | LE

- 316 Stainless Steel Stamped
- Mirror Polish Finish
- Tempered, Clear Glass
- CA Prop 65*



Cut-Out Size (Hole Size) in the Boat



LE-XXXXS
STRAIGHT SPIGOT

Please specify "G" dimension.

PART NO.	CUT-OUT SIZE		OVERALL SIZE		ACRYLIC THICKNESS
	C	D	E	F	
LE-0718-GH	7-3/8"	18"	9-5/8"	20-3/8"	5/16"

⚠️ * WARNING: Cancer and Reproductive Harm - www.P65warnings.ca.gov - See page 158 to learn more about California Proposition 65

Opening Economy Stainless Portlights

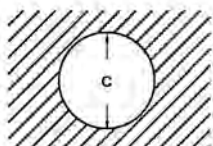
- 316 Stainless Steel Stamped Frame
- Acrylic
- Straight Spigot, H Trim Only
- Standard Listed Sizes Only
- Standard Spigot Lengths (**G**): 1-1/4", 1-1/2", 2", 2-1/2", 3", 3-1/2"
- Custom Spigot Sizes Available
- Screens Are Not Removable

CE Approved according to ISO/DIS 12216

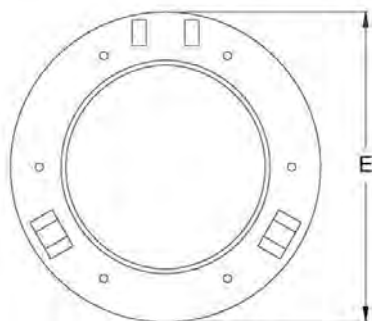
- EE, EO, ER type are approved for Area III, IV for craft type "any"

Round Opening Economy Portlights

- 316 Stainless Steel Stamped
- Mirror Polish Finish
- Smoked Acrylic
- CA Prop 65*



Cut-Out Size (Hole Size) in the Boat



ER-XXXXH
STRAIGHT SPIGOT



Please specify "G" dimension.

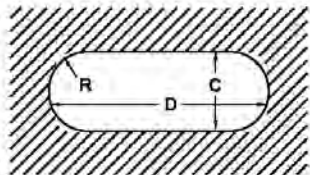
PART NO.	CUT-OUT SIZE C	OVERALL SIZE E	GLASS THICKNESS
ER-05-GH	5-5/8"	7-7/8"	5/16"
ER-06-GH	6-5/8"	8-7/8"	5/16"
ER-07-GH	7-5/8"	9-7/8"	5/16"
ER-08-GH	8-5/8"	10-7/8"	5/16"



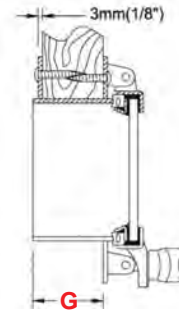
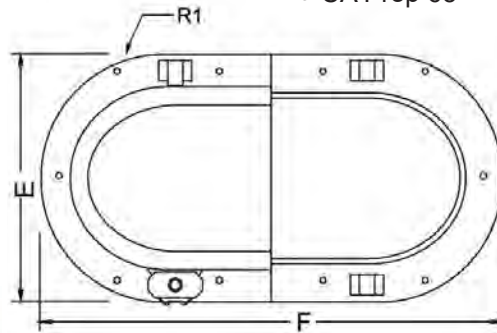
* WARNING: Cancer and Reproductive Harm - www.P65warnings.ca.gov - See page 158 to learn more about California Proposition 65

Oval Opening Economy Portlights

- 316 Stainless Steel Stamped
- Mirror Polish Finish
- Smoked Acrylic
- CA Prop 65*



Cut-Out Size (Hole Size) in the Boat



EO-XXXXH
STRAIGHT SPIGOT

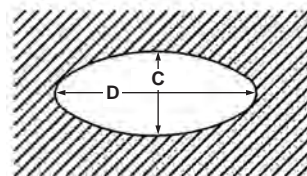
Please specify "G" dimension.



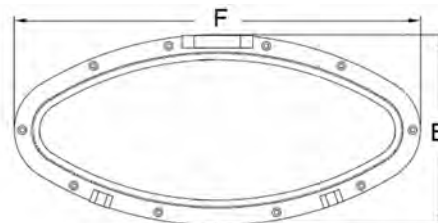
PART NO.	CUT-OUT SIZE		OVERALL SIZE			GLASS THK	
	C	D	E	F	R		
EO-0512-GH	5-3/8"	12-3/8"	7-7/8"	14-7/8"	2-5/8"	3-7/8"	5/16"
EO-0614-GH	6-3/8"	14-3/8"	8-7/8"	16-7/8"	3-5/8"	4-7/8"	5/16"
EO-0714-GH	7-3/8"	14-3/8"	9-7/8"	16-7/8"	3-5/8"	4-7/8"	5/16"
EO-0716-GH	7-3/8"	16-3/8"	9-7/8"	18-7/8"	3-5/8"	4-7/8"	5/16"
EO-0718-GH	7-3/8"	18-3/8"	9-7/8"	20-7/8"	3-5/8"	4-7/8"	5/16"
EO-0816-GH	8-3/8"	16-3/8"	10-7/8"	18-7/8"	4-1/8"	5-3/8"	5/16"
EO-0818-GH	8-3/8"	18-3/8"	10-7/8"	20-7/8"	4-1/8"	5-3/8"	5/16"

Elliptical Opening Economy Portlights

- 316 Stainless Steel Stamped
- Mirror Polish Finish
- Smoked Acrylic
- CA Prop 65*



Cut-Out Size (Hole Size) in the Boat



EE-XXXXS
STRAIGHT SPIGOT

Please specify "G" dimension.



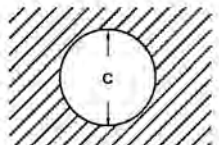
PART NO.	CUT-OUT SIZE		OVERALL SIZE		ACRYLIC THICKNESS
	C	D	E	F	
EE-0718-GH	7-3/8"	18"	9-5/8"	20-3/8"	5/16"

⚠️ * WARNING: Cancer and Reproductive Harm - www.P65warnings.ca.gov - See page 158 to learn more about California Proposition 65

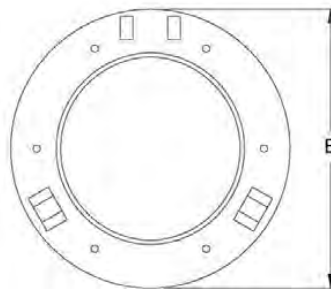
Fixed Stamped Stainless Portlights

- 316 Stainless Steel Stamped Frame
- Tempered Glass
- Straight Spigot, H Trim Only
- Standard Listed Sizes Only
- Standard Spigot Lengths (G): 1-1/4", 1-1/2", 2", 2-1/2", 3", 3-1/2"
- Custom Spigot Sizes Available
- CA Prop 65*

Round Fixed Stamped Portlights



Cut-Out Size (Hole Size) in the Boat



3mm (1/8")



FR-XXXXH
STRAIGHT SPIGOT

Please specify "G" dimension.

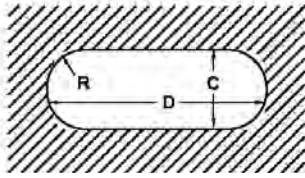


PART NO.	CUT-OUT SIZE C	OVERALL SIZE E	GLASS THICKNESS
FR-05-GH	5-3/8"	7-7/8"	5/16"
FR-06-GH	6-3/8"	8-7/8"	5/16"
FR-07-GH	7-3/8"	9-7/8"	5/16"
FR-08-GH	8-3/8"	10-7/8"	5/16"

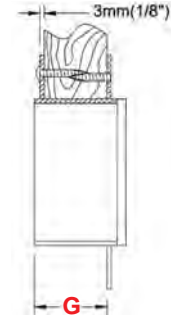
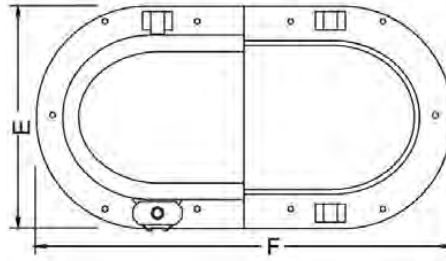


* WARNING: Cancer and Reproductive Harm - www.P65warnings.ca.gov - See page 158 to learn more about California Proposition 65

Oval Fixed Stamped Portlights



Cut-Out Size (Hole Size) in the Boat



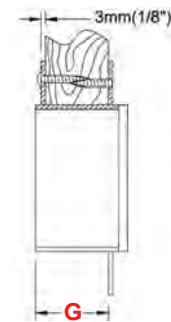
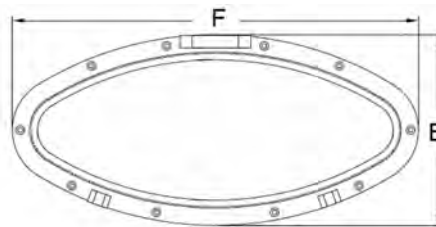
FO-XXXXH
STRAIGHT SPIGOT

Please specify "G" dimension.



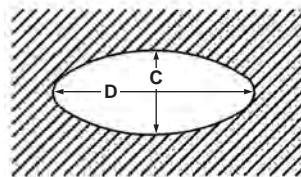
PART NO.	CUT-OUT SIZE		OVERALL SIZE		GLASS THK
	C	D	E	F	
FO-0512-GH	5-3/8"	12-3/8"	7-7/8"	14-7/8"	1/4"
FO-0614-GH	6-3/8"	14-3/8"	8-7/8"	16-7/8"	1/4"
FO-0714-GH	7-3/8"	14-3/8"	9-7/8"	16-7/8"	1/4"
FO-0716-GH	7-3/8"	16-3/8"	9-7/8"	18-7/8"	1/4"
FO-0718-GH	7-3/8"	18-3/8"	9-7/8"	20-7/8"	1/4"
FO-0816-GH	8-3/8"	16-3/8"	10-7/8"	18-7/8"	1/4"
FO-0818-GH	8-3/8"	18-3/8"	10-7/8"	20-7/8"	1/4"

Elliptical Fixed Stamped Portlight



FE-XXXXH
STRAIGHT SPIGOT

Please specify "G" dimension.

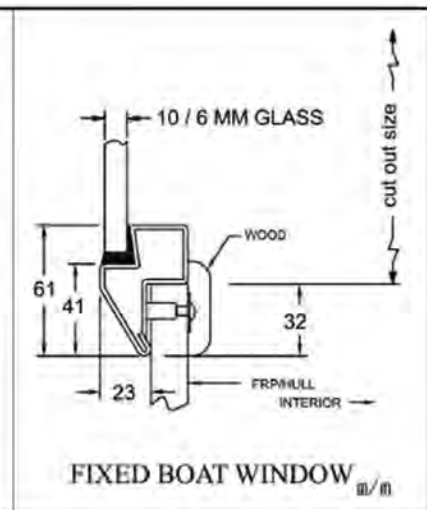
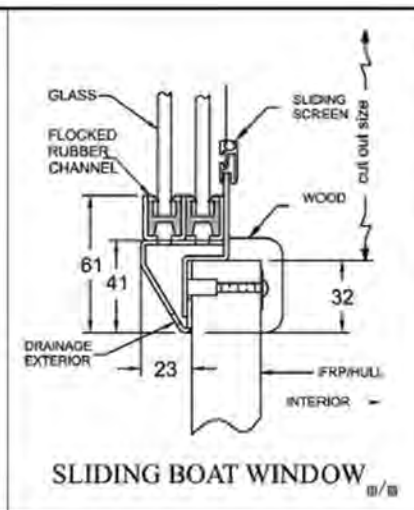
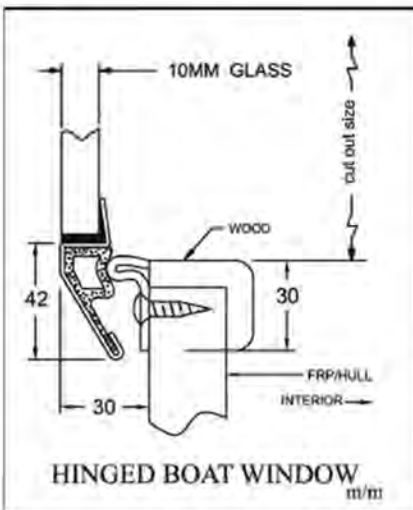


Cut-Out Size (Hole Size) in the Boat

PART NO.	CUT-OUT SIZE		OVERALL SIZE		ACRYLIC THICKNESS
	C	D	E	F	
FE-0718-GH	7-3/8"	18"	9-5/8"	20-3/8"	1/4"

Stainless Windows

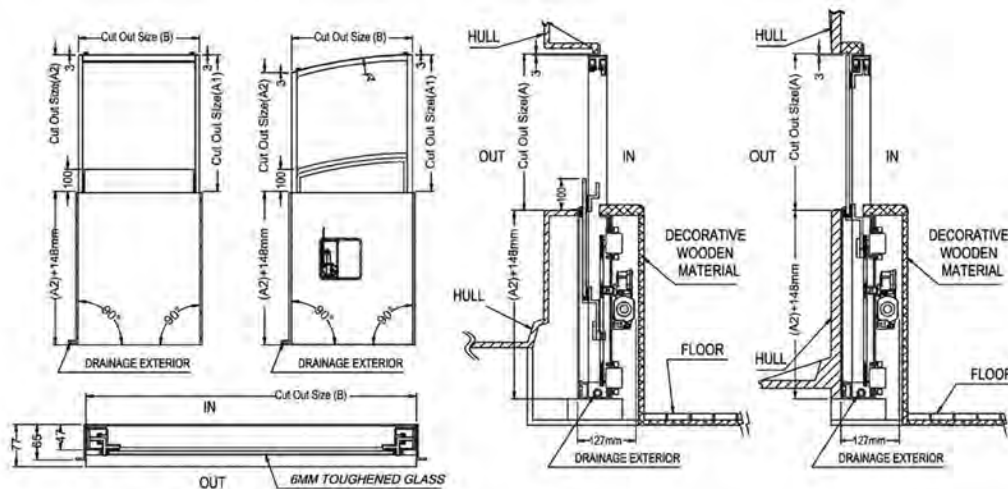
- Available In 316 Stainless Formed
- Fixed, Hinged, And Sliding Windows
- Custom Windows Can Be Done To Your Specifications
- No Exposed Seams Or Fasteners
- Channels Of Sliding Windows Ensure Proper Drainage
- Easy Assembly For Glass Service
- CA Prop 65*



* WARNING: Cancer and Reproductive Harm - www.P65warnings.ca.gov - See page 158 to learn more about California Proposition 65

Automatic Sliding Windows

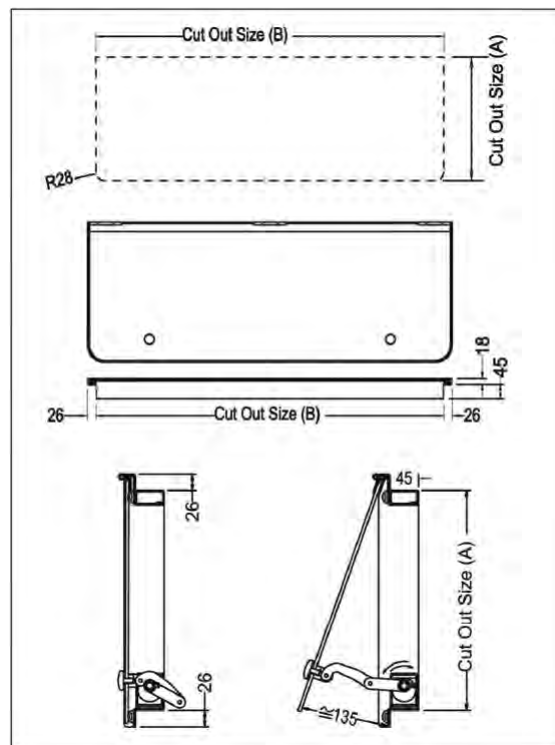
- Aluminum 65061T5 With Black Powder Coating
- 24-12V Motor With Stainless Steel Gears
- 5 mm Tempered Glass
- Custom Designed. Please Provide The A1, A2, B, And R Cut-Out Size
- CA Prop 65*



⚠️ * WARNING: Cancer and Reproductive Harm - www.P65warnings.ca.gov - See page 158 to learn more about California Proposition 65

Automatic Opening Windows

- 316 Stainless Steel
- Polished Finish, Black Or White Powder Coating Available
- 5 mm Tempered Glass
- 24-12V Motor With Stainless Steel Gears
- Custom Designed. Please Provide The A And B Cut-Out Size
- CA Prop 65*

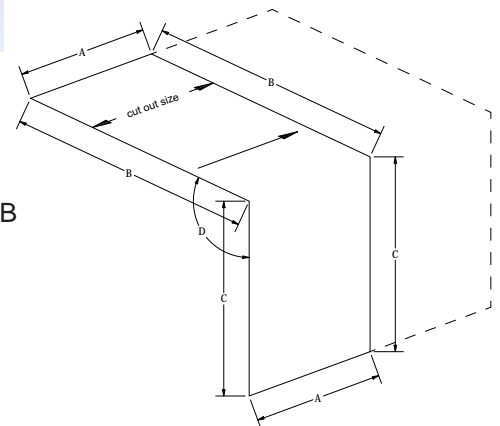
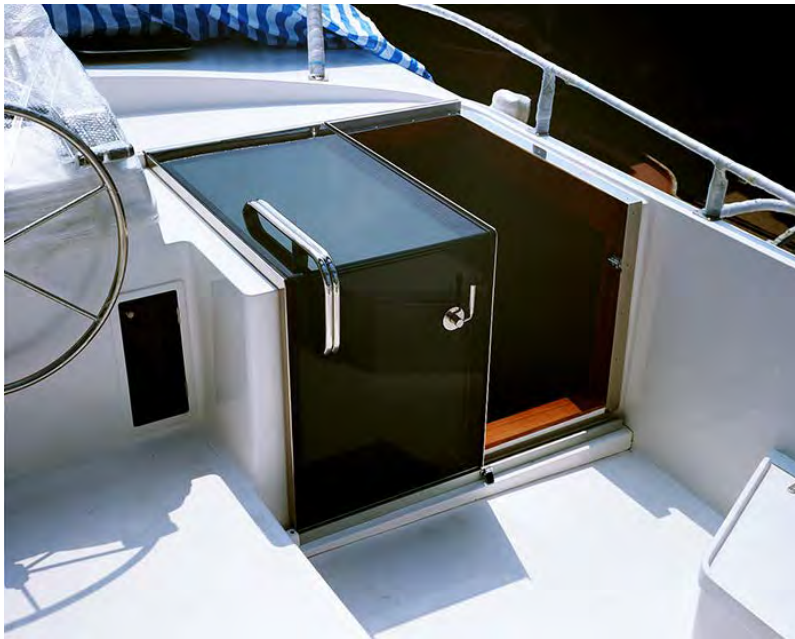


* **WARNING:** Cancer and Reproductive Harm - www.P65warnings.ca.gov - See page 158 to learn more about California Proposition 65

Companionway Doors

- 316 Stainless steel Formed for High Grade Strength and Corrosion Resistance
- Polished To A Mirror Finish
- Available in acrylic 12 mm (tinted tan), or tempered glass 10 mm (tinted tan, green, blue, clear)
- Multiple Layout and Custom Configurations
- Ball bearing Door Slides
- Weathertight
- CA Prop 65*

Sliding Companionway Door

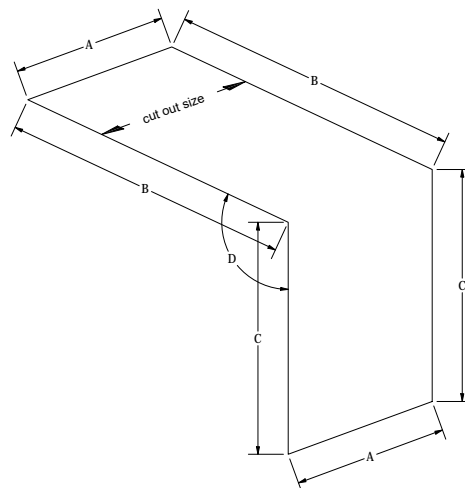


Configurations

To quote, please provide the model number and cut-out size A and B

- Available in acrylic 12mm (tinted tan), or tempered glass 10mm (tinted tan, green, blue, clear)
- Available as left and right sliding

Hinged Companionway Door

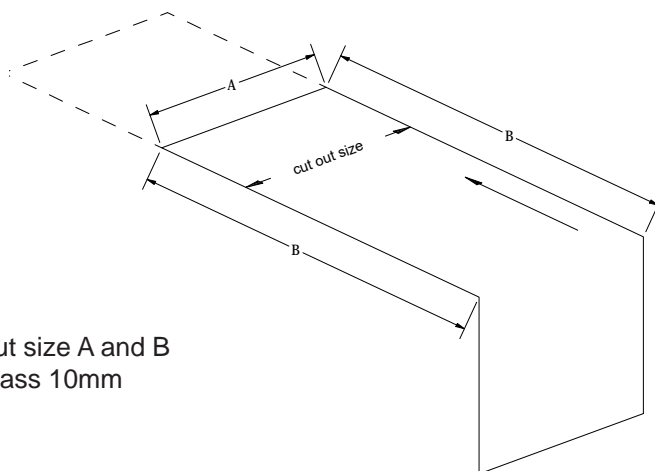


Configurations

To quote, please provide the model number and cut-out size A and B

- Available in acrylic 12mm (tinted tan), or tempered glass 10mm (tinted tan, green, blue, clear)
- Available as left and right hand opening

Sliding Companionway Hatch



Configurations

To quote, please provide the model number and cut-out size A and B

- Available in acrylic 12mm (tinted tan), or tempered glass 10mm (tinted tan, green, blue, clear)
- Quote will include the tracks



* **WARNING:** Cancer and Reproductive Harm - www.P65warnings.ca.gov - See page 158 to learn more about California Proposition 65

Presenting the craftsmanship and quality of Man Ship salon doors



SALON DOORS

Flush Salon Doors

- 316 Stainless Steel Formed For High Grade Strength And Corrosion Resistance
- Polished To A Mirror Finish
- Tempered Glass From 8 mm To 12 mm Depending On The Design
- Multiple Layout And Custom Configurations
- Trioving Locks And Latches From Norway. Designed To Withstand The Marine Elements.
- Weathertight
- Straight Or Angled Frames Available
- CA Prop 65*

Special Features

- Adjustable Door Rollers – Each door pane has 4 adjustable rollers at each corner. So when a boat flexes in the water compared to being on land in the shop, you will be able to make these types of critical adjustments to ensure a smooth operation.



- Safety Stop Mechanism – All of our doors have a safety stop mechanism of about 9.5". It is a manual latch which ensures the safety mechanism is always set. And when it's time to close the door, the user will naturally turn the handle which will lift the safety latch.

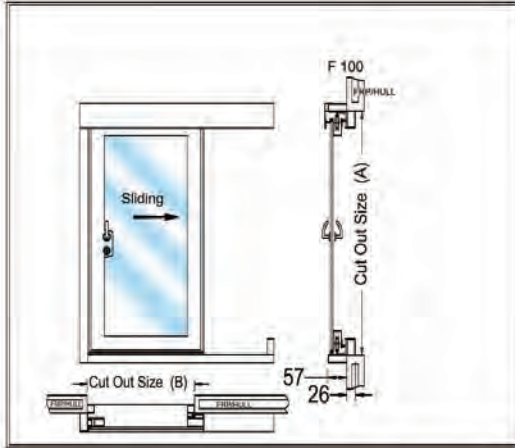


* WARNING: Cancer and Reproductive Harm - www.P65warnings.ca.gov - See page 158 to learn more about California Proposition 65

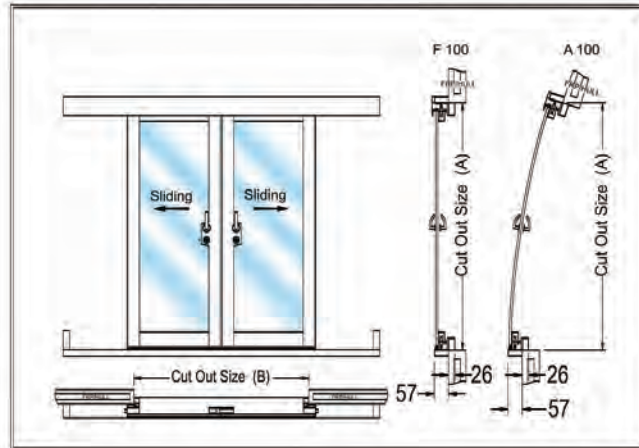
Configurations

To quote, please provide the model number and cut-out size A and B

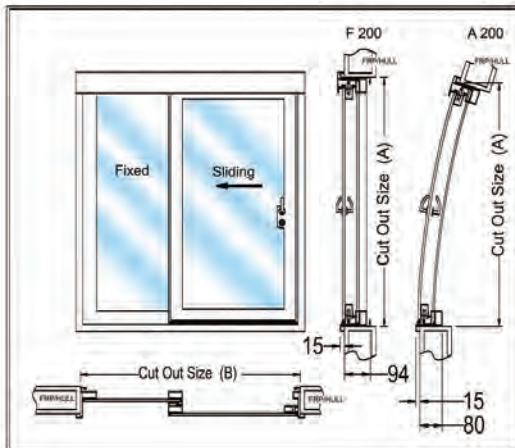
MODEL: F100 Single Sliding



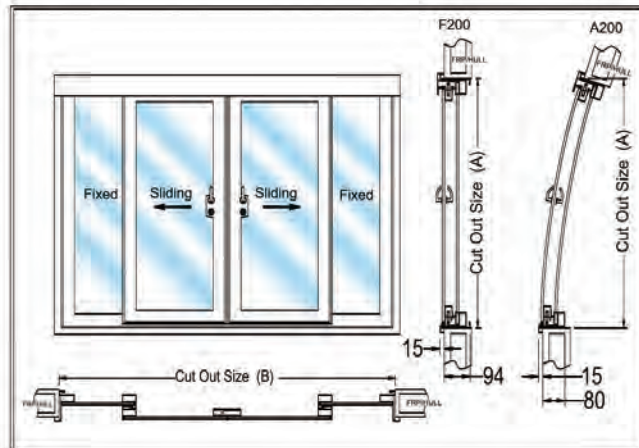
**MODEL: F100 Two Sliding
A100 Two Sliding**



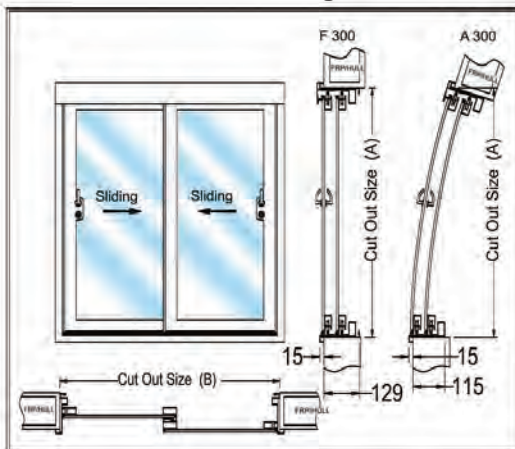
**MODEL: F200 One Fixed, One Sliding
A200 One Fixed, One Sliding**



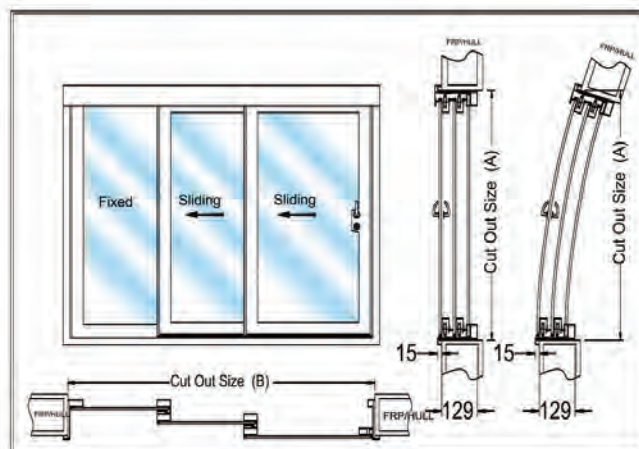
**MODEL: F200 Two Fixed, Two Sliding
A200 Two Fixed, Two Sliding**



**MODEL: F300 Two Sliding
A300 Two Sliding**



MODEL: F400 One Fixed, Two Sliding



⚠️ * WARNING: Cancer and Reproductive Harm - www.P65warnings.ca.gov - See page 158 to learn more about California Proposition 65

Curved Salon Doors

- 316 Stainless Steel Formed For High Grade Strength And Corrosion Resistance
- Polished To A Mirror Finish
- Tempered Glass From 8 mm To 12 mm Depending On The Design
- Multiple Layout And Custom Configurations
- Trioving Locks And Latches From Norway. Designed To Withstand The Marine Elements.
- Weathertight
- CA Prop 65*

Special Features

- Adjustable Door Rollers – Each door pane has 4 adjustable rollers at each corner. So when a boat flexes in the water compared to being on land in the shop, you will be able to make these types of critical adjustments to ensure a smooth operation.



- Safety Stop Mechanism – All of our doors have a safety stop mechanism of about 9.5". It is a manual latch which ensures the safety mechanism is always set. And when it's time to close the door, the user will naturally turn the handle which will lift the safety latch.

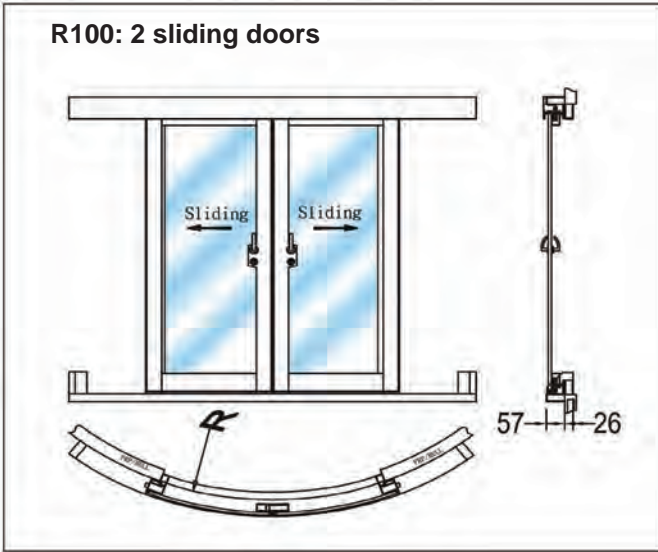


* **WARNING:** Cancer and Reproductive Harm - www.P65warnings.ca.gov - See page 158 to learn more about California Proposition 65

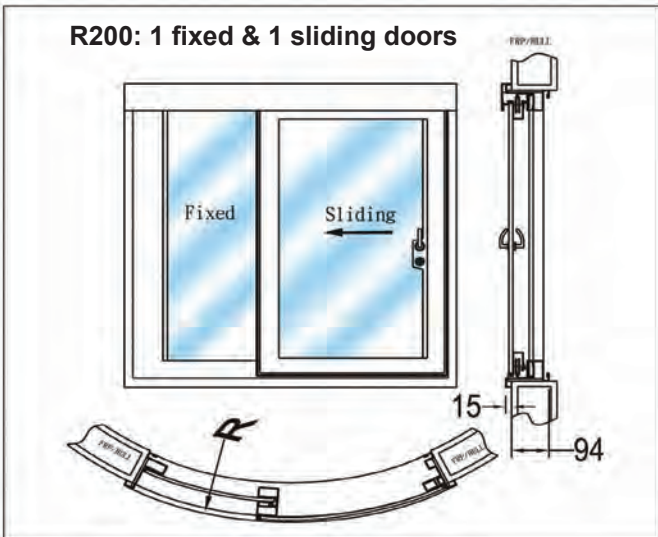
Configurations

To quote, please provide the model number and cut-out size A and B

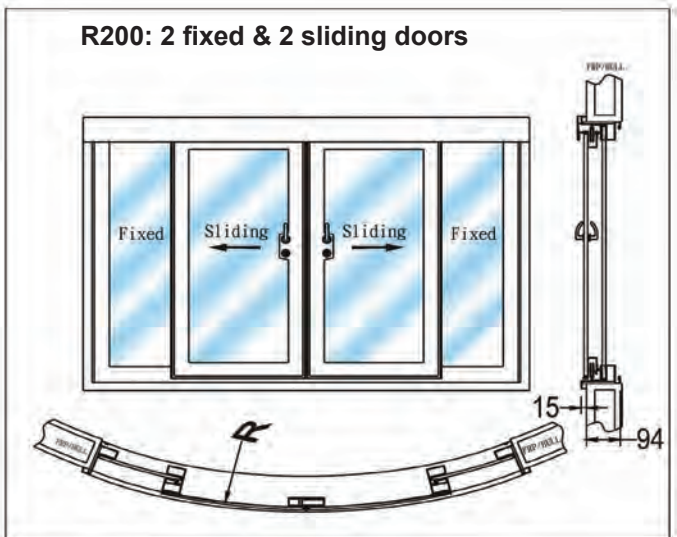
R100: 2 sliding doors



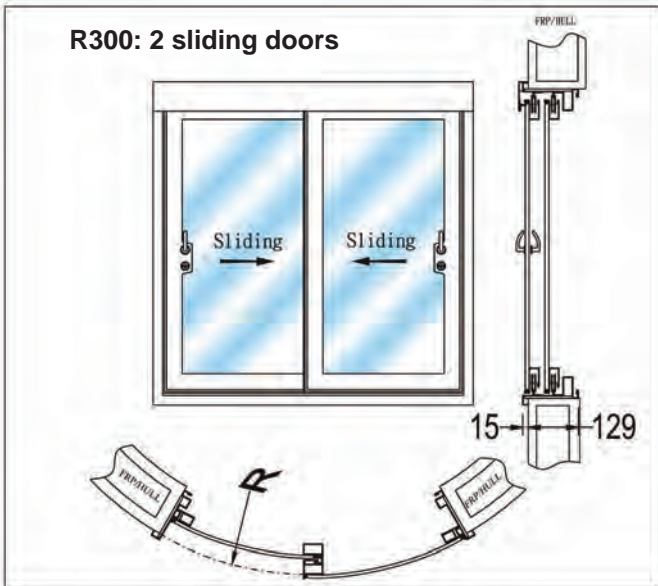
R200: 1 fixed & 1 sliding doors



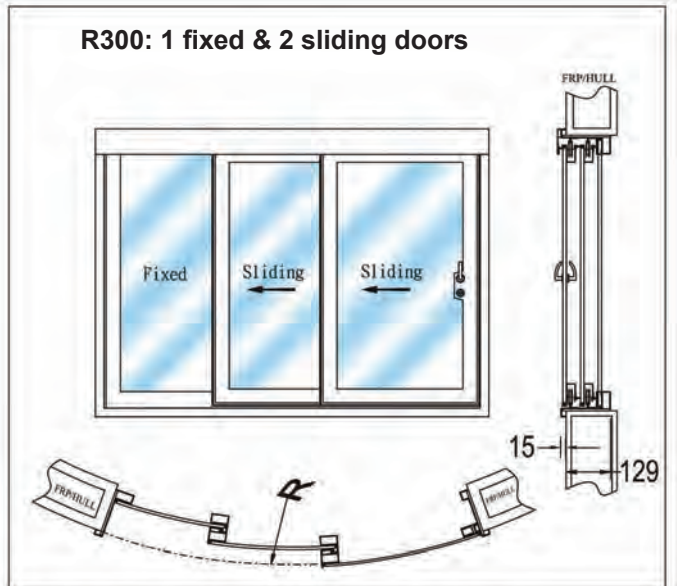
R200: 2 fixed & 2 sliding doors



R300: 2 sliding doors



R300: 1 fixed & 2 sliding doors



⚠ * WARNING: Cancer and Reproductive Harm - www.P65warnings.ca.gov - See page 158 to learn more about California Proposition 65

Swing Salon Doors and Windows

- 316 Stainless Steel Formed For High Grade Strength And Corrosion Resistance
- Polished To A Mirror Finish
- Tempered Glass From 8 mm To 12 mm Depending On The Design
- Multiple Layout And Custom Configurations
- Trioving Locks And Latches From Norway. Designed To Withstand The Marine Elements.
- Weathertight
- CA Prop 65*

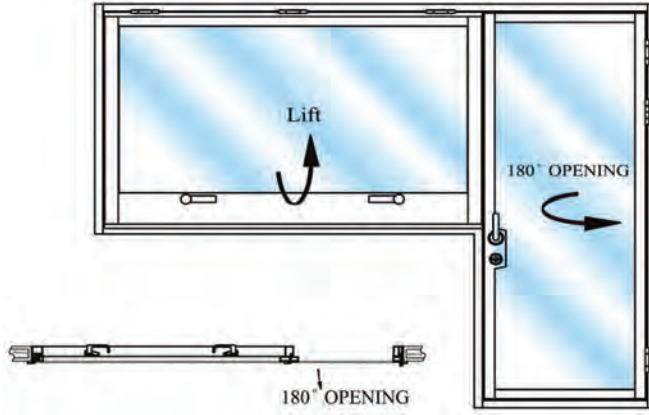


* **WARNING:** Cancer and Reproductive Harm - www.P65warnings.ca.gov - See page 158 to learn more about California Proposition 65

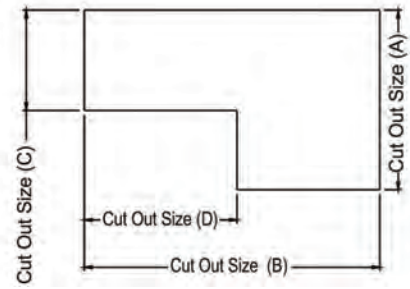
Configurations

To quote, please provide the model number and cut-out size A and B

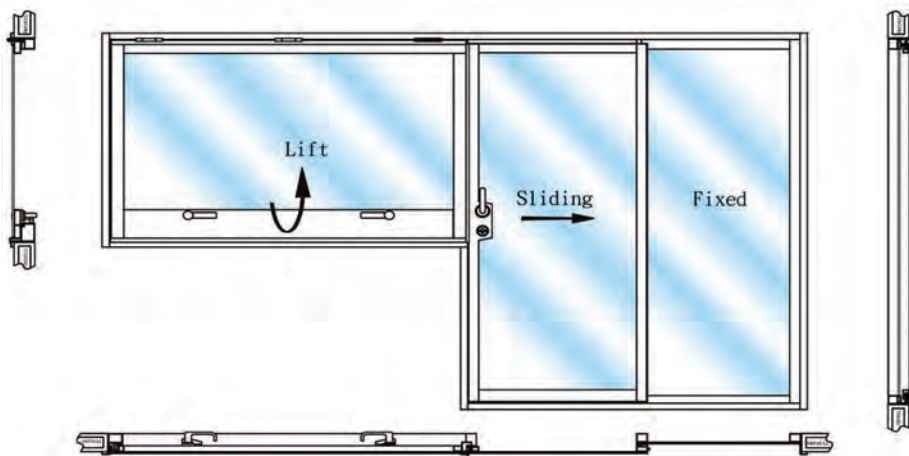
MODEL: OL100 Two Open



MODEL: SFL100OL100



MODEL: SFL100 One Open, One Sliding, One Fixed

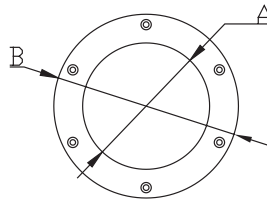


Bronze Round Trim Ring



- Sold by Each
- Bronze Cast
- CA Prop 65*

PART NO.	A	B	SCREW SIZE	FASTENER
1193B	4-1/2"	5-1/2"	1/4"	#8 FH
1197B	6-7/8"	8-1/8"	1/4"	#12 FH

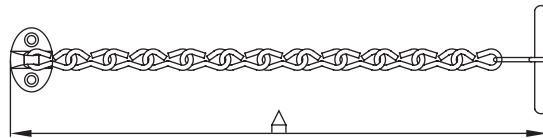


Portlight Chain with T-Bar



- Sold by Each
- 316 Stainless Steel Cast
- Fastener #6 FH
- CA Prop 65*

PART NO.	A	DESCRIPTION
8130S	8"	316 Stainless Steel T-Bar Portlight Chain



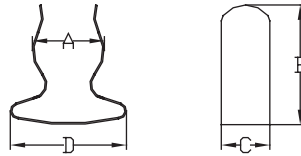
* **WARNING:** Cancer and Reproductive Harm - www.P65warnings.ca.gov - See page 158 to learn more about California Proposition 65

Boat Hook Clip



- Sold by Pair
- 304 Stainless Steel Stamped
- CA Prop 65*

PART NO.	A	B	C	D	FASTENER
2938SS	3/4" to 1"	1-11/16"	7/16"	1-3/8"	#6 PH
2939SS	1" to 1-1/4"	2-3/8"	3/4"	1-13/16"	#6 PH

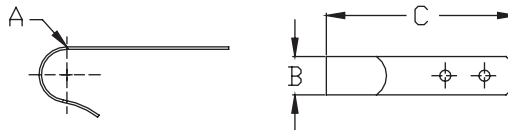


Boat Hook Bracket



- Sold by Pair
- 304 Stainless Steel Stamped
- Fastener: #12 FH
- CA Prop 65*

PART NO.	A	B	C
7715S	1"	1"	4"

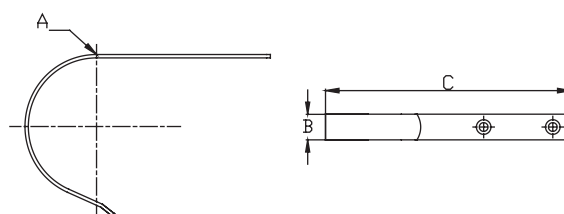


Ring Buoy Hook Bracket



- Sold by Each
- 304 Stainless Steel Stamped
- Fastener: #12 FH
- CA Prop 65*

PART NO.	A	B	C
7716S	4"	3/4"	7-3/16"



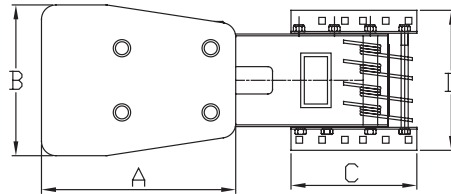
* WARNING: Cancer and Reproductive Harm - www.P65warnings.ca.gov - See page 158 to learn more about California Proposition 65

Outboard Motor Bracket



- Sold by Each
- 304 Stainless Steel Fabricated
- Always use a safety chain or cable to secure the motor
- CA Prop 65*

PART NO.	A	B	C	D	HP RATING	WEIGHT LIMIT
5100	10-3/8"	8-1/4"	8"	8-5/8"	To 20 HP	90 lbs.

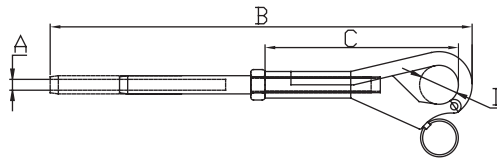


Lifeline Pelican Hook



- Sold by Each
- 316 Stainless Steel Cast
- CA Prop 65*

PART NO.	A	B	C	D	TYPE	THREAD
6420S	1/8"	4-27/32"	2-3/4"	1/2"	Machine Swage	1/4-28 RH
6421S	1/8"	4-27/32"	2-3/4"	1/2"	Hand Crimp	1/4-28RH
6422S	3/16"	5-27/32"	3-3/4"	9/16"	Machine Swage	5/16-24RH

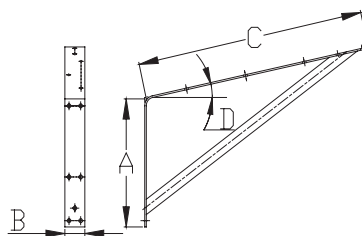


Swim Platform Mounting Bracket



- Sold by Each
- 304 Stainless Steel Stamped
- Fastener 1/4" FH
- CA Prop 65*

PART NO.	A	B	C	TUBE	D
7990S	6"	1-1/2"	12"	7/8"	12°
7991S	6"	1-1/2"	12"	7/8"	16°
7992S	9"	1-1/2"	17"	7/8"	12°
7993S	9"	1-1/2"	17"	7/8"	16°



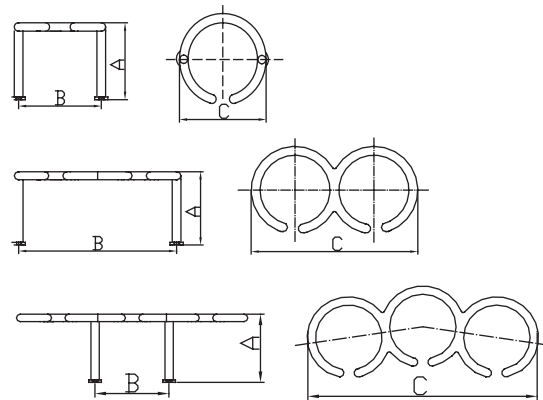
 * **WARNING:** Cancer and Reproductive Harm - www.P65warnings.ca.gov - See page 158 to learn more about California Proposition 65

Drink Holder

- Sold by Each
- 316 Stainless Steel Cast
- Fastener 1/4" 20
- Bottom Mounted
- CA Prop 65*



PART NO.	HOLDS	A	B	C
56220S	1 Cup	2-25/32"	3-27/32"	4-5/32"
56222S	2 Cups	2-25/32"	8"	8-1/8"
56224S	3 Cups	2-25/32"	4-1/4"	12-1/2"

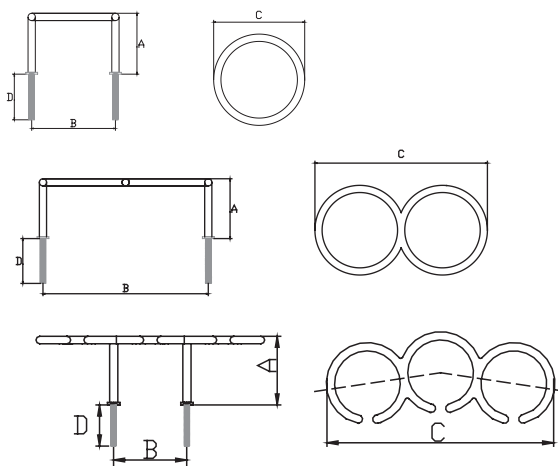


Studded Drink Holder

- Sold by Each
- 316 Stainless Steel Cast
- Fastener 1/4" Nut
- CA Prop 65*



PART NO.	HOLDS	A	B	C	D
56320S	1 Cup	2-3/4"	3-7/8"	4-5/32"	2-1/8"
56322S	2 Cups	2-3/4"	8-1/16"	8-3/8"	2-1/8"
56324S	3 Cups	2-3/4"	4-3/16"	12-1/4"	2-1/8"



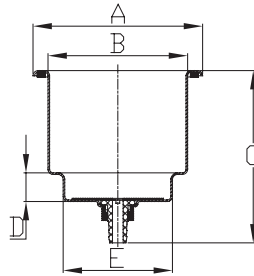
 * WARNING: Cancer and Reproductive Harm - www.P65warnings.ca.gov - See page 158 to learn more about California Proposition 65

Recessed Drink Holder, with Drain Fitting



- Sold by Each
- 304 Stainless Steel Drawn
- Flush Mounted
- Nylon Hose Barb for 3/8" Hose
- Self-Adhesive Gasket Under Rim
- CA Prop 65*

PART NO.	A	B	C	D	E
56228S	4-1/4"	3-1/2"	4-3/8"	5/8"	2-11/16"

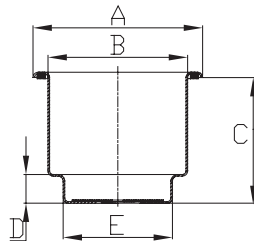


Recessed Drink Holder, Closed Bottom



- Sold by Each
- 304 Drawn Stainless Steel
- Flush Mount
- Closed, Black Foam Bottom
- Self-Adhesive Gasket Under Rim
- CA Prop 65*

PART NO.	A	B	C	D	E
56229S	4.-1/4"	3-1/2"	3-1/4"	5/8"	2-11/16"

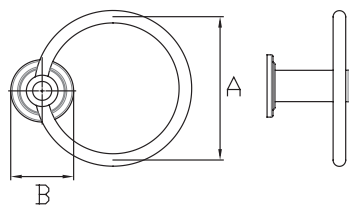


Towel Ring



- Sold by Each
- 304 Stainless Steel Stamped
- CA Prop 65*

PART NO.	A	B
8001S	6"	2-5/16"



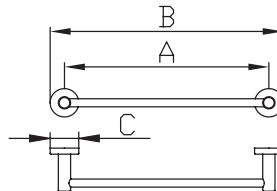
 * **WARNING:** Cancer and Reproductive Harm - www.P65warnings.ca.gov - See page 158 to learn more about California Proposition 65

Towel Bar



- Sold by Each
- 304 Stainless Steel Tubing
- CA Prop 65*

PART NO.	A	B	C
8005S	18"	19-11/16"	2"

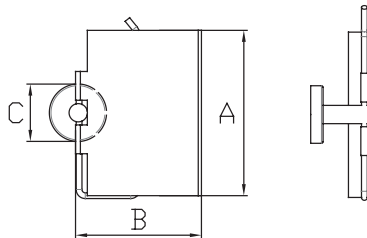


Toilet Paper Holder with Cover



- Sold by Each
- 304 Stainless Steel Stamped
- CA Prop 65*

PART NO.	A	B	C
8003S	4-5/8"	4-3/16"	2-1/8"

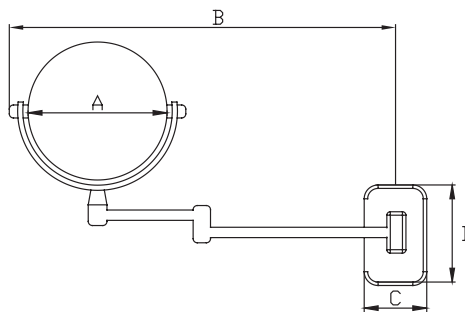


Wall Mounted Vanity Mirror



- Sold by Each
- Chrome-Plated Brass
- CA Prop 65*

PART NO.	A	B	C	D
8004BC	8"	11-7/8"	2"	4-3/4"



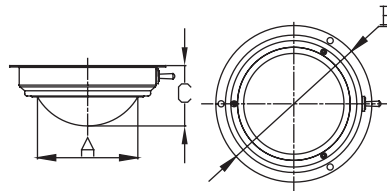
 * WARNING: Cancer and Reproductive Harm - www.P65warnings.ca.gov - See page 158 to learn more about California Proposition 65

Incandescent Dome Light



- Sold by Each
- 304 Stainless Steel Stamped Frame
- Fastener #6 RH
- 12V 15W
- CA Prop 65*

PART NO.	A	B	C
2126S	3-7/8"	5-1/2"	2"
2124S	4-5/8"	6-7/8"	2-5/16"

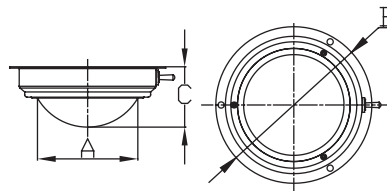


Incandescent Day/Night Dome Light



- Sold by Each
- 304 Stainless Steel Stamped Frame
- Fastener #6 RH
- 12V 15W
- Clear and Red Bulb
- CA Prop 65*

PART NO.	A	B	C
2124SD	4-5/8"	6-7/8"	2-5/16"



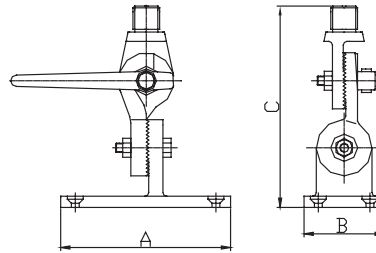
 * **WARNING:** Cancer and Reproductive Harm - www.P65warnings.ca.gov - See page 158 to learn more about California Proposition 65

Heavy Duty Ratchet Antenna Mount



- Sold by Each
- 316 Stainless Steel Cast
- Fastener 1/4" FH
- Standard 1"-14 Male Thread
- Through-Hole for VHF or GPS Cable
- CA Prop 65*

PART NO.	A	B	C
6520S	3-3/4"	2-1/4"	6"

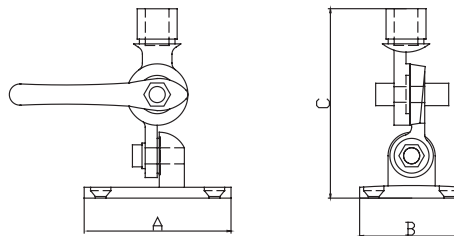


Ratchet Antenna Mount

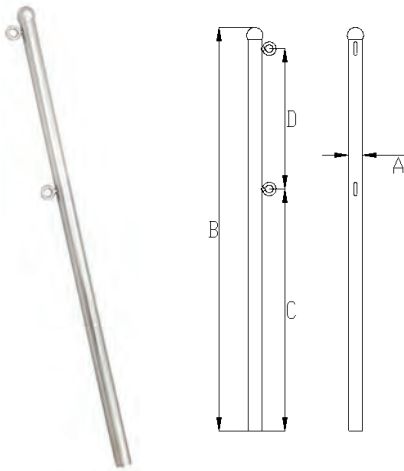


- Sold by Each
- 316 Stainless Steel Cast
- Standard 1"-14 Male Thread
- Fastener 1/4" FH
- CA Prop 65*

PART NO.	A	B	C
6508S	3-5/8"	2-9/16"	4-1/2"



Flag Pole



- Sold by Each
- 304 Stainless Steel Tubing
- CA Prop 65*

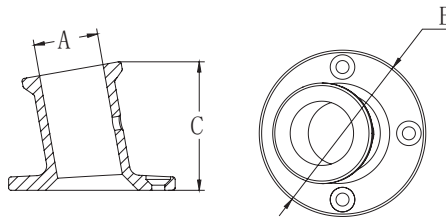
PART NO.	A	B	C	D
6144S	1"	30"	16.43"	12"

Top Mount Flag Pole Holder



- Sold by Each
- 316 Stainless Steel Cast
- No drain hole
- Has 2 drainage slots
- CA Prop 65*

PART NO.	A	B	C	ANGLE	DRAINAGE
6141S	1"	2-5/8"	2"	15°	Yes
6140S	1-1/4"	2-3/4"	2-1/2"	15°	Yes

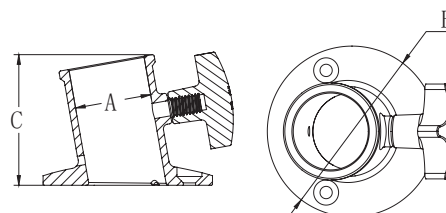


Top Mount Flag Pole Holder with Knob



- Sold by Each
- 316 Stainless Steel Cast
- Has 2 drainage slots
- CA Prop 65*

PART NO.	A	B	C	ANGLE	DRAINAGE
6147S	1-1/4"	2-13/16"	2-1/4"	15°	Yes



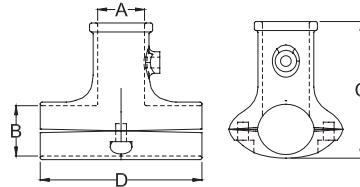
* **WARNING:** Cancer and Reproductive Harm - www.P65warnings.ca.gov - See page 158 to learn more about California Proposition 65

Rail Mounted Flag Pole Holder



- Sold by Each
- 316 Stainless Steel Cast
- CA Prop 65*

PART NO.	A	B	C	D
6149S	1"	7/8" ~ 1"	3"	3"
6150S	1"	1-1/8" ~ 1-1/4"	3"	3-7/16"

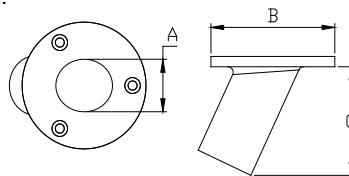


Flush Flag Pole Holder, 25 Deg



- Sold by Each
- 316 Stainless Steel Cast
- No Drain Hole
- CA Prop 65*

PART NO.	A	B	C	ANGLE	DRAINAGE
6143S	1"	2-3/4"	2-1/4"	25°	No

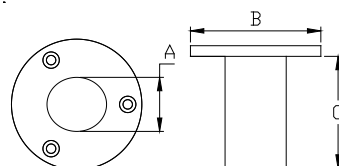


Flush Flag Pole Holder, 90 Deg



- Sold by EA
- 316 Stainless Steel Cast
- Has 1/8" Drain Hole
- CA Prop 65*

PART NO.	A	B	C	ANGLE	DRAINAGE
6145S	3/4"	1-5/8"	2-1/4"	90°	1/8"

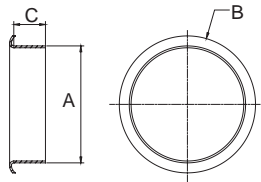


Trim Rings



- Sold by Each
- 316 Stainless Steel Cast
- CA Prop 65*

PART NO.	A	B	C
7780S	1.98"	2.32"	0.54"
7781S	2.45"	2.86"	0.69"

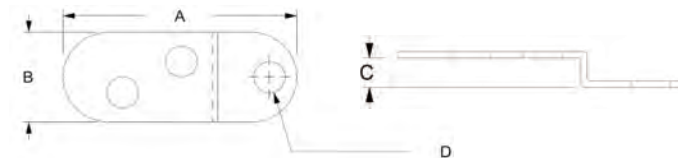


Upholstery Clips



- Sold by Each
- 316 Stainless Steel Fabricated
- CA Prop 65*

PART NO.	A	B	C	D
50300S-316	2.01"	0.76"	0.03"	#8

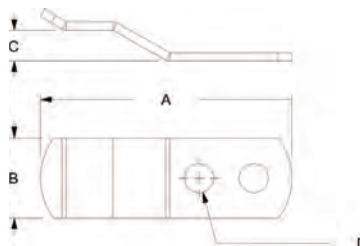


Upholstery Clips



- Sold by Each
- 316 Stainless Steel Fabricated
- CA Prop 65*

PART NO.	A	B	C	D
50301S-316	2.46"	0.63"	0.51"	1/4"
50302S-316	2.28"	0.75"	0.27"	1/4"
50303S-316	2.40"	0.75"	0.41"	#10
50304S-316	2.39"	0.76"	0.47"	#10



* **WARNING:** Cancer and Reproductive Harm - www.P65warnings.ca.gov - See page 158 to learn more about California Proposition 65

Part No. Page No.

208	114
01232SPE	76
02321S	43
02322S	43
02323S	43
02341S	44
02342S	44
02343S	44
02926S	44
02927S	44
07435ES	72
1193B	145
1197B	145
1210U	11
1350KY	91
1350SK-W/6361S	90
1360SK-W/6362S	90
1450SK-W/6361S	90
1460SK-W/6362S	90
2030HS-L	73
2030HS-R	73
2034HS-L	73
2034HS-R	73
209-1730	114
209-1990	114
209-2440	114
2124S	151
2124SD	151
2126S	151
2400SS	74
2406SS	74
2420SS	74
2421SS	74
2600S	75
2938SS	146
2939SS	146
50300S-316	155
50301S-316	155
50302S-316	155
50303S-316	155
50304S-316	155
50724S	34
50730S	34
50732S	34
50733S	34
5100	147
53071S	37
53072S	37
53073S	37
53300SL	7
53301SS	7
53303AL	8
53304AL	8
53308S-W	7
53314S	5
53315S	5
53316S	5
53317S	5
53320S	4

Part No. Page No.

53320SC	4
53321S	4
53321SC	4
53322S	4
53322SC	4
53331AL	4
54182	102
54183	102
54184	102
54186	102
54191	103
54191S	103
54192	103
54192S	103
54193	103
54193S	103
54194	103
54194S	103
54195	103
54196	103
54197	103
54198	103
54199	103
56090T	50
56090T-LE	50
56090T-LT	50
56093P	50
56094P	50
56095P	50
56097E	51
56097T	51
56098R	51
56098W	51
56105S	51
56105SPE	51
56106S	51
56107S	51
56110AP	52
56111AP	52
56135SP	5
56135SP00	5
56135SP15	5
56136SP	6
56136SPC	6
56220S	148
56222S	148
56224S	148
56228S	149
56229S	149
56320S	148
56322S	148
56324S	148
57738S	6
57738SR	6
57739S	6
57739S00	6
57739SR	6
58700B	47
58701B	47

Part No. Page No.

58703B	47
58704B	47
58706B	47
58707B	47
58824B	92
58825B	92
6002S	93
6002SEU	93
6002SEU-FT	95
6004S	93
6004SEU	93
6004SEU-FT	95
6004SEU-FT-VA	94
6004SEU-FT-VS	94
6005-30S	93
6005S	93
6005S-ACV	95
6005SEU	93
6005SEU-FT	95
6005SEU-FT-VA	94
6005SEU-FT-VS	94
6006-30S	93
6006S	93
6006S-ACV	95
6006SEU	93
6006SEU-FT	95
6007-30S	93
6007S	93
6007SEU	93
6007SEU-FT	95
6008S	93
6008SEU	93
6008SEU-FT	95
6009S	95
6009S-FT15	95
6009S-FT20	95
6009SK	95
6009SPE	95
6009SPE-RING	95
6009S-RING	95
6015S	57
6016S	57
6017SL	57
6017SR	57
6018S	58
6020S	58
6021S	35
6025S	35
6026S	35
6027S	35
6028S	35
6030S	35
6030SPE	36
6032S	35
6032SPE	36
6034S	35
6036S	35
6037S	36
6038S	36

Part No.	Page No.
6039S	36
6040S	36
6044S	36
6046S	36
6048S	36
6050S	39
6052SH	39
6054	39
6055S	37
6055S-PLT	37
6056S	37
6056S-PLT	37
6057S	37
6058S	37
6058S-PLT	37
6060S	39
6062S	39
6064S	39
6064SPE	62
6070S	39
6072SP	39
6074S	39
6080S	62
6082S	62
6084S	62
6090S	78
6090S-N	79
6092S	79
6094S	80
6100S	65
6104S	63
6106S	63
6107S	64
6108S	64
6110S	64
6112S-L	72
6112S-R	72
61131S	67
61137S	67
61137SR	67
61141S	68
61142S	68
61143S	70
6114S	68
61150S	66
61152S	66
6115S	66
6116S	68
6117CS	69
6117S	69
6117SR	69
6118S	69
6118SR	69
6118SRH	70
6119S	70
6120S	71
6121S	71
6122S	71
6126S	65

Part No.	Page No.
6140S	153
6141S	153
6143S	154
6144S	153
6145S	154
6147S	153
6149S	154
6150S	154
6200S	13
6202S	13
6204S	13
6206S	14
6208S	14
6214S	14
6231S	40
6231S-L	40
6322S	40
6324S	40
6330S	43
6332S	43
6334S	43
6340S	44
6342S	44
6344S	44
6361S	91
6361SD	91
6362S	91
6362SD	91
6420S	147
6421S	147
6422S	147
6500S	76
6508S	152
6520S	152
6539S	79
6541S	78
6564S	92
6566S	92
6598S	75
6599S	75
6600S	96
6600SCAP	96
6601S	96
6601SCAP	97
6602S	96
6602SCAP	97
6603S	96
6603SCAP	97
6604SCAP	97
6605S	97
6650N	99
6650S2	99
6650S-L2	98
6651N	99
6651N-90	100
6651S2	99
6651S-L2	98
6652N	99
6652S2	99

Part No.	Page No.
6652S-L2	98
6653N	99
6653N2-90	100
6653N-90	100
6653S2	99
6653S-L2	98
6653S-TH	98
6654N	99
6654S2	99
6654S-L2	98
6655N	99
6655N-90	100
6655N-90-SCP	101
6655N-L4	101
6655S2	99
6655S-L2	98
6656N15	100
6656N15-SCP	100
6656N-SCP	101
6657N-SCP	101
6800S	45
6802S	45
6802SH	45
6804SH	45
6810SEU	45
6811SEU	45
6812SEU	46
6814SEU	46
6815SEU	46
6816SEU	46
6818SEU	45
6819SEU	46
6820S	46
6821S	46
6822S	46
6825S	48
6828S	48
6830S	48
6830S-PIN	48
6832S	49
6834S	49
6838S	49
6839S	50
6840S	53
6841S	53
6842S	53
6843S	53
6845S	53
6846S	53
6847S	53
6848S	53
6849S	53
6850S	53
6851S	53
6852S	53
6853S	53
6855S	53
6856S	53
6857S	53

Part No. Page No.

6858S	53
6859S	53
6860S	56
6860S-P	56
6860S-S	56
6861S	56
6861S-P	56
6861S-S	56
6862S	56
6865S	56
6866S	56
6867S	56
6870S	54
6871S	54
6872S	54
6872SH	55
6873S	54
6873SH	55
6874S	54
6876S	54
6877S	54
6878S	55
6879S	55
6880S	54
6895S	55
6896S	55
6897S	58
70250	61
7100-01-DK	75
7100-07	82
7100-08	82
7100G	82
7100S	82
7111S	83
7111SLK	83
7112S	83
7112SLK	83
7116S	83
7122	126
7122-B	126
7122-C	126
7122-LE	126
7122-LOLR	126
7122-LS	126
7124	124
7125	124
7126	124
7128	125
7130	125
7132S	84
7132SLK	84
7134S	84
7154S	85
7154SLK	85
7155S	85
7155S-45	85
7155SLK	85
7176S	86
7176S-158	86

Part No. Page No.

7177S	86
7177SLK	86
7180S	86
7181S	86
7185S	85
7202PC	88
7300G	82
7300SA	82
7300SCK	89
7300SP	82
7301SCK	89
7308	88
7319SRK	87
7320SRK	87
7327NT	87
7328NT	87
7329NT	87
7400PC	88
7401PC	88
7402BFC	88
7402PC10	88
7403BFC	88
7403PC	88
7405PC	88
7406-PC	89
7406-SPC	89
7406-SPE	89
7408BFC	88
7550U	11
7551U-B	11
7557U	11
7557U-A	11
7558U	11
7560U	11
7564U	11
7565S	15
7566S	15
7568S	15
7570S	98
7571S-TWC	98
7573S-TWC	98
7574S	98
7580CSE	97
7581CSE	97
7711ES	63
7712ES	73
7713ES	73
7715S	146
7716S	146
7719ES	64
7720ES	67
7721ES	72
7721S	92
7722ES	63
7722S	92
7723ES	65
7723S	92
7723SV	92
7724ES	65

Part No. Page No.

7725ES	65
7727ES	71
7728ES	71
7728S	105
7729ES	71
7731ES	66
7731SR	33
7732SR	33
7734SR	33
7736SR	33
7750S	76
7751S	76
7767S	42
7767SPE	42
7768S	42
7769S	42
7772S	42
7780S	155
7781S	155
7846S-B	41
7848S-B	41
7848S-S	41
7848S-WB	42
7850S-B	41
7850S-S	41
7852S-B	41
7852S-S	41
7854S-B	41
7856S-B	41
7858S-B	41
7861S-S	41
7863S-B	41
7864S-B	41
7864S-S	41
7867S-S	41
7870S	59
7872S	59
7873S	59
7875S	59
7878S	59
78810S	60
78813S	60
78815S	60
78818S	60
78819S	60
7882S	59
7884S	59
7886S	59
7888S	59
7889S	59
7892S	60
7892SPE	60
7895S	60
7895SPE	60
7899S	60
7899SPE	60
7904S	59
7920S	61
7952S	61

Part No.	Page No.	Part No.	Page No.	Part No.	Page No.
7990S	147	AM1504MB-316	29	B00351CHA	19
7991S	147	AM1504PL	29	B00351PL-ERL	22
7992S	147	AMB1	32	B00351PL-WS	22
7993S	147	AMB10	30	B00351R	20
7995S	81	AMB2	32	B00351R-8	20
7996S	81	AMB2-BA	32	B00351RBW	23
8001S	149	AMB7	30	B00351UPM	26
8003S	150	AMB8	30	B00351USL	25
8004BC	150	AMB9	30	B00351USL-316	25
8005S	150	AM-CLIP1	33	B00351WH	18
8070S	104	AM-CLIP125	33	B00351WWD	21
8074B	102	AM-CLIP15	33	B00355MHD-316	16
8074BP	102	AM-CLIP16	33	B00355R	20
8074S	102	AM-SB050	30	B00355RBW	23
8074SP	102	AM-SB125	30	B00361	24
8076S	102	AMSB138	30	B00361-L9	24
8078S	102	AR7550S	9	B00363	23
8079S	102	AR7552S	9	B00364	23
8088S	78	AR7557S	9	B00365	24
8130S	145	AR7561S	10	B00367	24
8180B	77	ARCS-01	11	BFLS-0512-GS	121
8301S	104	ARSST-01	9	BFLS-0714-GS	121
8306N	105	ARSW-02	9	BFLS-0716-GS	121
A100	140	ARSW-03	9	BFLS-0718-GS	121
A200	140	ARSW-04	11	BFLS-0816-GS	121
A300	140	ARSW-05	11	BFLS-0818-GS	121
AFLS-0512-GS	121	ARSW-06	11	BFLS-1020-GS	121
AFLS-0714-GS	121	ARWC-01	10	BFLS-1024-GS	121
AFLS-0716-GS	121	ARWC-01HP	10	BFLS-1224-GS	121
AFLS-0718-GS	121	ARWU-03	10	BFLS-1228-GS	121
AFLS-0816-GS	121	ARWU-04	10	BFLSO-0512-GS	122
AFLS-0818-GS	121	AS7510S	12	BFLSO-0714-GS	122
AFLS-1020-GS	121	AS7520S	12	BFLSO-0716-GS	122
AFLS-1024-GS	121	B00300-LRTS	22	BFLSO-0718-GS	122
AFLS-1224-GS	121	B00300-RS	34	BFLSO-0816-GS	122
AFLS-1228-GS	121	B00301CHA	19	BFLSO-0818-GS	122
AFLSO-0512-GS	122	B00301MBN	16	BFLSO-1020-GS	122
AFLSO-0714-GS	122	B00301NRW	19	BFLSO-1024-GS	122
AFLSO-0716-GS	122	B00301R	20	BFLSO-1224-GS	122
AFLSO-0718-GS	122	B00301RFG	17	BFLSO-1228-GS	122
AFLSO-0816-GS	122	B00301RG	17	EE-0718-GH	130
AFLSO-0818-GS	122	B00301SLT	18	EO-0512-GH	130
AFLSO-1020-GS	122	B00301UFG	27	EO-0614-GH	130
AFLSO-1024-GS	122	B00301UHK	25	EO-0714-GH	130
AFLSO-1224-GS	122	B00301UHK-316	25	EO-0716-GH	130
AFLSO-1228-GS	122	B00301UHK-WH	26	EO-0718-GH	130
AFLSR-05-GS	122	B00301UPM	26	EO-0816-GH	130
AFLSR-06-GS	122	B00301USL	25	EO-0818-GH	130
AFLSR-07-GS	122	B00301USL-316	25	ER-05-GH	129
AFLSR-08-GS	122	B00301WH	18	ER-06-GH	129
AFLSR-10-GS	122	B00311R	20	ER-07-GH	129
AFLSR-12-GS	122	B00311USL	25	ER-08-GH	129
AFLSR-14-GS	122	B00311USL-316	25	F100	140
AM1303R	31	B00330	27	F200	140
AM1303S	31	B00330-BKT	27	F300	140
AM1303T	32	B00331	27	F400	140
AM1303UPM-316	28	B00331-BKT	27	FDHA-15-I	116
AM1304R	31	B00351BBD	21	FDHA-15-O	116
AM1304T	32	B00351BGR	20	FDHA-17-I	116

Part No. Page No.

FDHA-17-O	116
FDHA-20-I	116
FDHA-20-O	116
FDHA-24-I	116
FDHA-24-O	116
FE-0718-GH	132
FO-0512-GH	132
FO-0614-GH	132
FO-0714-GH	132
FO-0716-GH	132
FO-0718-GH	132
FO-0816-GH	132
FO-0818-GH	132
FR-05-GH	131
FR-06-GH	131
FR-07-GH	131
FR-08-GH	131
H101-DH	113
H101L-DH	113
H102	113
H103	113
H104L-LDH	113
H104S-DH	113
H105L	113
H105L-SS	113
H105R	113
H105R-SS	113
H106	113
H107	113
H109	113
H201-DH	113
H201-LDH	113
H202	113
H203	113
H204-1	113
H204L-LDH	113
H204S-DH	113
H205L	113
H205L-SS	113
H205R	113
H205R-SS	113
H209	113
H301L	114
H301R	114
H302R	114
H303R	114
HSPU-B	105
HSPU-C	105
LDH-08-I	108
LDH-10-I	108
LDH-20-I	108
LDH-30-I	108
LDH-30-O	108
LDH-40-I	108
LDH-40-O	108
LDH-50-D	108
LDH-50-I	108
LDH-50-O	108
LDH-60-D	108

Part No. Page No.

LDH-60-I	108
LDH-60-O	108
LDH-70-D	108
LDH-70-I	108
LDH-70-O	108
LDH-N08-I	110
LDH-N08-O	110
LDH-N10-I	110
LDH-N10-O	110
LDH-N20-I	110
LDH-N20-O	110
LDH-N30-I	110
LDH-N30-O	110
LDH-N40-I	110
LDH-N40-O	110
LDH-N50-I	110
LDH-N50-O	110
LDH-N60-I	110
LDH-N60-O	110
LDH-N70-I	110
LDH-N70-O	110
LDHR-40-I	111
LDHR-40-O	111
LDHR-50-I	111
LDHR-50-O	111
LDHR-60-I	111
LDHR-60-O	111
LDHR-70-I	111
LDHR-70-O	111
LDHS-50-I	111
LDHS-50-O	111
LDHS-60-I	111
LDHS-60-O	111
LE-0718-GH	128
LO-0512-GH	128
LO-0614-GH	128
LO-0714-GH	128
LO-0716-GH	128
LO-0718-GH	128
LO-0816-GH	128
LO-0818-GH	128
LR-05-GH	127
LR-06-GH	127
LR-07-GH	127
LR-08-GH	127
LS-0512-GA	119
LS-0714-GA	119
LS-0716-GA	119
LS-0718-GA	119
LS-0816-GA	119
LS-0818-GA	119
LS-1020-GA	119
LS-1024-GA	119
LS-1224-GA	119
LS-1228-GA	119
LSO-0512-GA	120
LSO-0512-GS	120
LSO-0714-GA	120
LSO-0714-GS	120

Part No. Page No.

LSO-0716-GA	120
LSO-0716-GS	120
LSO-0718-GA	120
LSO-0718-GS	120
LSO-0816-GA	120
LSO-0816-GS	120
LSO-0818-GA	120
LSO-0818-GS	120
LSO-1020-GA	120
LSO-1020-GS	120
LSO-1024-GA	120
LSO-1024-GS	120
LSO-1224-GA	120
LSO-1224-GS	120
LSO-1228-GA	120
LSO-1228-GS	120
LSR-07-GS	118
LSR-08-GS	118
LSR-10-GS	118
LSR-12-GS	118
LSR-14-GS	118
OL100	144
P001	126
P002	126
R100	142
R200	142
R300	142
SFL100	144
SFL100OL100	144

CALIFORNIA PROPOSITION 65 OVERVIEW

What is Proposition 65?

Proposition 65 requires businesses to provide warnings to Californians about significant exposures to chemicals that cause cancer, birth defects or other reproductive harm. This enables Californians to make informed decisions about their exposures to these chemicals.

Proposition 65 requires California to publish a list of chemicals known to cause cancer, birth defects or other reproductive harm. This list, which must be updated at least once a year, has grown to include approximately 900 chemicals since it was first published in 1987.

What does the warning look like?

 **WARNING:** Cancer and Reproductive Harm - www.P65warnings.ca.gov

What does a warning mean?

The product number associated with the warning could expose individuals to one or more of the chemicals on the list.

How do I learn more about Proposition 65?

Visit this website to learn more about Proposition 65.

<https://www.p65warnings.ca.gov/>

Where do I find answers related to businesses?

https://www.p65warnings.ca.gov/sites/default/files/art_6_business_qa.pdf



WHITE WATER

MARINE HARDWARE

Innovative Product Design and Manufacturing for Over 40 Years

West Coast

14716 Central Ave.
Chino, CA 91710
Tel: 909-393-6100
west@whitewatermh.com

East Coast

13663 Automobile Blvd.
Clearwater, FL 33762
Tel: 727-572-8871
east@whitewatermh.com

www.whitewatermh.com
2024

MEMBER OF

