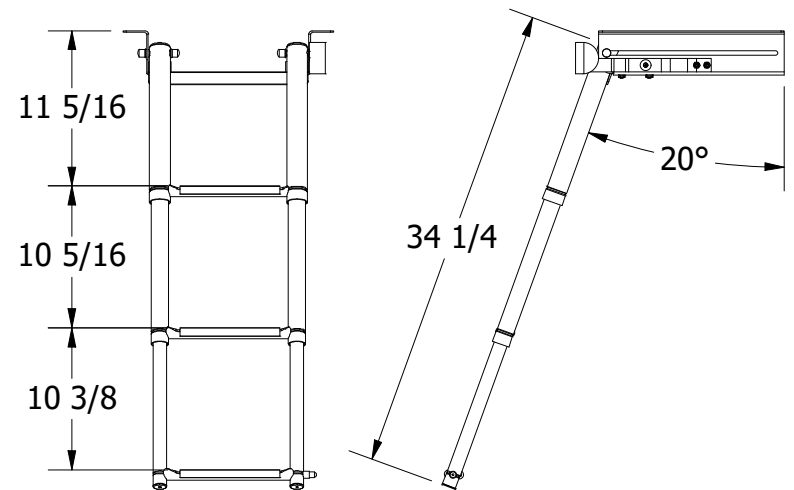
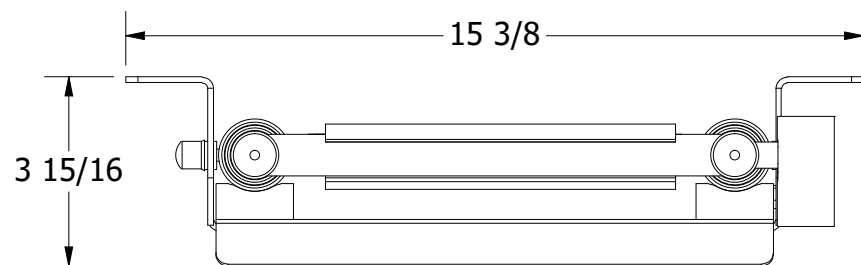
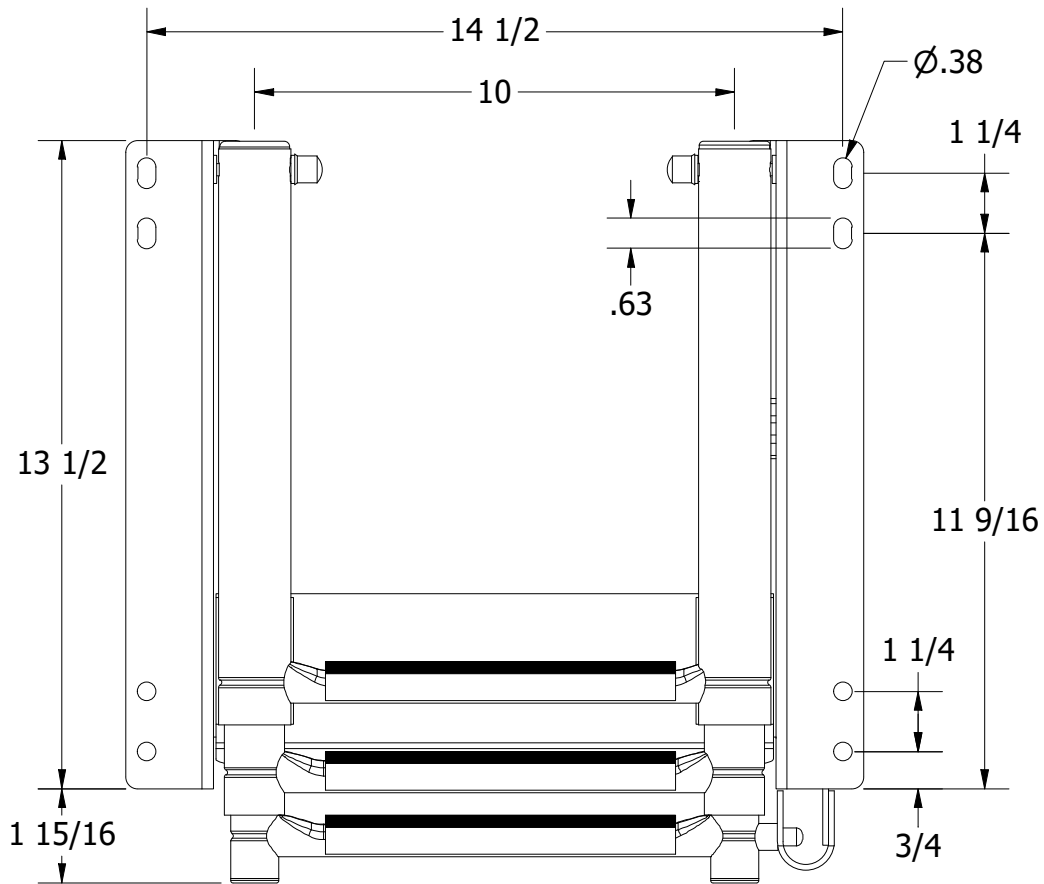


REVISION HISTORY		
REV	DESCRIPTION	DATE
1	ADD 1/4" RADIUS ECN1014	7/26/24



DEPLOYED VIEW
SCALE 1 : 14



WHITE WATER
MARINE HARDWARE

TITLE
316SS WIDE MOUNT UNDER PLATFORM LADDER
PART NUMBER: B00301USL-WH-316 (RD196)

PROPRIETARY AND CONFIDENTIAL
THE INFORMATION CONTAINED IN THIS
DRAWING IS THE SOLE PROPERTY OF WHITE
WATER MARINE HARDWARE. ANY REPRODUCTION
IN PART OR AS A WHOLE WITHOUT WRITTEN
PERMISSION IS PROHIBITED.

SIZE A	DRAWING NO. WWMH-B00301USL-WH-316	REV 1
SCALE 1 : 4	DRAWN KSR	DATE 5/28/2024
		SHEET 1 OF 1