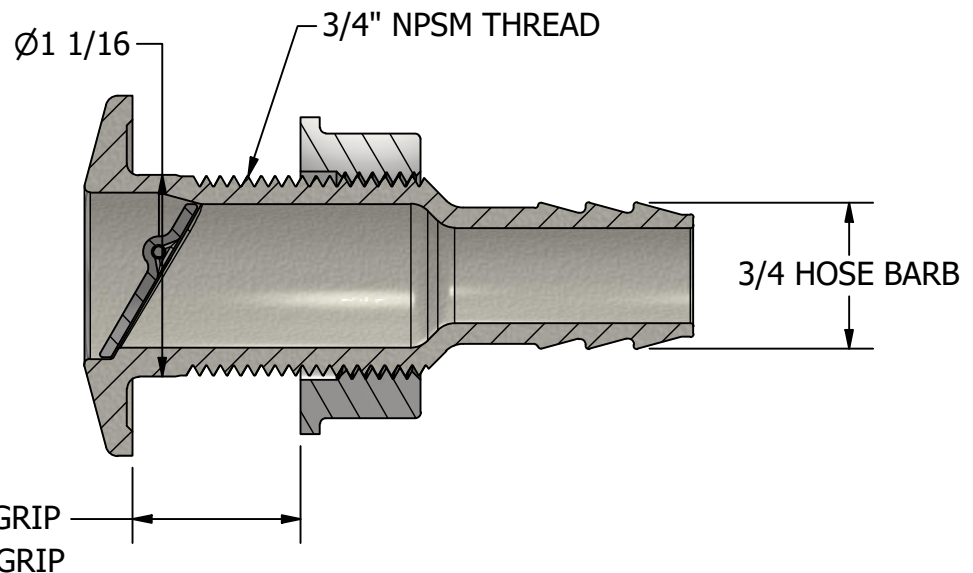
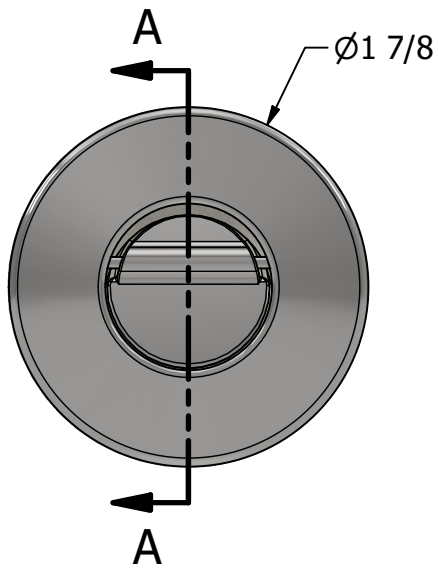
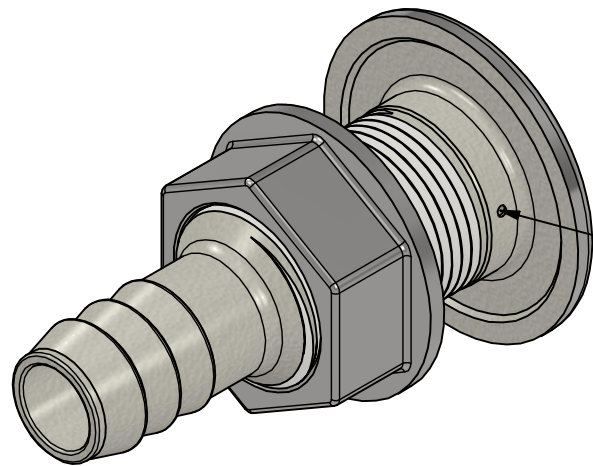


REVISION HISTORY		
REV	DESCRIPTION	DATE
1	THICKEN NUT WITH RELIEF, 1/8" MINIMUM GRIP WAS 3/16" ECN1022	9/17/24
2	REDUCE EXTERNAL THREAD LENGTH, INCREASE RELIEF IN NUT ECN1023	9/25/24



SECTION A-A



DOOR HINGE PIN
WELD SOLID, NO LEAKS
BOTH SIDES



WHITE WATER
MARINE HARDWARE

TITLE
316SS THRU HULL WITH SCUPPER, 3/4"
PART NUMBER: 6651S-SCP

PROPRIETARY AND CONFIDENTIAL
THE INFORMATION CONTAINED IN THIS DRAWING IS THE SOLE PROPERTY OF WHITE WATER MARINE HARDWARE. ANY REPRODUCTION IN PART OR AS A WHOLE WITHOUT WRITTEN PERMISSION IS PROHIBITED.

SIZE A	DRAWING NO. WWMH-6651S-SCP	REV 2
SCALE 1 : 1	DRAWN KSR	DATE 5/28/2024
		SHEET 1 OF 1