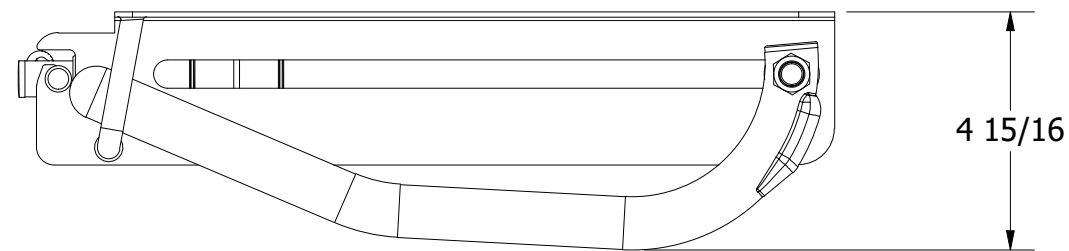
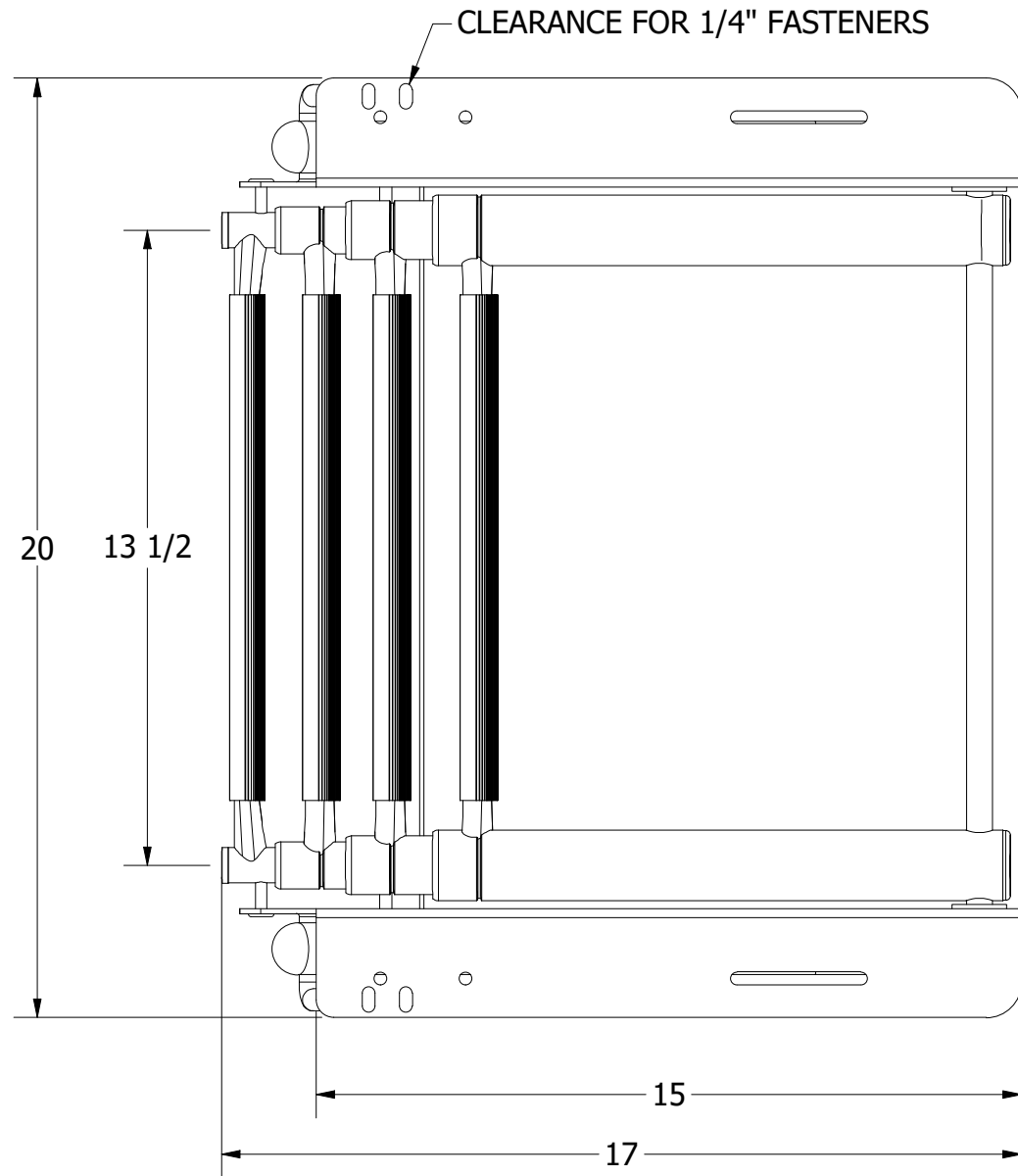
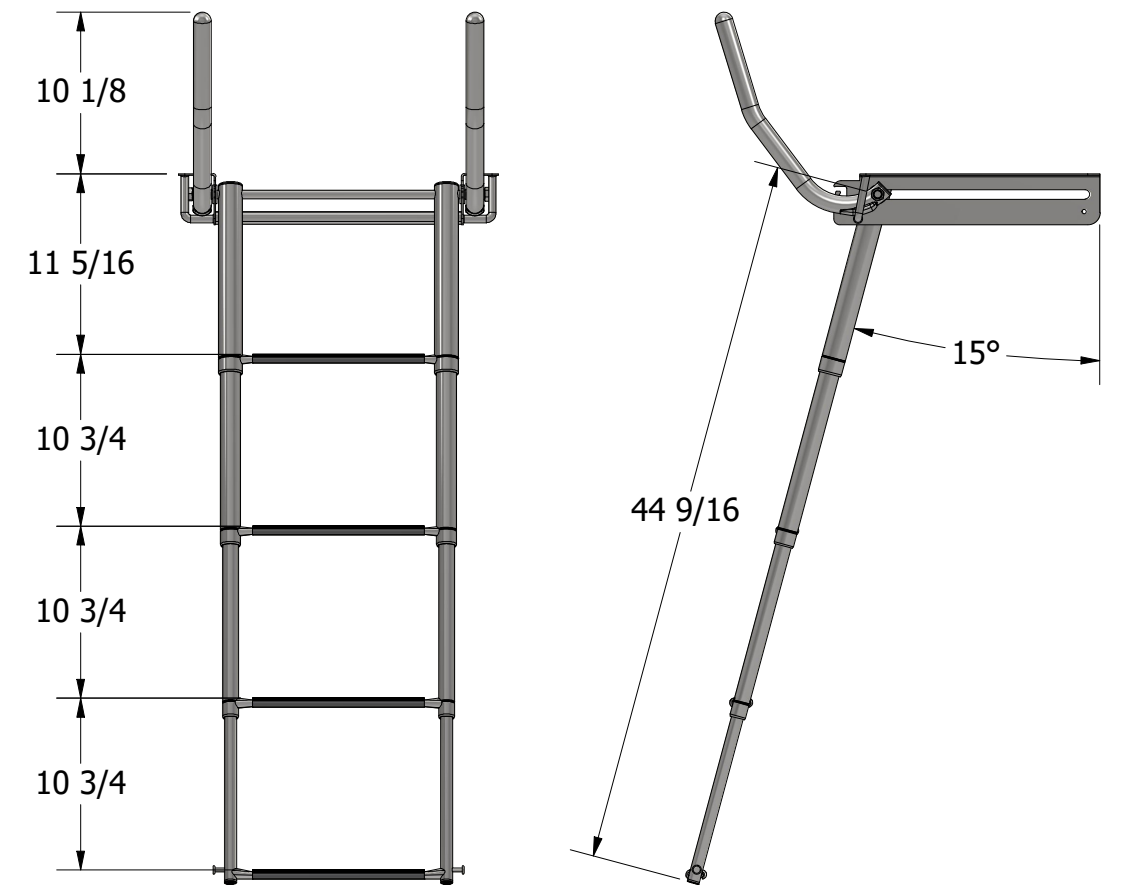


NOTES:

1. MATERIAL: 316SS
2. FINISH: HIGH POLISH



STOWED VIEW



DEPLOYED VIEW  
SCALE 1 : 12

UNLESS OTHERWISE SPECIFIED:  
BREAK ALL SHARP EDGES  
DIMENSIONS ARE IN INCHES  
TOLERANCES:  
FRACTIONAL:  $\pm 1/16$   
DECIMAL: X.X  $\pm .05$   
          X.XX  $\pm .03$   
          X.XXX  $\pm .010$   
ANGULAR:  $\pm 3^\circ$   
FINISH: 120Ra

**PROPRIETARY AND CONFIDENTIAL**  
THE INFORMATION CONTAINED IN THIS  
DRAWING IS THE SOLE PROPERTY OF WHITE  
WATER MARINE HARDWARE. ANY REPRODUCTION  
IN PART OR AS A WHOLE WITHOUT WRITTEN  
PERMISSION IS PROHIBITED.



**WHITE WATER**  
MARINE HARDWARE

TITLE

WIDE UNDER PLATFORM LADDER WITH GRAB RAILS

PART NUMBER: B00351UFG-WH

SIZE  
B

DRAWING NO.

WWMH-B00351UFG-WH

REV  
0

SCALE 1 : 4

DRAWN KSR

DATE 6/16/2025

SHEET 1 OF 1